

# SIEMENS

## Indoor/Outdoor Service Entrance Module

Catalog Number

- WB1700C**  
 **WB1700CU**

Enclosure

**Type 3R**

### Module Rating:

700 Amps, Max; See main breaker for actual rating.  
 120/240 Volts~, 1 Phase, 3 Wire  
 208Y/120 Volts~, 1 Phase, 3 Wire (from 3 Phase, 4 Wire network)

For installation by Qualified Person in accordance with all local electrical codes and/or the National Electrical Code ®.

**Suitable Only For Use As Service Equipment** unless bond strap is removed and ground lug is relocated to back of enclosure. See schematic. Apply appropriate label provided next to breaker handle.

For overhead or underground service. When LLP1200 is installed, installation is underground only.

### Use 75°C Copper or Aluminum Conductors.

Terminals A, B, and N:  
 Wire size (3) 1/0-500 kcmil CU/AL. Torque terminals to 375 lb.in.

Ground terminal G: Wire size #4-250 kcmil. Torque terminal to 250 lb.-in.

Circuit breaker trip position is indicated by handle position midway between ON and OFF. To reset, move handle to OFF position, then turn ON.

### Short Circuit Current Rating

This device has a maximum short circuit current rating of 100,000 amps RMS symmetrical at 120/240 Volts ~. The actual short circuit current rating is limited to the interrupting capacity of the circuit breaker installed. Replacement breakers must be manufactured by Siemens and must be of the correct type and rating as indicated in the table below. Use of other circuit breakers in this device will void the warranty.

Breaker Type	Rating
MXD6	65k AIC
HMXD6	100k AIC

USE ONLY NON-INTERCHANGEABLE TRIP BREAKER TYPES

See adjacent labels for additional marking information.

49311165

Siemens Industry, Inc. Norcross, Georgia U.S.A.

D

409000140101 Rev.B

© The National Electrical Code is a registered trademark of the National Fire Protection Association.  
 © 2009 Copyright Siemens Industry, Inc.

# SIEMENS

### Siemens Accessories

Hub Cover Plate .....	EC56933S
GND Bar Kit .....	ECLX069M
Breaker Lug Kit (factory installed) ..	LK13500 (kit includes 3 lugs)
Alternate Breaker Lug Kit .....	LK13750 - (3) 500-750 kcmil, Torque 375 lb.-in. (kit includes 3 lugs)
Lug Landing Pad* .....	LLP1200 (lugs ordered separately)
	UNDERGROUND USE ONLY

\*Kit contains mounting instructions and NEMA stud pattern for use with mechanical and compression lugs. See table below for recommended lugs.

Connect Modules Using:	Cat. No.	Torque
Single Bolt Joint	SBJ1	400-480 lb-in (35-40 ft.-lb.)
Quick Connect	QC1	400-440 lb-in (35-36 ft.-lb.)

Lugs for Phase and Neutral Connections (not supplied)					
NEMA Lug <sup>①</sup>	MFG	Wire Range	Type	No. Wires per phase	Torque (lb.-in.)
LK12600N2	Siemens	#2-600 kcmil	Mechanical	2	375
LK12750N2	Siemens	300-750 kcmil	Mechanical	2	500
LK13500N2	Siemens	1/0-500 kcmil	Mechanical	1	375 ②
				2	500 ②
2ACL-500	ILSCO	500 kcmil	Compression	3	NA ③
2ACL-600	ILSCO	600 kcmil	Compression	2	NA ③
2ACL-750	ILSCO	750 kcmil	Compression	2	NA ③

- ① Order one mechanical lug kit for main breaker and neutral conversions. Contact lug manufacturer for compression lug quantities supplied for each kit.
- ② Kit contains more than one lug type. Reference kit instruction sheet for the actual torque value for each lug type.
- ③ See lug manufacturer's instruction sheet supplied with the connector for tool, die, and number of crimps.

### IMPORTANT - for use with:

Module	Siemens Series#	Murray Series#
Main Breakers .....	(W)MC, WB, WEB .....	DB W
Switches .....	WMP, WMS, WS, WES .....	DPT_W, DT_W
Tap/Terminal Boxes ..	WMTB, WTB, WET .....	DTB_W
Pull Boxes .....	WMMB, WPB, WAPB .....	DPB_W
Meter Module .....	WMM, WxMM, WMT, WML, WMK ..	DG_W, DC_W, DL_W
Extension Box .....	WMEX, WSP .....	DS
Bussed Elbow .....	(W)BE .....	DL

### Use HD Type Hubs if required

Trade Size (in)	Catalog No.
3" .....	EC56856
3-1/2" .....	EC56857
4" .....	EC56858

### Equipment Ground Bars

Small Terminals		Large Terminals	
Wire Range / Torque		Wire Range / Torque	
10-14 AWG ..	20 lb-in	10-14 AWG ..	35 lb-in
8 AWG .....	25 lb-in	8 AWG .....	40 lb-in
6 AWG .....	35 lb-in	1/0-6 AWG ..	45 lb-in

**Important:** Do not allow petroleum based (hydrocarbon) sprays, chemicals, solvents or any paint to contact interior components. Petroleum based chemicals can cause degradation of electrical insulating materials.

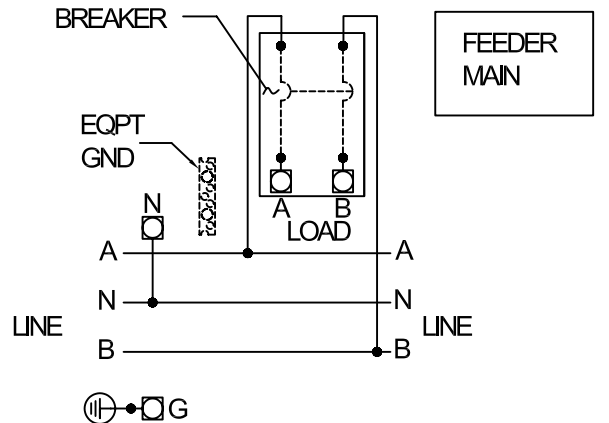
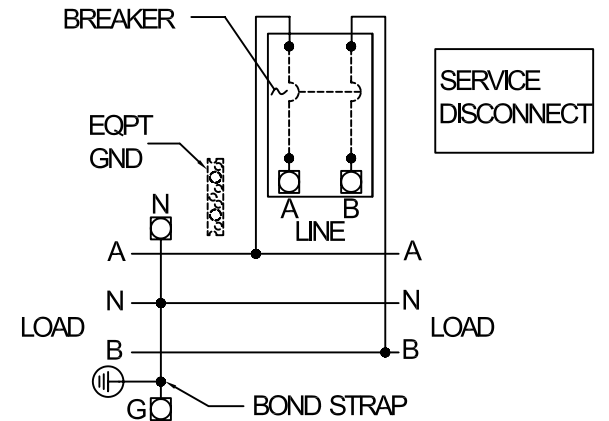
49311158

Siemens Industry, Inc. Norcross, Georgia U.S.A.

D

40900010201 Rev.C

© 2009 Copyright Siemens Industry, Inc.



4099958 REV. A