

Installation Instructions

	⚠ DANGER
	Hazardous Voltage. Will cause death, serious injury or substantial property damage.
	Turn off power supplying this equipment before working inside.

LK13750 Kit Contents:

- (3) Lugs with wire binding screws
- (6) Mounting Screws
- (6) Lockwashers

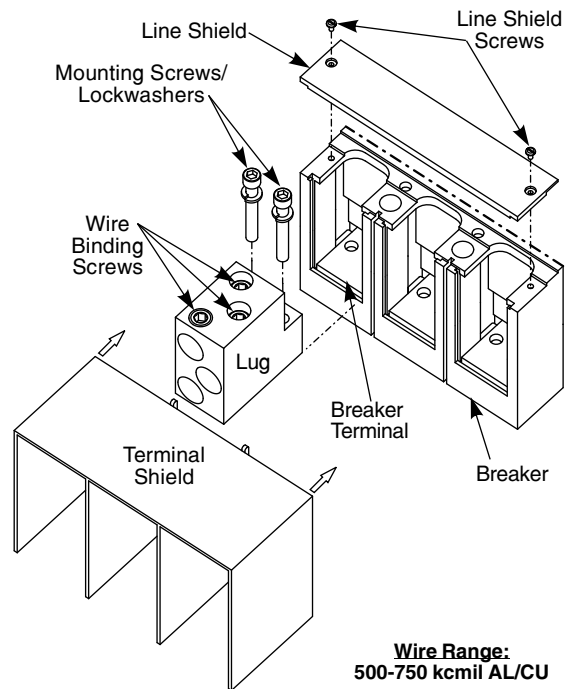
LK33750 Kit Contents:

- (4) Lugs with wire binding screws
- (8) Mounting Screws
- (8) Lockwashers

Note: This instruction outlines the recommended general installation procedure. For installation by a qualified person, as defined by all local electrical codes and/or the National Electrical Code®.

For Use with: MD and ND FRAME MOLDED CASE CIRCUIT BREAKERS.

1. Turn off and lock off the power supplying the device before working inside.
2. Move breaker handle to OFF position, or depress PUSH TO TRIP button. Breaker must be in OFF or TRIPPED position before continuing.
3. Remove Line Shield and Terminal Shield from breaker.
4. Mount Lugs to Breaker Terminals with Mounting Screws/Lockwashers. Recommended torque 228 lb.-in.
5. Remove insulation from end of wire and fully insert bare end of wire into Lug.
6. Insert and tighten Wire Binding Screws to 375 lb.-in.
7. Replace Line Shield and Terminal Shield.



Wire Range:
500-750 kcmil AL/CU