

Installation Instructions



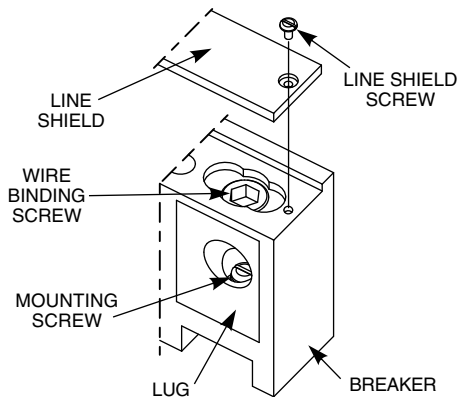
Note: This instruction outlines the recommended general installation procedure. For installation by a qualified person, as defined by all local electrical codes and/or the National Electrical Code®.

LK11750 Kit Contents:

- (3) Lugs with wire binding screws
- (3) Mounting screws

LK31750 Kit Contents:

- (4) Lugs with wire binding screws
- (4) Mounting screws



Wire Range:

500-600 kcmil CU, 500-750 kcmil AL

For Use with: JD and LD FRAME MOLDED CASE CIRCUIT BREAKERS.

1. Turn off and lock off the power supplying the device before working inside.
2. Move breaker handle to OFF position, or depress PUSH TO TRIP button. Breaker must be in OFF or TRIPPED position before continuing.
3. Remove Line Shield from breaker.
4. Place Lug on circuit breaker terminal. Position so slots on the Lug engage terminal tabs.
5. Pass Mounting Screw through Lug and thread screw into circuit breaker terminal. Tighten Mounting Screw to 228 lb.-in. to securely attach Lug.
6. Remove insulation from end of wire and fully insert bare end of wire into Lug.
7. Insert and tighten Wire Binding Screw to 500 lb.-in.
8. Replace Line Shield.