

CATALOG NUMBER

## ECMFS

### Meter Socket Replacement Kit

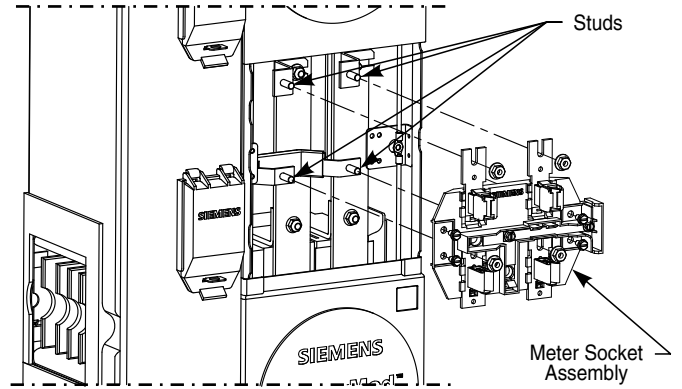


**⚠ DANGER**  
**Hazardous Voltage.**  
 Will cause death, serious injury or substantial property damage.  
 Turn off power supplying this equipment before working inside.

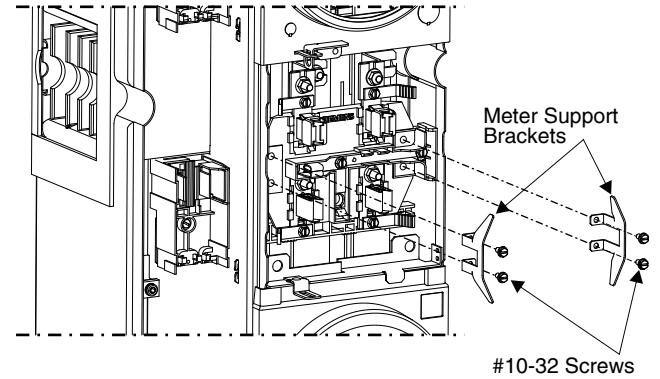
**Kit Contents:**

- (1) Meter Socket Assembly
- (4) Screws, #10-32 x 3/8
- (4) Hex Nuts, 1/4-20

**Ring Style Shown**



**Ringless Style Shown**



**Note:** This instruction outlines the recommended installation procedure. For installation by a qualified person, as defined by all local electrical codes and/or the National Electrical Code ®.

1. Turn off and lock off the power supplying the device before working inside.
2. Clean and prepare surface; remove any old or damaged material before installing replacement part. Do not allow petroleum based (hydrocarbon) sprays, chemicals, solvents or any paint to contact plastic components.
3. Install Meter Socket Assembly into position on studs as shown. Secure with (4) #10-32 screws. Tighten (4) 1/4-20 nuts (7/16" drive) to 60-65 lb.-ins.
4. Re-attach Potential Wires, secure into place with #10-32 screw, torque to 20-25 lb.-ins.
5. If applicable, undamaged Fifth Jaw and Bypass Horns can be removed from the original socket and installed on the replacement socket. If these parts are damaged, order replacements shown below. See Figure 1.

Fifth Jaw Kit: Catalog No. ECMF5  
 Horn Bypass Kit: Catalog No. ECMFH

**Figure 1**

**View Shown with Optional Horn Bypass and Fifth Jaw Installed**

