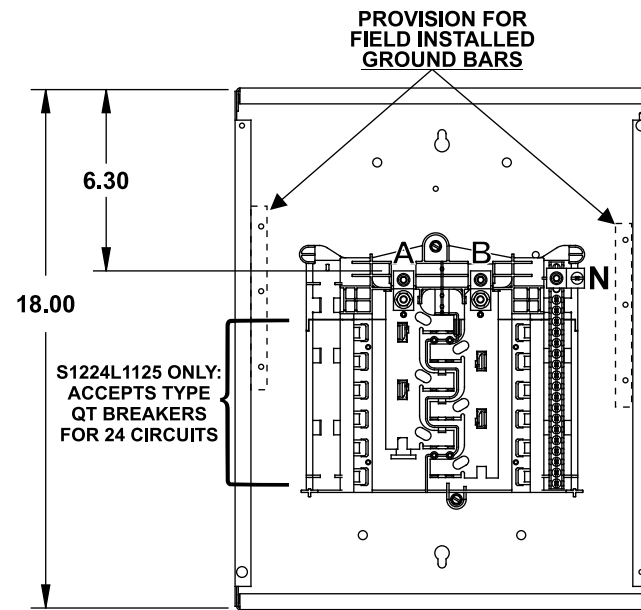


## Catalog Numbers, Features and Ratings

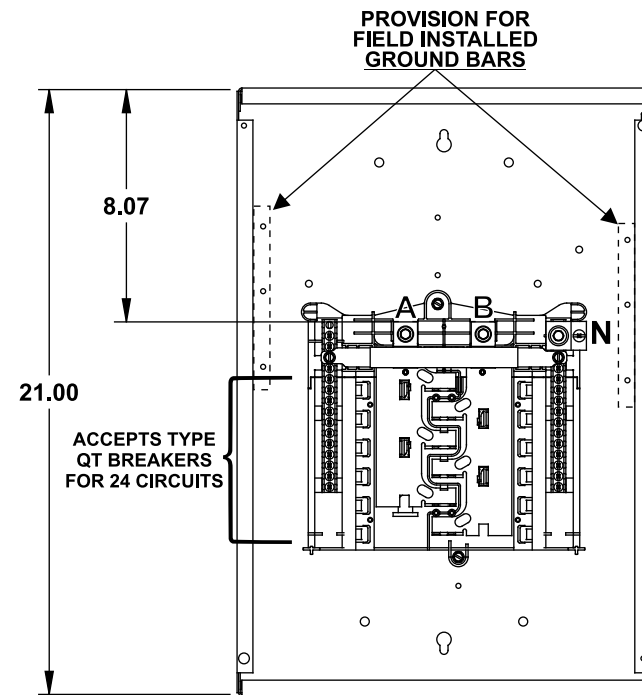
- 1 PHASE, 3 WIRE, 120/240V ~
- 100K AIC MAX. RATED  
(SEE WIRING DIAGRAM FOR DETAILS)
- MAIN LUG ONLY
- INVERTIBLE
- TYPE N1 INDOOR ENCLOSURE
- ANSI 61 GRAY POWDER COATED

Catalog Number	ENCLOSURE DIMS			Amps Max	Number Spaces	Number Circuits	Bus Bar Material	Bus Bar Plating	Percent Neutrals
	L	W	D						
S1212L1125	18.00	14.25	3.88	125	12	12	Aluminum	Tin Plated	75%
S1224L1125	18.00	14.25	3.88	125	12	24	Aluminum	Tin Plated	75%
S1224L1200	21.00	14.25	3.88	200	12	24	Aluminum	Tin Plated	100%
S1624L1125	21.00	14.25	3.88	125	16	24	Aluminum	Tin Plated	75%

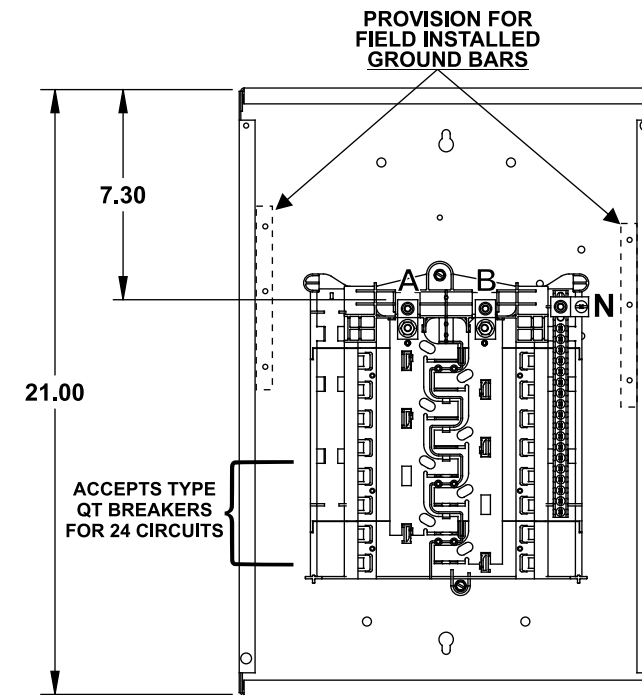
**S1212L1125**  
**S1224L1125**



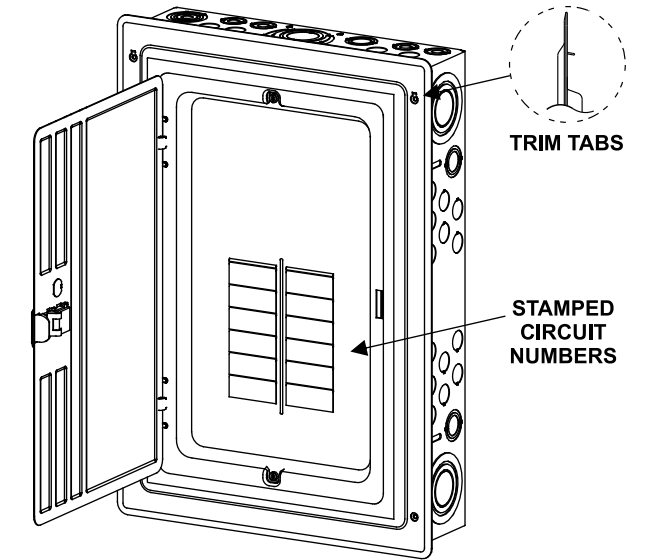
**S1224L1200**



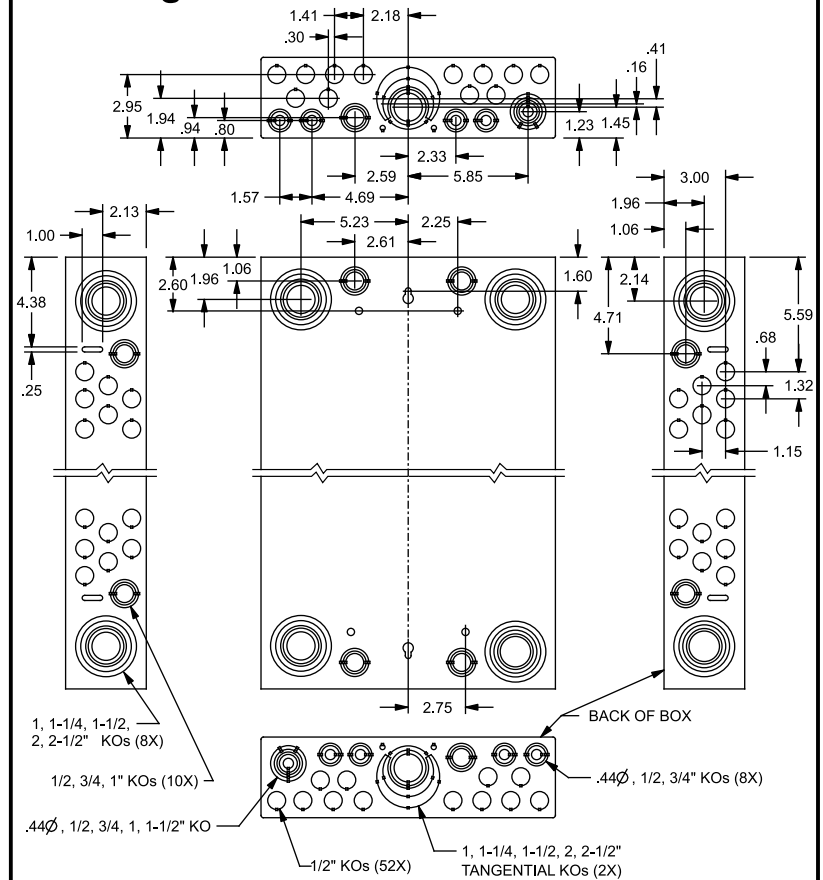
**S1624L1125**



## Trim/Door Detail



## KO Diagram



## TERMINAL WIRE SIZES AND TORQUES

**S1212L1125**  
**S1224L1125**  
**S1624L1125**

**USE COPPER OR ALUMINUM 60°/75°C WIRE**  
SEE BREAKER MARKINGS FOR WIRE SIZE AND TORQUE REQUIREMENTS

TERMINALS	WIRE	TORQUE
A, B, N	2/0-4 AWG	110 LB-INS
NEUTRAL/GROUND BARS (USE TYPE EC1GB or EC2GB GND BAR KIT ACCESSORY)	10-14 CU/10-12 AL 8 AWG	20 LB-INS 25 LB-INS
	6-4 AWG	35 LB-INS
GROUND CONDUCTORS ONLY	(2)or(3) 14 AWG	20 LB-INS
	(2) 12-10 AWG	20 LB-INS
ECLK1-2 NEUTRAL LUG KIT	2/0-4 AWG	45 LB-INS
ECLK2 NEUTRAL LUG KIT	2/0-4 AWG	135 LB-INS
MAIN LUG TO BUS CONNECTION (1/4-20 NUT)		45 LB-INS
BONDING SCREW		45 LB-INS

**S1224L1200**

**USE COPPER OR ALUMINUM 60°/75°C WIRE**  
SEE BREAKER MARKINGS FOR WIRE SIZE AND TORQUE REQUIREMENTS

TERMINALS	WIRE	TORQUE
A, B	300 kcmil - 4 AWG	275 LB-INS
N	4/0 - 4 AWG CU; 300kcmil - 4 AWG AL	275 LB-INS
NEUTRAL/GROUND BARS (USE TYPE EC1GB or EC2GB GND BAR KIT ACCESSORY)	10-14 CU/10-12 AL 8 AWG	20 LB-INS 25 LB-INS
	6-4 AWG	35 LB-INS
GROUND CONDUCTORS ONLY	(2)or(3) 14 AWG	20 LB-INS
	(2) 12-10 AWG	20 LB-INS
ECLK1-2 NEUTRAL LUG KIT	2/0-4 AWG	45 LB-INS
ECLK2 NEUTRAL LUG KIT	2/0-4 AWG	135 LB-INS
ECLK3 NEUTRAL LUG KIT	300 kcmil - 1 AWG	340 LB-INS
MAIN LUG TO BUS CONNECTION (1/4-20 NUT)		45 LB-INS
BONDING SCREW		45 LB-INS

## ACCESSORIES

REFER TO WIRING DIAGRAM FOR  
CORRECT ACCESSORY USAGE

ACCESSORIES	
DESCRIPTION	CAT. NO.
DOOR LOCK	ECQFL2
FILLER PLATE, 1"	QF3
BREAKER HOLD-DOWN	ECMBR2
BONDABLE GROUND LUG	ECLKB1
SUBFEED LUG KIT	ECLK125 ECLK225
100-125 AMP MAIN LUG KIT	ECMLK125
150-225 AMP MAIN LUG KIT	ECMLK225
SURF. MOUNT SPACER KIT	ECSMK1
ARC FLASH LABEL	EC AFL
STANDBY PWR INTERLOCK KITS: ECSBP01, ECSBP02, ECSBP05, ECSBP06, ECSBP07	

GROUND BAR KITS	
DESCRIPTION	CAT. NO.
TYPE EC1GB KIT, 8 SCREWS	EC1GB8
TYPE EC1GB KIT, 8 SCREWS, 2/0 LUG	EC1GB82
TYPE EC2GB KIT, 12 SCREWS	EC2GB12
TYPE EC2GB KIT, 12 SCREWS, 2/0 LUG	EC2GB122
TYPE EC2GB KIT, 15 SCREWS	EC2GB15
TYPE EC2GB KIT, 15 SCREWS, 2/0 LUG	EC2GB152

© 2011 Copyright Siemens Industry, Inc.

**SIEMENS**  
Siemens Industry, Inc.

**ES Series Load Centers™**

Description: **1 Phase, Indoor,  
12-16 Position, Main Lug Cut Sheet**

KAM 6/20/11 DO NOT SCALE DRAWING Dwg No: **1IN 12-16 ES ML**