

CATALOG NUMBER

EC3PMFP1

electricCenter
ACCESSORIES

QJ Main Breaker Filler Plate

For Use on Siemens
3 Phase PL™ and ES™ Series
Load Centers



INSTALLATION INSTRUCTIONS



⚠ DANGER

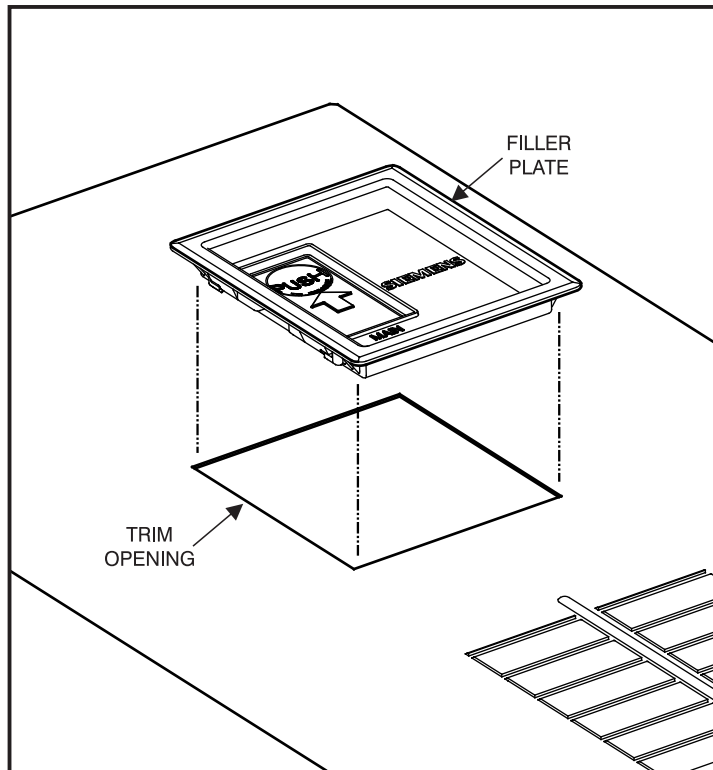
Hazardous Voltage.
Will cause death, serious injury
or substantial property damage.

Turn off power supplying this
equipment before working inside.

⚠ SAFETY INSTRUCTIONS

Note: This instruction outlines the
recommended installation procedure.
For installation by a qualified person,
as defined by all local electrical codes
and/or the National Electrical Code®.

1. Turn off and lock out the power supplying the load center before working inside.
2. All unused breaker twistout openings must be closed with filler plates.
3. To install filler plate, first place either side into trim opening, then push in on the opposite side until it snaps into place.



Siemens Industry, Inc. Norcross, Georgia U.S.A.

481000280101 Rev.A

® The National Electrical Code is a registered trademark of the National Fire Protection Association.

© 2011 Copyright Siemens Industry, Inc.

Assembled in Mexico