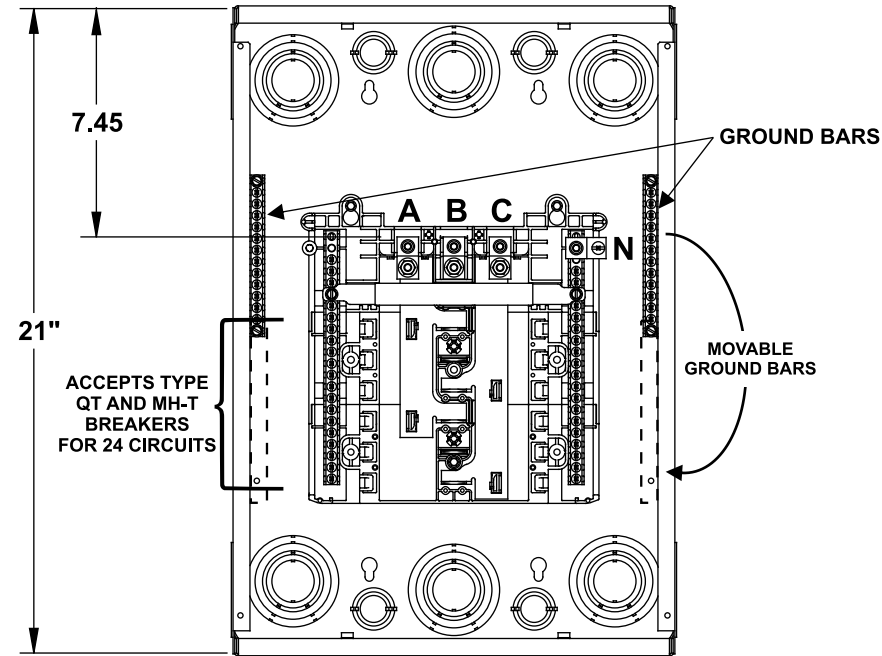


## Catalog Numbers, Features and Ratings

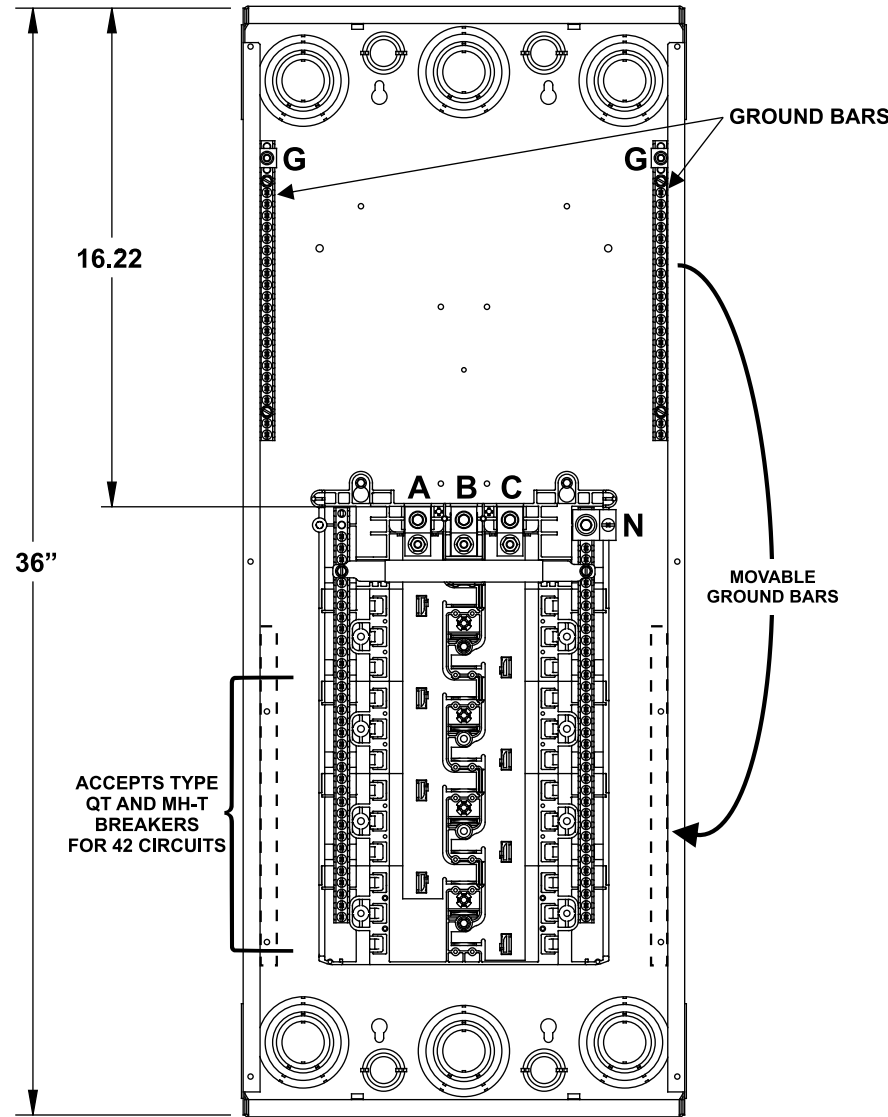
- 3 PHASE, 3 OR 4 WIRE, 240V ~ MAX.
- RATED UP TO 100K AIC (SEE WIRING DIAGRAM FOR DETAILS)
- INVERTIBLE
- TYPE N1 INDOOR ENCLOSURE
- ANSI 61 GRAY POWDER COATED

Catalog Number	ENCLOSURE DIMS			Amps Max	Number Spaces	Number Circuits	Bus Bar Material	Bus Bar Plating	Percent Neutrals
	L	W	D						
P1224L3125CU	21.00	14.25	3.88	125	12	24	Copper	Tin Plated	150%
P2442L3200CU	36.00	14.25	3.88	200	24	42	Copper	Tin Plated	150%

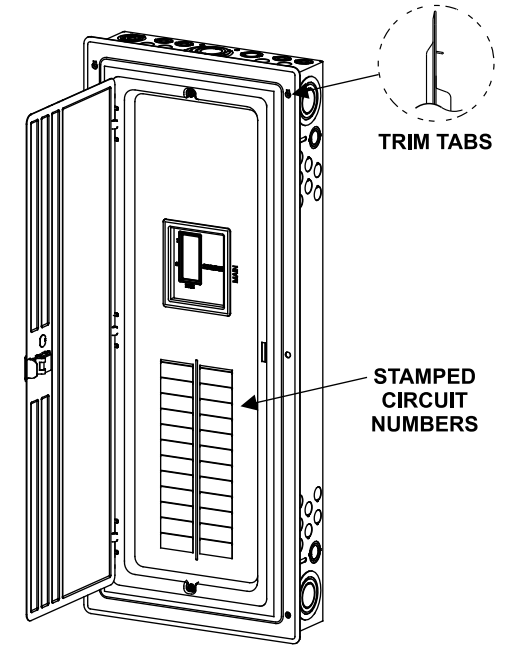
### P1224L3125CU NOT CONVERTIBLE



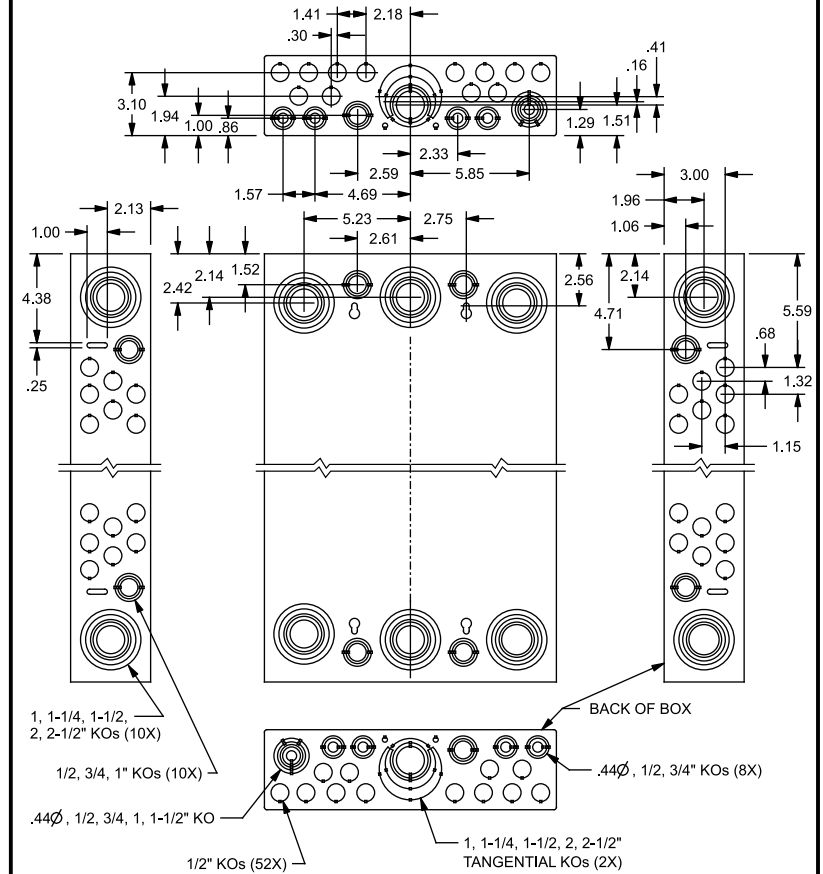
### P2442L3200CU CONVERTIBLE TO MAIN BREAKER



## Trim/Door Detail



## KO Diagram



## TERMINAL WIRE SIZES AND TORQUES

### P1224L3125CU

USE COPPER OR ALUMINUM 60°/75°C WIRE  
SEE BREAKER MARKINGS FOR WIRE SIZE AND TORQUE REQUIREMENTS.

TERMINALS	WIRE	TORQUE
A, B, C	2/0 - 4 AWG	110 LB-INS
N, G	2/0 - 6 AWG	110 LB-INS
NEUTRAL/GROUND BARS (USE TYPE EC2GB GROUND BAR KIT ACCESSORY)	10-14 CU/10-12 AL 8 AWG 6-4 AWG	20 LB-INS 25 LB-INS 35 LB-INS
GROUND CONDUCTORS ONLY	(2)or(3) 14 AWG (2) 12-10 AWG	20 LB-INS 20 LB-INS
ECLK1-2 NEUTRAL LUG KIT	2/0 - 4 AWG	45 LB-INS
ECLK2 NEUTRAL LUG KIT	2/0 - 4 AWG	135 LB-INS
MAIN LUG TO BUS CONNECTION (1/4-20 NUT)		45 LB-INS
BONDING SCREW		45 LB-INS

### P2442L3200CU

USE COPPER OR ALUMINUM 60°/75°C WIRE  
SEE BREAKER MARKINGS FOR WIRE SIZE AND TORQUE REQUIREMENTS.

TERMINALS	WIRE	TORQUE
A, B, C, N	300 kcmil - 4 AWG	275 LB-INS
G	2/0 - 6 AWG	110 LB-INS
NEUTRAL/GROUND BARS (USE TYPE EC3GB GROUND BAR KIT ACCESSORY)	10-14 CU/10-12 AL 8 AWG 6-4 AWG	20 LB-INS 25 LB-INS 35 LB-INS
GROUND CONDUCTORS ONLY	(2)or(3) 14 AWG (2) 12-10 AWG	20 LB-INS 20 LB-INS
ECLK1-2 NEUTRAL LUG KIT	2/0 - 4 AWG	45 LB-INS
ECLK2 NEUTRAL LUG KIT	2/0 - 4 AWG	135 LB-INS
ECLK3 NEUTRAL LUG KIT	300 kcmil - 1 AWG	340 LB-INS
MAIN LUG/MAIN BRKR TO BUS CONNECTION (1/4-20 NUT)		45 LB-INS
BONDING SCREW		45 LB-INS

## ACCESSORIES

REFER TO WIRING DIAGRAM FOR  
CORRECT ACCESSORY USAGE

ACCESSORIES	
DESCRIPTION	CAT. NO.
DOOR LOCK	ECOF12
FILLER PLATE, 1"	ECOF3
QJ MB FILLER PLATE	EC3PMFP1
BREAKER HOLD-DOWN	ECMBR2
100-125 AMP MAIN LUG	ECMLK3125
150-225 AMP MAIN LUG	ECMLK3225
100A MAIN BREAKER KIT	MBK3100
BONDABLE GROUND LUG	ECLKB1
SUBFEED LUG KIT	ECLK2125 ECLK2225 ECLK3225
SURF. MOUNT SPACER KIT	ECSMK1
ARC FLASH LABEL	ECAFL

MAIN BREAKER KITS		
DESCRIPTION	CATALOG NO.	
MAIN BRKR KITS	150A	200A
10K AIC	MBK3150	MBK3200
22K AIC	MBK3150H	MBK3200H
42K AIC	MBK3150HH	MBK3200HH

GROUND BAR KITS	
DESCRIPTION	CAT. NO.
TYPE EC2GB KIT, 12 SCREWS	EC2GB12
TYPE EC2GB KIT, 12 SCREWS, 2/0 LUG	EC2GB122
TYPE EC2GB KIT, 15 SCREWS	EC2GB15
TYPE EC2GB KIT, 15 SCREWS, 2/0 LUG	EC2GB152
TYPE EC3GB KIT, 21 SCREWS	EC3GB21
TYPE EC3GB KIT, 21 SCREWS, 2/0 LUG	EC3GB212
TYPE EC3GB KIT, 27 SCREWS	EC3GB27
TYPE EC3GB KIT, 27 SCREWS, 2/0 LUG	EC3GB272
TYPE EC3GB KIT, 30 SCREWS	EC3GB30
TYPE EC3GB KIT, 30 SCREWS, 2/0 LUG	EC3GB302
TYPE EC3GB KIT, 35 SCREWS, 2/0 LUG	EC3GB352

© 2011 Copyright Siemens Industry, Inc.

**SIEMENS**  
Siemens Industry, Inc.

**PL Series Load Centers™**

Description: **3 Phase, Indoor,  
12-24 Position, Main Lug Cut Sheet**

KAM 7/21/11 DO NOT SCALE DRAWING Dwg No: **3IN 12-24 PL ML**