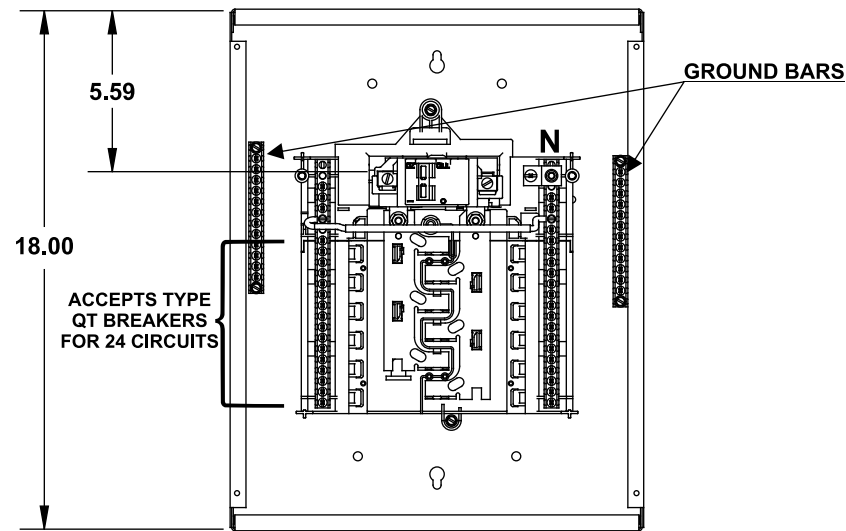


## Catalog Numbers, Features and Ratings

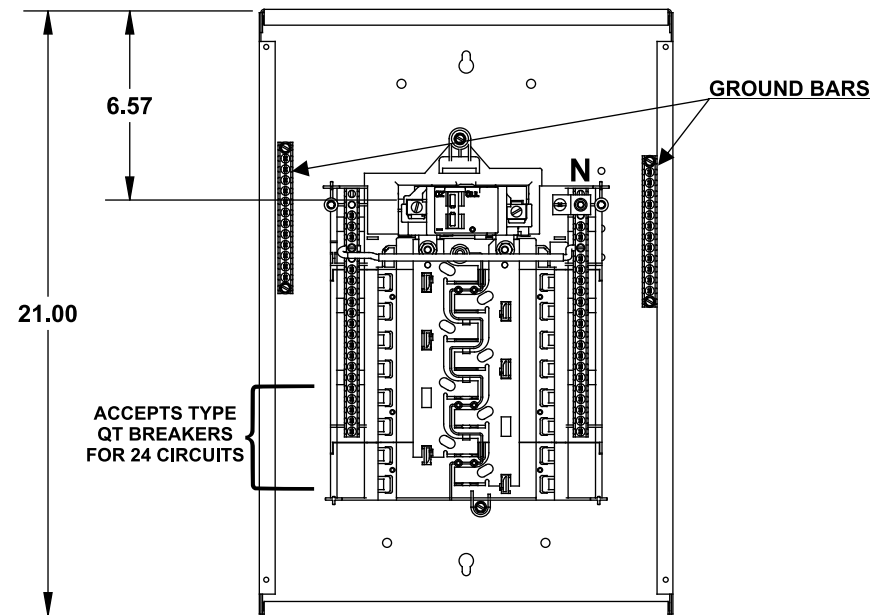
- 1 PHASE, 3 WIRE, 120/240V ~
- 22K AIC MAIN BREAKER FACTORY INSTALLED  
(SEE WIRING DIAGRAM FOR DETAILS)
- CONVERTIBLE TO MAIN LUG
- INVERTIBLE
- TYPE N1 INDOOR ENCLOSURE
- ANSI 61 GRAY POWDER COATED

Catalog Number	ENCLOSURE DIMS			Amps Max	Number Spaces	Number Circuits	Bus Bar Material	Bus Bar Plating	Percent Neutrals
	L	W	D						
P1224B1100CU	18.00	14.25	3.88	100	12	24	Copper	no	150%
P1624B1100CU	21.00	14.25	3.88	100	16	24	Copper	no	150%

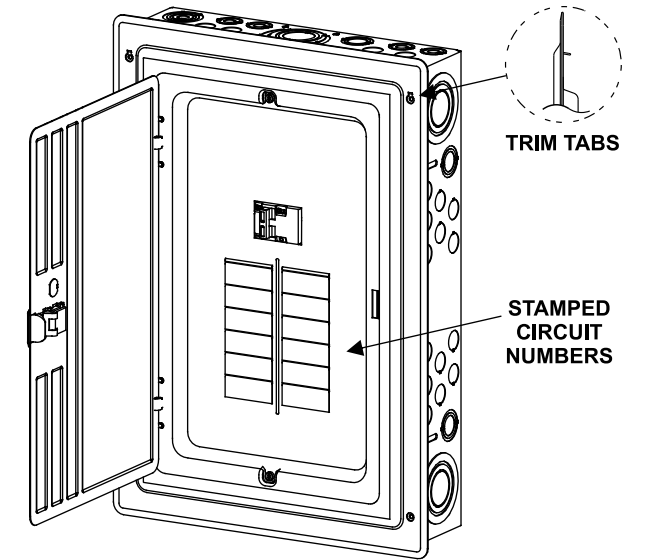
**P1224B1100CU**



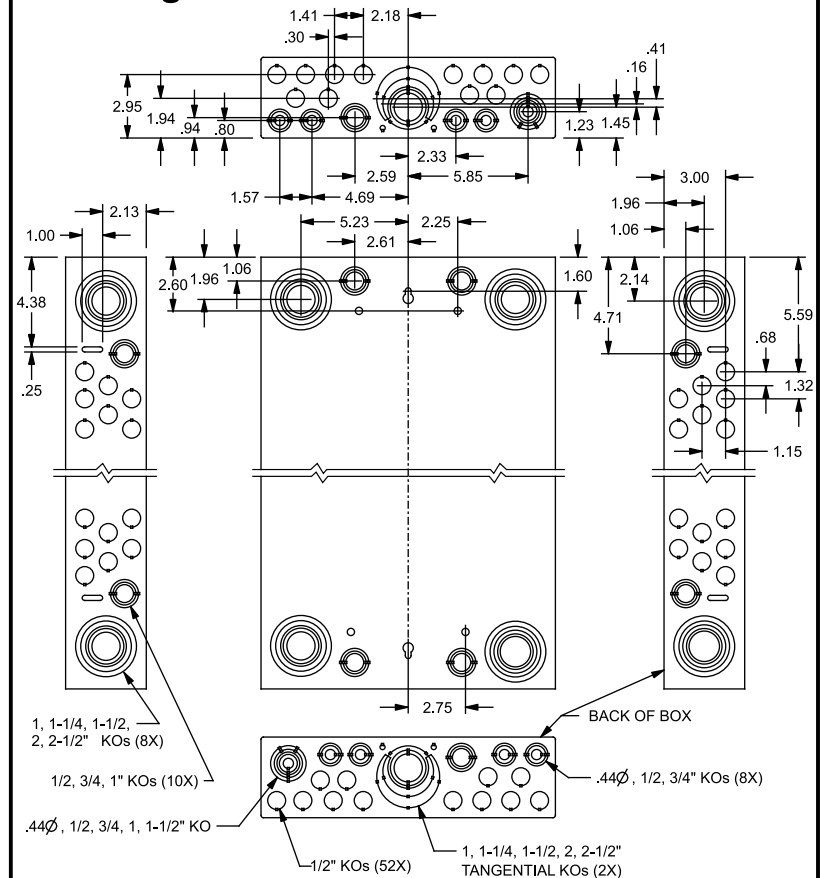
**P1624B1100CU**



## Trim/Door Detail



## KO Diagram



## TERMINAL WIRE SIZES AND TORQUES

**P1224B1100CU**

USE COPPER OR ALUMINUM 60°/75°C WIRE

SEE BREAKER MARKINGS FOR WIRE SIZE AND TORQUE REQUIREMENTS

TERMINALS	WIRE	TORQUE
N	1/0-4 AWG CU; 2/0-4 AWG AL	110 LB-INS
MAIN BREAKER	1/0 AWG CU; 3/0 AWG AL MAX.	See Breaker
NEUTRAL/GROUND BARS (USE TYPE EC1GB or EC2GB GND BAR KIT ACCESSORY)	10-14 CU/10-12 AL 8 AWG 6-4 AWG	20 LB-INS 25 LB-INS 35 LB-INS
GROUND CONDUCTORS ONLY	(2)or(3) 14 AWG (2) 12-10 AWG	20 LB-INS 20 LB-INS
ECLK1-2 NEUTRAL LUG KIT	2/0-2 AWG	45 LB-INS
ECLK2 NEUTRAL LUG KIT	2/0-4 AWG	135 LB-INS
MAIN LUG/MAIN BRKR TO BUS CONNECTION (1/4-20 NUT)		45 LB-INS
BONDING SCREW		45 LB-INS

**P1624B1100CU**

USE COPPER OR ALUMINUM 60°/75°C WIRE

SEE BREAKER MARKINGS FOR WIRE SIZE AND TORQUE REQUIREMENTS

TERMINALS	WIRE	TORQUE
N	2/0-4 AWG	110 LB-INS
NEUTRAL/GROUND BARS (USE TYPE EC1GB or EC2GB GND BAR KIT ACCESSORY)	10-14 CU/10-12 AL 8 AWG 6-4 AWG	20 LB-INS 25 LB-INS 35 LB-INS
GROUND CONDUCTORS ONLY	(2)or(3) 14 AWG (2) 12-10 AWG	20 LB-INS 20 LB-INS
ECLK1-2 NEUTRAL LUG KIT	2/0-2 AWG	45 LB-INS
ECLK2 NEUTRAL LUG KIT	2/0-4 AWG	135 LB-INS
MAIN LUG/MAIN BRKR TO BUS CONNECTION (1/4-20 NUT)		45 LB-INS
BONDING SCREW		45 LB-INS

## ACCESSORIES

REFER TO WIRING DIAGRAM FOR  
CORRECT ACCESSORY USAGE

DESCRIPTION	CAT. NO.
DOOR LOCK	ECDFL2
FILLER PLATE, 1"	QF3
BREAKER HOLD-DOWN	ECMBR2
MAIN BREAKER FILLER PLATE	ECMBF125
BONDABLE GROUND LUG	ECLKB1
SUBFEED LUG KIT	ECLK2125
SURF. MOUNT SPACER KIT	ECSMK1
ARC FLASH LABEL	ECAFL
STANDBY PWR INTERLOCK KITS:	
ECSBP01, ECSBP02, ECSBP04	

### MAIN LUG / MAIN BREAKER KITS

DESCRIPTION	CAT. NO.
100 AMP MAIN BREAKER	MBK100A
100-125 AMP MAIN LUG	ECMLK125

### GROUND BAR KITS

DESCRIPTION	CAT. NO.
TYPE EC1GB KIT, 8 SCREWS	EC1GB8
TYPE EC1GB KIT, 8 SCREWS, 2/0 LUG	EC1GB82
TYPE EC2GB KIT, 12 SCREWS	EC2GB12
TYPE EC2GB KIT, 12 SCREWS, 2/0 LUG	EC2GB122
TYPE EC2GB KIT, 15 SCREWS	EC2GB15
TYPE EC2GB KIT, 15 SCREWS, 2/0 LUG	EC2GB152

© 2011 Copyright Siemens Industry, Inc.

**SIEMENS**  
Siemens Industry, Inc.

## PL Series Load Centers™

Description: **1 Phase, Indoor,  
12-16 Position, Main Breaker Cut Sheet**

KAM 6/20/11 DO NOT SCALE DRAWING Dwg No: **1IN 12-16 PL MB**