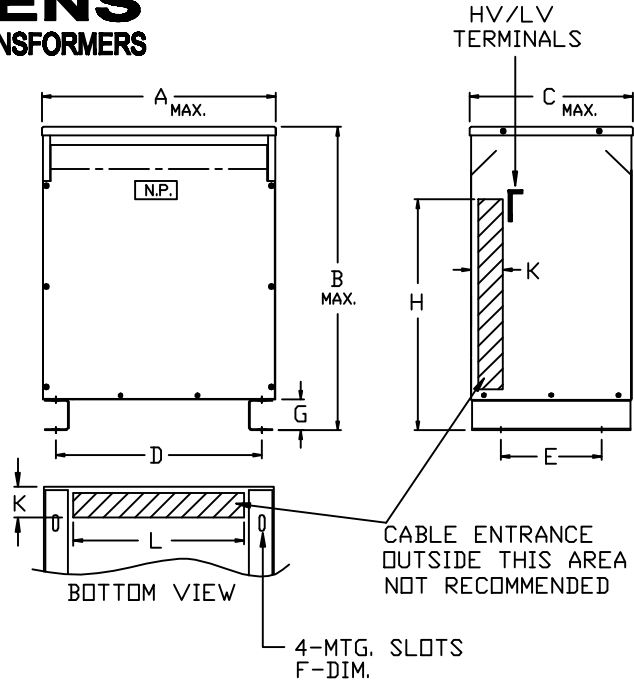


SIEMENS

DRY TYPE TRANSFORMERS

NOTES:

1. ALL UNITS ARE UL LISTED AND ARE DESIGNED IN ACCORDANCE WITH ANSI C89.2 AND NEMA ST-20 STANDARDS.
2. THESE TRANSFORMERS UTILIZE A UL RECOGNIZED 220°C INSULATION SYSTEM, TEMPERATURE RISE AS INDICATED IN THE TABLE.
3. TRANSFORMERS ARE DRY TYPE, CLASS AA, VENTILATED ENCLOSURE FOR INDOOR USE. OPTIONAL WEATHER KITS ARE AVAILABLE FOR ADAPTING THE UNIT FOR 3R USE WITHOUT VOIDING THE UL LABEL.
4. FOR LIFTING OTHER THAN WITH FORK TRUCK, REMOVE TOP COVER AND USE CORE CLAMPS FOR 112.5KVA & UP.
5. PAINT COLOR IS ANSI #61 GRAY.
6. FULL WIDTH COPPER ELECTROSTATIC SHIELD (OPTIONAL).
7. 6" REQUIRED CLEARANCE FROM THE WALLS.
8. HV/LV TERMINALS ARE TOP FRONT TERMINATED.



KVA	TEMP. RISE °C	NET WT. LBS.	DIMENSIONS IN INCHES									
			A	B	C	D	E	F	G	H	K	L
15	115	310	22.00	25.00	17.00	17.38	13.00	.56 x 1.13	3.00	13.00	3.00	15.00
30	115	400	25.00	28.00	18.50	20.75	14.50	.56 x 1.13	3.00	16.00	3.00	17.00
45	115	585	27.00	32.00	21.00	23.50	16.00	.56 x 1.13	3.00	18.00	3.00	20.00
75	115	775	29.00	38.00	23.00	25.50	18.00	.56 x 1.13	3.00	20.00	3.00	22.00
112.5	115	1000	33.00	42.00	26.00	29.50	21.00	.56 x 1.13	3.00	23.00	4.00	25.50
150	115	1315	35.00	46.00	30.00	31.50	25.00	.56 x 1.13	3.00	32.00	5.00	27.50
225	115	1665	35.00	52.00	30.00	31.50	25.00	.56 x 1.13	3.00	32.00	5.00	27.50
300	115	2460	48.00	60.00	33.00	42.00	27.00	.56 x 1.13	4.00	36.00	5.00	34.00
500	115	4300	52.00	72.00	40.00	34.00	42.00	.56 x 1.13	4.00	50.00	5.00	32.00
750	115	← N/A →										
1000	115	← N/A →										

KVA	QTY.	CATALOG NO.	VOLTAGE		TAPS	DRAWING
			PRIMARY	SECONDARY		
						<input type="checkbox"/> APPROVAL
						<input type="checkbox"/> RECORD
						<input type="checkbox"/> OTHER

CUST.	DWN. BY:	Siemens Industry, Inc.
	DATE:	
JOB	CHK. BY:	GENERAL PURPOSE TRANSFORMERS THREE-PHASE, 600 VOLTS CLASS, 60 HZ. K-FACTOR (13) RATED - ALUMINUM - TP1
P.O.	DATE:	
TIE	APVD. BY:	
S.O.	DATE:	DWG. NO. J-113
		REV. E
		DATE 08/09/10