

# Commercial/Residential Portable Generators

**A/C Rated output watts: 8000**  
**A/C Maximum output watts: 10,000**

Emissions certification: CSA



## Features

- Overhead valve industrial engine
- High performance alternator
- Steel fuel tank with fuel gauge
- Locking fold-down handles
- Never-flat wheel kit
- 1.25" hardened steel tube cradle
- Circuit breaker protected outlets
- Low tone muffler

## Customer connections

### Connection outlets

A: (4) 5-20R 120V

B: L14-30R Tiwst-lock 120/240V

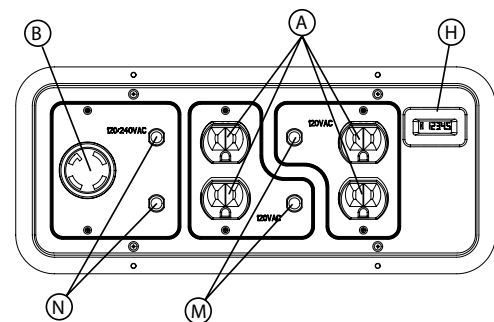
### Circuit breakers

M: (2) 20A

N: (2) 30A

### Other features

H: Hour meter with maint.



## Data Sheet

[www.usa.siemens.com/generators](http://www.usa.siemens.com/generators)

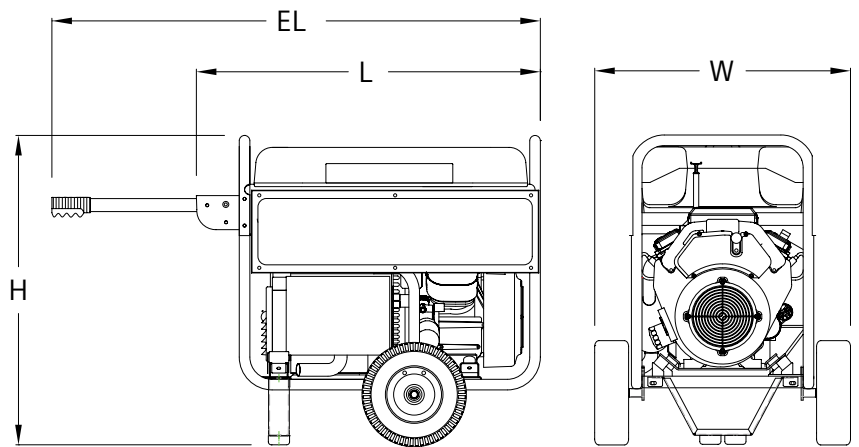
**SIEMENS**

## Specifications

Product series	PG008E
Configuration/emissions	CSA
A/C rated output watts:	8000
A/C maximum output watts:	10,000
A/C voltage	120/240VAC
A/C frequency	60 Hz
Rated 120/240 VAC amperage	33.3
Max 120/240 VAC amperage	41.7
Engine displacement	410cc
Engine type	OHVI
Engine RPM	3600
Recommended oil	5W30
Lubrication method	Full pressure
Choke type	Manual lever
Fuel shut off	Manual lever
Idle control	Full speed
Starting method	Electric/Manual
Battery	Included
Battery size	12VDC 10 Ahr
Low oil shutdown method	Low pressure
Start switch type	3-position
Switch location	On engine
Single-point lifting eye	N/A
Fuel gauge	Built-in
Fuel tank capacity (Gal)	8.00
Fuel tank capacity (Ltrs)	30.28
Run time at 50% (Hours)	8.00
Cord set	N/A
Handle style	Folding interlocked
Wheel type	9.5" Solid wheels
Maintenance kit	Sold separately

## Dimensions and weights

Length (L)	33.5
Width (W)	26.5
Height (H)	27.5
Extended length (EL)	47.0
Carton length	35.5
Carton width	26.5
Carton height	27.5
Unit Weight (lbs)	192.0
Shipping Weight (lbs)	205.0



Siemens Industry, Inc.  
 Building Technologies Division  
 5400 Triangle Parkway  
 Norcross, GA 30092

1-800-964-4114  
 info.us@siemens.com

©2010 Siemens Industry, Inc.  
 All Rights Reserved. Siemens is a registered trademark of Siemens AG. Product names mentioned may be trademarks or registered trademarks of their respective companies. Specifications are subject to change without notice.

RPFL-PG032-0110

[www.usa.siemens.com/generators](http://www.usa.siemens.com/generators)