

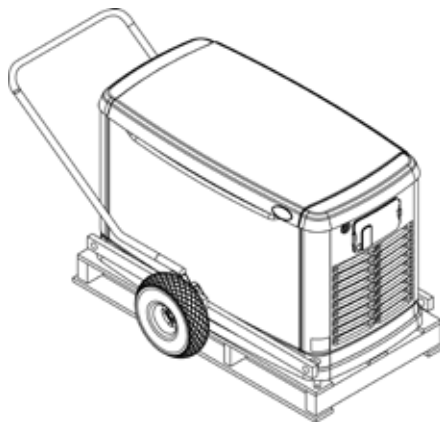
Generator Transport Cart

Air-Cooled Generator Sets

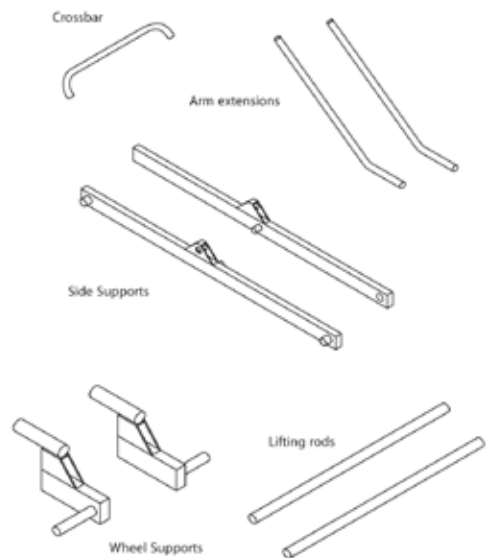
Catalog No. GENCART

Description

The Generator Transport Cart is designed to allow a single individual to move and position any of the air-cooled generators without the need for additional people or equipment. By attaching the cart to the generator through the lifting holes, the generator is lifted from the pallet by leverage and is easily wheeled to the appropriate location for final setting.



Wheels



Data Sheet

Answers for industry.

SIEMENS

Siemens Energy & Automation, Inc.
3333 Old Milton Parkway
Alpharetta, GA 30005

1-800-964-4114
info.sea@siemens.com

©2008 Siemens Energy & Automation, Inc.
All Rights Reserved. Siemens is a registered
trademark of Siemens AG. Product names
mentioned may be trademarks or registered
trademarks of their respective companies.
Specifications are subject to change without
notice.

RPFL-GTC01-1108 (New) 1108POD