

# DLM Load Control Module



**Catalog number** 5937

## Description

The DLM Load Control Module is a 50 amp contact housed in a NEMA 3R enclosure for indoor and outdoor installation applications. Through the use of the DLM Modules in conjunction with any of the 100-400 amp Nexus Smart Switches, household or business loads can be intelligently managed enabling the use of a smaller, more efficient generator system. Up to four DLM Modules can be used with a single switch.

## Specifications

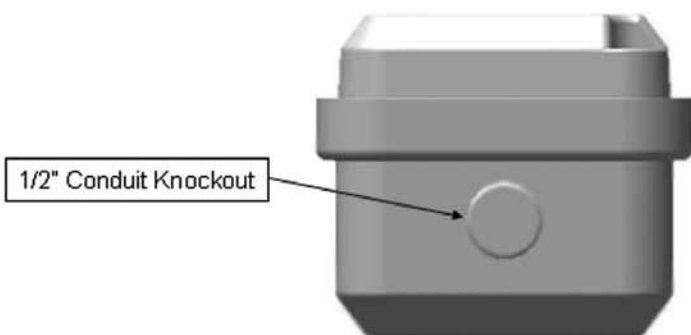
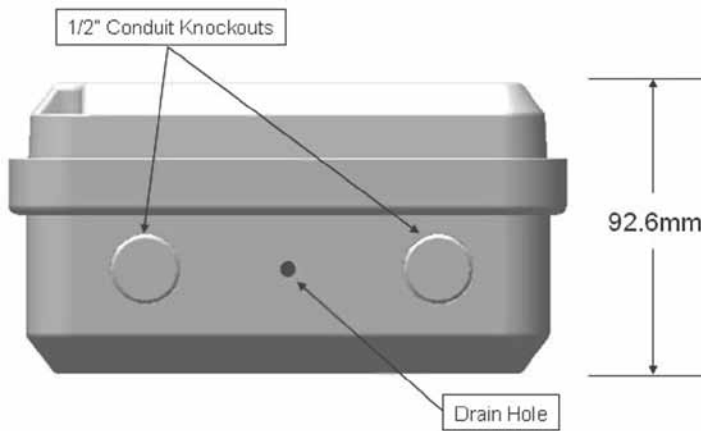
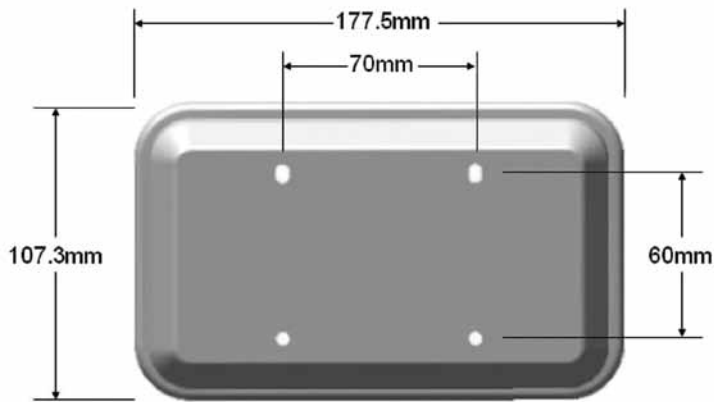
Power supply source	Contacter module is supplied with 120VAC from the load control module in the transfer switch.
Nominal supply.	120VAC
Coil VA inrush	30
Coil VA sealed	6.5
Poles	2
Voltages	120/240
Resistive Amps	50
F/L inductive Amp	40
Locked rotor Amps	240@240V
UL 50	Yes

Data Sheet

[www.usa.siemens.com/generators](http://www.usa.siemens.com/generators)

**SIEMENS**

## Dimensions



Siemens Industry, Inc.  
Building Technologies Division  
5400 Triangle Parkway  
Norcross, GA 30092

800-241-4453  
info.us@siemens.com

[www.usa.siemens.com/generators](http://www.usa.siemens.com/generators)

Subject to change without prior notice  
Order No.: RPFL-DLMMO-0810  
Printed in USA  
© 2010 Siemens Industry, Inc.

The information provided in this flyer contains merely general descriptions or characteristics of performance which in case of actual use do not always apply as described or which may change as a result of further development of the products. An obligation to provide the respective characteristics shall only exist if expressly agreed in the terms of contract.

All product designations may be trademarks or product names of Siemens AG or supplier companies whose use by third parties for their own purposes could violate the rights of the owners.