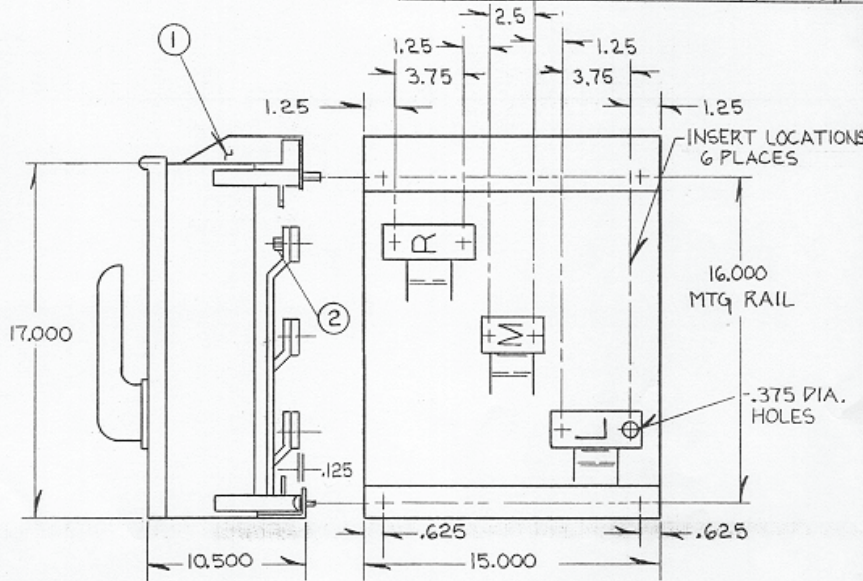


THIRD ANGLE PROJ.
REV 2
SHT 1
DWG NO. 11-B-2007-00

REVISIONS				
REV	C.N.	DESCRIPTION	DATE	BY
0	IA036		8-26-88	CK
1	IA924		5-24-91	RA
2	IB-908		4-20-95	RA



NOTES:

- 1) TORQUE VALUES: ALUM. 50 IN-LBS.; COPPER 72 IN-LBS.
- 2) FASTEN SWITCH TO Z-RAIL WITH CAPTIVE 1/4-20 SCREWS.

FOR FUSIBLE SWITCH CAT. NOS.
V7H2205, V7H2206, V7H3205, V7H3206
V7H2605, V7H2606, V7H3605, V7H3606

! DANGER
 Hazardous voltage.
 Will cause death or serious injury.
 Keep out.
 Qualified personnel only.
 Disconnect and lock off all power before working on this equipment.

CONFIDENTIAL - PROPERTY OF SIEMENS INDUSTRY, INC.

UNLESS OTHERWISE SPECIFIED DIMENSIONS ARE IN INCHES TOLERANCES ARE NON-CUMULATIVE AND ARE AS FOLLOWS UNLESS SPECIFIED OTHERWISE.

.xx ± .030
 .xxx ± .015
 ANGULAR ± 2°
 DO NOT SCALE DRAWING

Siemens Industry, Inc.
 Building Technologies Division

VACU-BREAK MOUNTING
 F2 BRANCH BUS KIT
 15" SINGLE UNIT

DWN L. PAGE	DATE 3-23-88	SIZE	FSCM NO.	DWG NO.	REV
CHK <i>R</i>	DATE 7-19-88	A		11-B-2007-00	2
APVD <i>SH</i>	DATE 9-2-88	SCALE NTS		SHEET 1 OF 2	

Apvd SH	ITEM	DESCRIPTION	PC. NO.	QTY.
5-12-95	1	FUSIBLE SWITCH	CAT. NO. *	1
	2	1/4-20 X 1 1/4 SHWSW	11-1553-11	6
	3	NEUTRAL LUG ASSEMBLY	12-B-2105-06	2
	4			
	5			
	6			
	7			
	8			
	9	INSTRUCTION LABEL	31-1243-01	1
	10	CARTON LABEL	15-A-1027-01	1
11	CARTON	48000989 ▲	1	
12				
13				
14				
15				
16				
17				
18				
19				
20				
21				
22				
23				
24				
25				
26				
27				
28				
29				
30				
31				
32				
33				
34				
35				
36				
37		* VACU-BREAK CAT. NO. F6150D		
38		FOR FUSIBLE SWITCH CAT. NOS. V7H2205,		
39		V7H2206, V7H3205, C7H3206, V7H3206, V7H2605,		
40		V7H2606, C7H3605, V7H3606		
41				
42				
43				
44				
Revisions 0: 1B-908	1: IC-831A 04-12-04	2: IC-831B 07-24-06	3: IE-053A 1-10-07	
Chk SH	5-12-95	By RAW	5-12-95	
Confidential - property of Siemens Industry, Inc. Building Technologies Division		VACU-BREAK MOUNTING F2 BRANCH BUS KIT	11-B-2007-02 Dwg No.	3 Rev.
		Title	Sht. 1 Of 1	

FOR USE WITH 15" HIGH SINGLE UNITS (400A,600A) MOUNTED IN SPP/FPP/S5/F2/P5 PANELBOARDS (DEEP BOX).