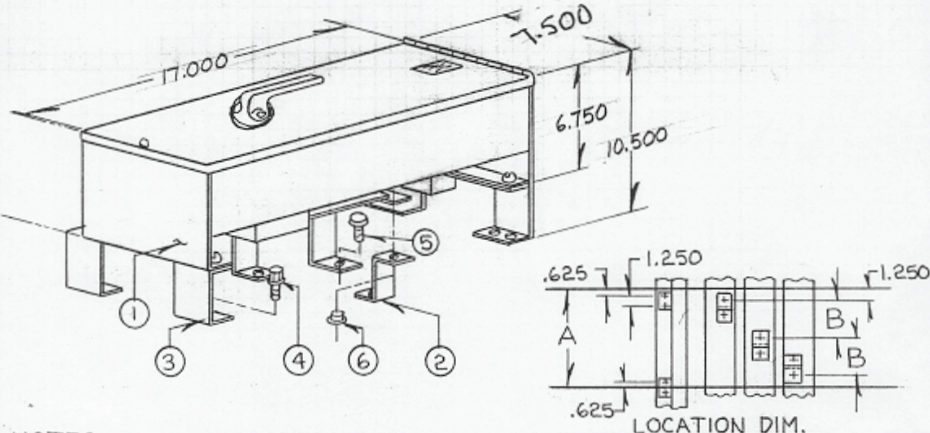


THIRD ANGLE PROJ.
 REV 2
 SWT 1
 DWG NO. 11-B-2005-00

REVISIONS				
REV	C.N.	DESCRIPTION	DATE	BY
0	1A036		8-26-88	X
1	1A924		5-24-91	RA
2	1B-908		4-20-95	RAW



- NOTES:**
- 1) WHEN CONNECTING SWITCH BUS TO A 5/16 INSERT IS REQUIRED IN ALUM. (ONLY) BRANCH BUS.
 - 2) WHEN MULTIPLE UNITS ARE INSTALLED, EACH SUPPORTS ONE CORNER OF TWO (2) UNITS.

TORQUE VALUES	
50 IN.-LBS. AL.	
72 IN.-LBS. CU.	

FOR FUSIBLE CAT. NOS	
7 1/2" UNITS	
V7E2603	
V7E3603	

⚠ DANGER
 Hazardous voltage.
 Will cause death or serious injury.
 Keep out.
 Qualified personnel only.
 Disconnect and lock off all power before working on this equipment.

CONFIDENTIAL - Property of Siemens Industry, Inc.

UNLESS OTHERWISE SPECIFIED DIMENSIONS ARE IN INCHES TOLERANCES ARE NON-CUMULATIVE AND ARE AS FOLLOWS UNLESS SPECIFIED OTHERWISE. .xx ± .030 .xxx ± .015 ANGULAR ± 2° DO NOT SCALE DRAWING		Siemens Industry, Inc. Building Technologies Division	
DWN L. PAGE		DATE 3-22-88	
CHK <i>K</i>		DATE 7-17-88	
APVD <i>SH</i>		DATE 9-21-88	
SIZE A	FSCM NO.	DWG NO. 11-B-2005-00	REV 2
SCALE NTS	SHEET 1	OF 3	

Apvd SH 5-12-95	ITEM	DESCRIPTION	PC. NO.	QTY.
	1	FUSIBLE SWITCH	CAT. NO. *	1
	2	VACU-BREAK BRANCH BUS	11-7025-01	3
	3	VACU-BREAK MOUNTING BRACKET	11-6043-01	4
	4	1/4-20 X 3/8 SHWHSW	11-1553-02	8
	▲ 5	STRAP-BUS HARDWARE KIT	11-B-2022-05	1
	6			
	7	NEUTRAL LUG ASSEMBLY	12-B-2105-01	1
	8			
	9	INSTRUCTION SHEET	31-1241-01	1
	10	CARTON LABEL	15-A-1027-01	1
	11	CARTON	48000989	1
	12			
	13			
	14			
	15			
	16			
	17			
	18			
	19			
	20			
	21			
	22			
	23			
	24			
	25			
	26			
	27			
	28			
	29			
	30			
	31			
	32			
	33			
	34			
	35			
	36			
	37	* VACU-BREAK MOUNTING SENTRON		
	38	7 1/2" UNITS-FOR FUSIBLE SWITCH CAT NOS:		
	39	V7E2603, V7E3603		
	40			
	41			
	42			
	43			
	44	MERCHANDISE KIT NO. F607D		

Revisions 0: 1B-908 4:1E-166B 12-11-09
 1:1C-831A 04-12-04
 2:1C-831B 07-24-06
 3:1E-053A 1-10-07

Confidential - property of Siemens Industry, Inc. Norcross, GA Building Technologies Division	VACU-BREAK MOUNTING COPPER BRANCH BUS F2 Title	11-B-2005-03 Dwg No.	4 Rev.
		Sht. 1 Of 1	

FOR USE WITH 7.5" HIGH SINGLE UNITS (100A) MOUNTED IN SPP/FPP/S5/F2/P5 PANELBOARDS (DEEP BOX).