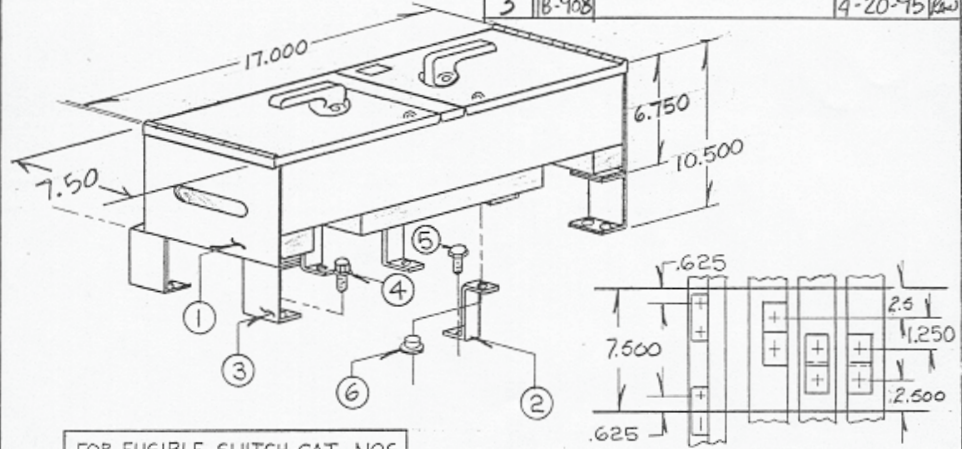


DWG NO. 11-B-2004-00
 SHEET 1 OF 3
 REV. 3
 DATE 9-21-88
 APVD SH

TORQUE VALUES

- ⑤ 50 IN.LBS. AL
- 72 IN.LBS. CU.

REVISIONS				
REV	C.N.	DESCRIPTION	DATE	BY
0	1A036		8-26-88	AS
1	1A06A	REMOVE 5" UNIT	2-10-89	AS
2	1A924	Added F1 in title	5-24-91	RA
3	1B-908		4-20-95	AW



FOR FUSIBLE SWITCH CAT. NOS.	
	7 1/2" UNITS
	V7E2223
	V7E2233
	V7E3223
	V7E3233
	V7E2611
	V7E2612

NOTES:

- 1). WHEN CONNECTING SWITCH BUS TO BRANCH BUS, A 5/16" INSERT IS REQUIRED IN ALUM. (ONLY) BRANCH BUS.
- 2). WHEN MULTIPLE UNITS ARE INSTALLED EACH MOUNTING BRACKET SUPPORTS ONE CORNER OF TWO (2) UNITS.

▲ DANGER
 Hazardous voltage.
 Will cause death or serious injury.
 Keep out.
 Qualified personnel only.
 Disconnect and lock off all power before working on this equipment.

CONFIDENTIAL - Property of Siemens Industry, Inc.

UNLESS OTHERWISE SPECIFIED DIMENSIONS ARE IN INCHES TOLERANCES ARE NON-CUMULATIVE AND ARE AS FOLLOWS UNLESS SPECIFIED OTHERWISE. .xx ± .030 .xxx ± .015 ANGULAR ± 2° DO NOT SCALE DRAWING		Siemens Industry, Inc. Building Technologies Division	
VACU BREAK MOUNTING ▲ F2 BRANCH BUS KIT 7.500" TWIN UNIT		SIZE A	FSCM NO.
DWNL. PAGE CHK <i>R</i>	DATE 3-22-88 DATE 7-19-88	DWG NO. 11-B-2004-00	REV 3
APVD <i>SH</i>	DATE 9-21-88	SCALE NTS	SHEET 1 OF 3

FOR USE WITH 5" AND 7.5" HIGH TWIN UNITS (30, 60, 100A)
MOUNTED IN SPP/FPP/S5/F2/P5 PANELBOARDS (DEEP BOX).

Apvd SH	ITEM	DESCRIPTION	PC. NO.	QTY.
5-12-95	1	FUSIBLE SWITCH	CAT. NO. *	1
	2	VACU-BREAK BRANCH BUS	11-7025-01	3
	3	VACU-BREAK MOUNTING BRACKET	11-6043-01	4
	4	1/4-20 X 3/8 SHHWSW	11-1553-02	8
	▲ 5	STRAP-BUS HARDWARE KIT	11-B-2022-05	1
	6			
	7	NEUTRAL LUG ASSEMBLY	12-B-2105-01	2
	8			
	9	INSTRUCTION SHEET	31-1240-01	1
	10	CARTON LABEL	15-A-1027-01	1
	11	CARTON	48000989	1
	12			
	13			
	14			
	15			
	16			
	17			
	18			
	19			
	20			
	21			
	22			
	23			
	24			
	25			
	26			
	27			
	28			
	29			
	30			
	31			
	32			
	33			
	34			
	35			
	36	* 7 1/2" UNITS-FOR FUSIBLE SWITCH CAT NOS.:		
	37	V7E2223, V7E2233, V7E3223, V7E3233, V7E2611		
	38	V7E2612, V7E2622, V7E2633, V7E3611, V7E3612		
	39	V7E3622, V7E3623, V7E3633		
	40			
	41			
	42			
	43			
	44	MERCHANDISE KIT NO. F657D		
Confidential - property of Siemens Industry, Inc. Norcross, GA Building Technologies Division		VACU-BREAK MOUNTING COPPER BRANCH BUS F2 Title	11-B-2004-03 Dwg No.	4 Rev.
		Sht. 1	Of 1	

Siemens Industry, Inc.
Building Technologies Division
Norcross, GA

CAT. NO. F657D