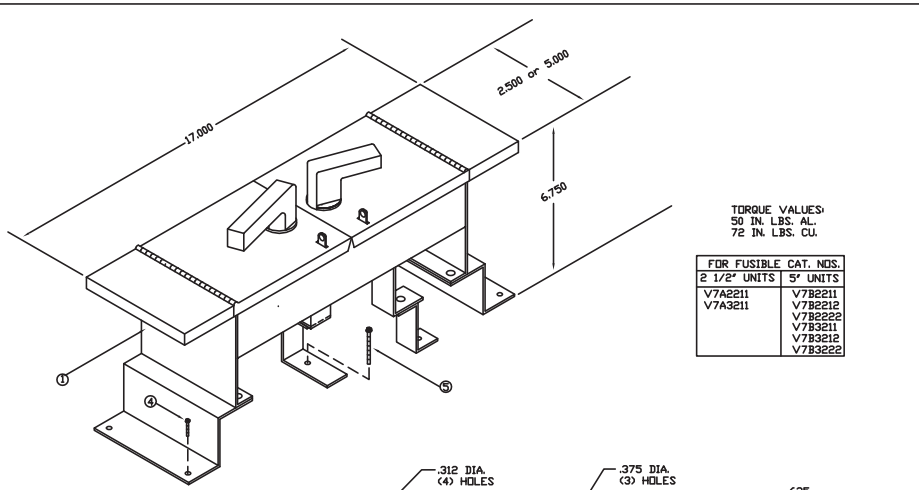
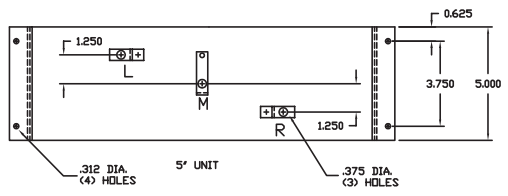
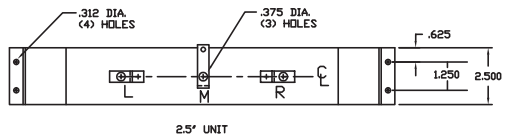


THIRD ANGLE PROJ
 REV 3
 SHIT 1
 DWG. NO. 11-B-2000-00
 AUTOCAD FILENAME



TORQUE VALUES:
 50 IN. LBS. AL.
 72 IN. LBS. CU.

FOR FUSIBLE CAT. NOS.	
2 1/2" UNITS	5" UNITS
V7A2211	V7B2211
V7A3211	V7B2212
	V7B2222
	V7B3211
	V7B3212
	V7B3222



2	1A-280	11-30-90
3	1B-908	4-20-95

REV	C.N.	DATE	UNLESS OTHERWISE SPECIFIED DIMENSIONS ARE IN INCHES TOLERANCES ARE NON-CUMULATIVE AND ARE AS FOLLOWS UNLESS SPECIFIED OTHERWISE.
1	1A-064	2-10-89	.XX ± .030 .XXX ± .015 ANGULAR ± 2°
0	1A-036	8-26-88	DO NOT SCALE DRAWING
	DWN LP	DATE 3-18-88	DWG NO.
	CHK JC	DATE 9-19-88	REV. 3
	APVD SH	DATE 9-19-88	SCALE NONE

CONFIDENTIAL - PROPERTY OF
Siemens Industry, Inc.
 Building Technologies Division

VACU-BREAK MOUNTING
 ▲ F1 - BRANCH KIT
 2.500" & 5.000" TWIN UNIT

DWG NO. 11-B-2000-00
 SHEET 1 OF 1

FOR USE WITH 2.5" & 5" HIGH TWIN UNITS MOUNTED IN SPP/FPP/S4/F1/P4 PANELBOARDS (SHALLOW BOX).

Apvd	ITEM	DESCRIPTION	PC. NO.	QTY.
PM	1	FUSIBLE SWITCH	SEE CAT. NO.	1
11-30-90	2			
	3			
	4	1/4-20 X 3/8 SHHWS	11-1553-02	4
	5	STRAP-BUS HARDWARE KIT	11-B-2022-05	1
	6			
	7	NEUTRAL LUG ASSEMBLY	12-B-2105-01	1
	8	INSTRUCTION SHEET	11-B-1001-01	1
	9	CARTON LABEL	15-A-1027-01	1
	10	CARTON	48000989 ▲	1
	11			
	12			
Revisions	4:1C-831A	4-12-04		
	1:1A-064	2-10-89		
	5:1C-831B	7-24-06		
	2:1A-280	11-30-90		
	6:1E-053A	1-10-07		
	3:1B-908	4-17-95		
Chk	SH			
11-30-90				
By	MC			
11-20-90				
Confidential - property of Siemens Industry, Inc. Building Technologies Division		VACU-BREAK MOUNTING KIT F1 TWIN MOUNT 2.5" & 5" UNITS, CAT. NO. F602 Title	11-B-2000-02 Dwg No.	6 Rev.
		Sht. 1	Of 1	