

# Convenience and reliability with the PAC Series Siemens Metering Units



Enclosed Meter Solutions

Answers for industry

**SIEMENS**

For low cost and simple tenant monitoring, sub-billing or industrial cost allocation, turn to Siemens metering units. Installed in rugged NEMA 1 enclosures, these metering units are ideal for:

- Property Management Firms
- Government Applications
- Universities
- Corporate Campus Facilities
- Malls
- Food Courts
- Building Retrofits

With Safety being paramount, Siemens has designed the SMU with many safety and convenience features in mind. These include a single circuit breaker for both the control voltage & voltage taps to protect internal wiring and the power meters from damage and allowing a "single source" disconnect from outside power, separate CT shorting blocks for each meter, a grounding lug and the Modbus serial communications will be terminated to one location for ease of network installation. All components will be mounted to a back plate in the enclosure and, if required, a CPT will be provided for control voltages above 240 volts. This complete SMU solution is delivered ready to install with all the components pre-installed prior to shipment.



The Siemens PAC Series Metering Units (SMU) come completely pre-wired and ready to go with our standard PAC3100 energy meter. This meter provides the required energy and basic metering information needed for a typical sub-billing / cost allocation application. The SMU's can also be supplied with the more advanced PAC3200 and PAC4200 Power meters if required.

### Features

- 480V 15A 3 Phase CB for disconnecting voltage sources and meter protection
- Individual 6-Pole Short Circuit Terminal
- Comes standard with PAC3100\*
- Blocks, with shorting bar for safe shorting of current transformers
- Utilizes 5A secondary current input for improved accuracy and increased compatibility
- Small footprint for easy installation
- Rugged design
- Bright, easy-to-read LCD display
- Packaged by voltage and current ratings to accommodate any installation
- Multiple configurations
- CPT for 480 volt application factory installed

\* Standard Communications is Modbus RTU (RS-485), Ethernet is available with PAC3200 or PAC4200.

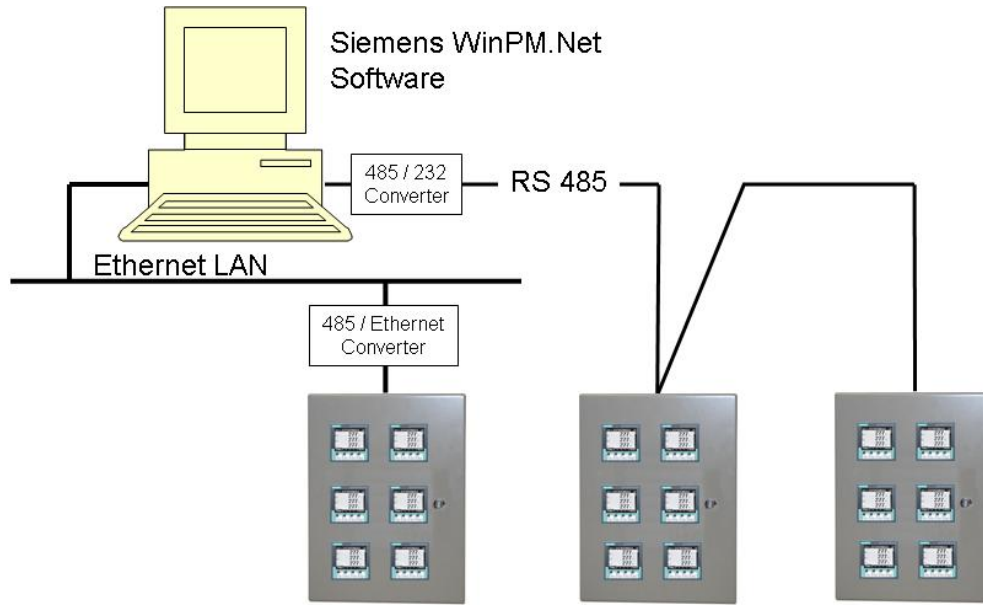
### Benefits

- Replace multiple utility meters with one enclosure, saves wall space
- Consolidate utility bills for sub-billing and energy management
- Bill tenants on actual usage
- Improve energy efficiency
- Aggregate energy purchases for reduced rates
- Improve productivity, eliminate manual meter when coupled with Siemens WinPM.Net or other billing software readings through automatic reporting software

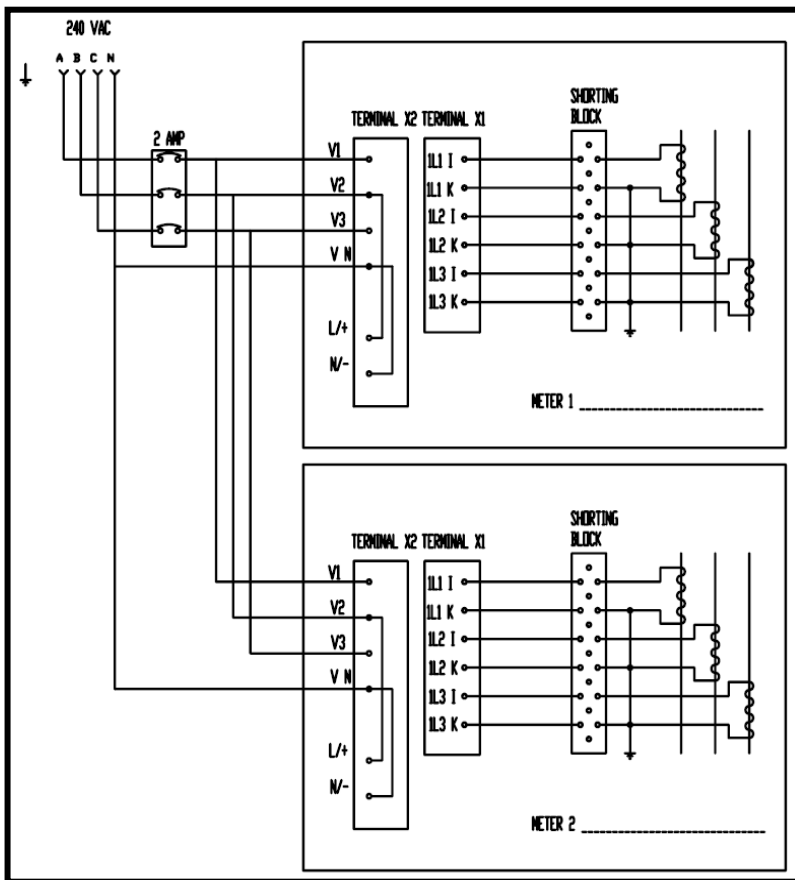
### Available Parameters with PAC3100

- kWhrs
- kW Demand
- Amps
- Volts

# Typical SMU Network



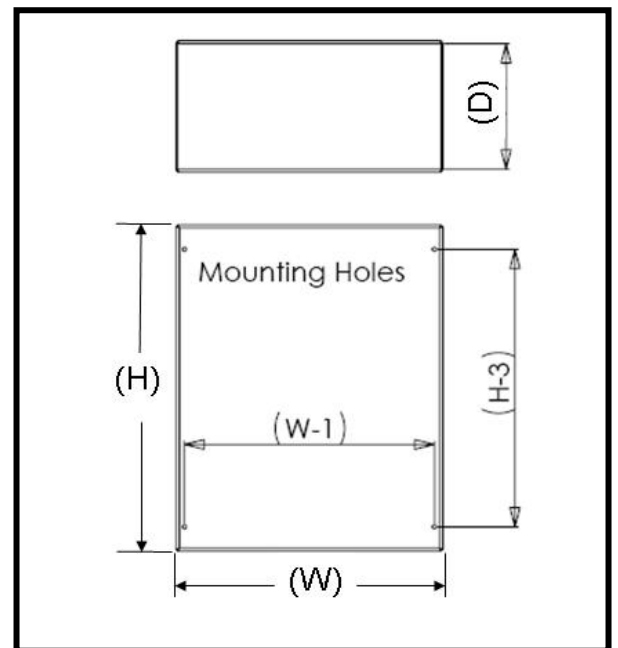
# SMU Design Overview



Typical wiring Diagram 2 meter unit shown

## SMU enclosure dimensions

	Width	Height	Depth
2 meter enclosure	16"	20"	8"
4 meter enclosure	20"	20"	8"
6 meter enclosure	24"	30"	8"
8 meter enclosure	30"	42"	9"
10 meter enclosure	36"	48"	9"
12 meter enclosure	36"	48"	9"



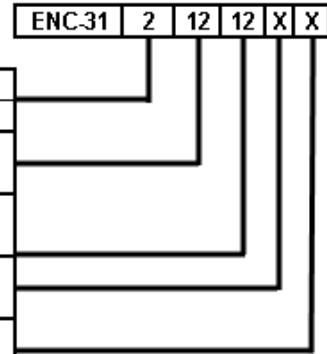
## SMU ordering information

Note: No more than three meter provisions allowed per enclosure

Catalog Number

ENC-31 2 12 12 X X

Control Power	2=240Vac 4=480Vac
Meter Positions	02, 04, 06, 08, 10, 12
Meters Installed	01, 02, 03, 04, 05, 06, 07, 08, 09, 10,11, 12
Enclosure Type	X= NEMA1
Wiring Options	X= Std.



## Current Transformers (CTs)

### Split Core - Rectangular Metering Grade, 600V, 0.5% Accuracy

Part Number	Primary	Size	Secondary
PDS-CTSC-011	100A	1.25" x 1.51" Window	5A
PDS-CTSC-021	200A	1.25" x 1.51" Window	5A
PDS-CTSC-031	300A	1.25" x 1.51" Window	5A
PDS-CTSC-042	400A	2.45" x 2.89" Window	5A
PDS-CTSC-062	600A	2.45" x 2.89" Window	5A
PDS-CTSC-082	800A	2.45" x 2.89" Window	5A
PDS-CTSC-083	800A	2.45" x 5.50" Window	5A
PDS-CTSC-013	1000A	2.45" x 5.50" Window	5A
PDS-CTSC-123	1200A	2.45" x 5.50" Window	5A
PDS-CTSC-124	1600A	2.45" x 5.50" Window	5A
PDS-CTSC-2000	2000A	2.45" x 5.50" Window	5A
PDS-CTSC-03R	3000A	2.75" x 6.625" Window	5A

### Solid Core - Round Metering Grade, 600V, .3% Accuracy

Part Number	Primary	Size	Secondary
PDS-CTRC-021	200A	1.25" Window	5A
PDS-CTRC-031	300A	1.25" Window	5A
PDS-CTRC-041	400A	1.25" Window	5A
PDS-CTRC-051	500A	1.25" Window	5A
PDS-CTRC-061	600A	1.25" Window	5A
PDS-CTRC-081	800A	1.25" Window	5A
PDS-CTRC-101	1000A	1.25" Window	5A
PDS-CTRC-012	100A	2.25" Window	5A
PDS-CTRC-022	200A	2.25" Window	5A
PDS-CTRC-032	300A	2.25" Window	5A
PDS-CTRC-042	400A	2.25" Window	5A
PDS-CTRC-084	800A	4.0" Window	5A
PDS-CTRC-104	1000A	4.0" Window	5A
PDS-CTRC-124	1200A	4.0" Window	5A
PDS-CTRC-064	1600A	4.0" Window	5A
PDS-CTRC-204	2000A	4.0" Window	5A
PDS-CTRC-326	3200A	6.5" Window	5A
PDS-CTRC-426	4000A	6.5" Window	5A

**Total number of CT's required will depend on the circuit being measure.**

- Two pole devices( Single phase 2 or 3 wire) would require (2) CTs per meter
- Three Pole devices (3 Phase 3 or 4 wire) would require 3 CTs per meter

Siemens Energy and Automation  
3333 Old Milton Parkway  
Alpharetta, Ga. 30005

[Info.sea@siemens.com](mailto:Info.sea@siemens.com)

[www.sea.siemens.com/access](http://www.sea.siemens.com/access)

The information provided in this brochure contains merely general descriptions or characteristics of performance which in case of actual use do not always apply as described or which may change as a result of further development of the products. An obligation to provide the respective characteristics shall only exist if expressly agreed in the terms of contract.

Siemens is a registered trademark of Siemens AG. Product names mentioned may be trademarks or registered trademarks of their respective companies. Specifications are subject to change without notice.