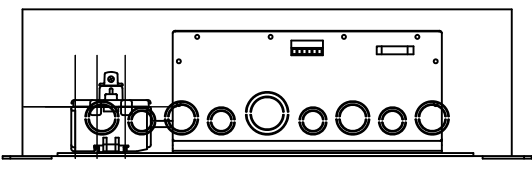
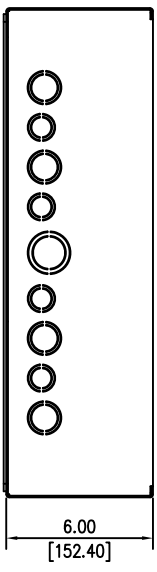
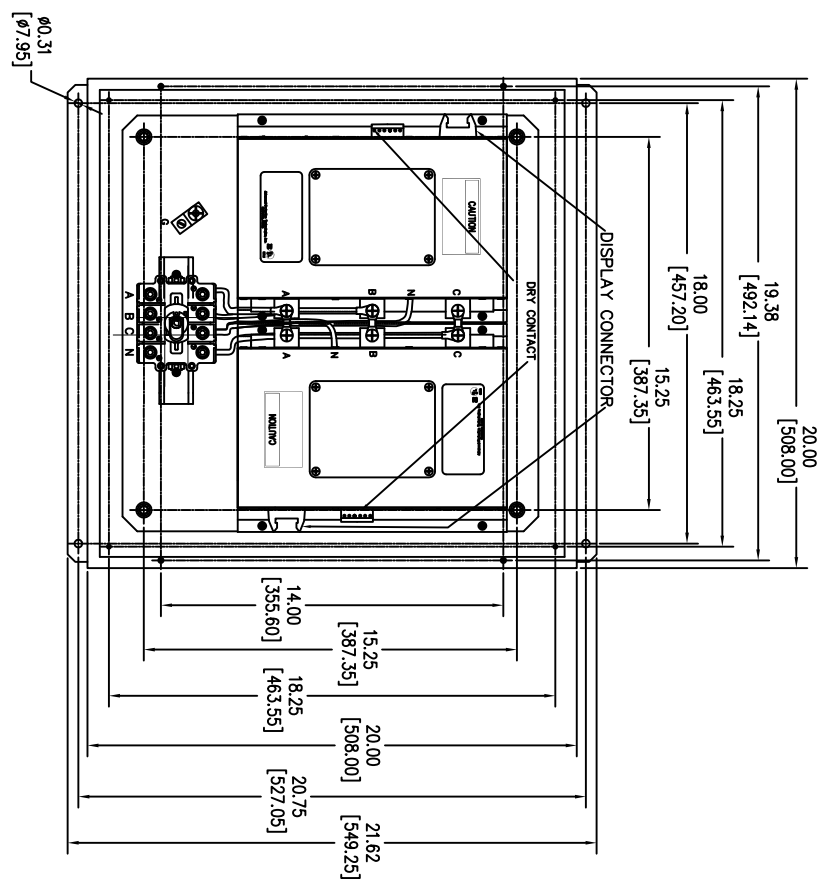
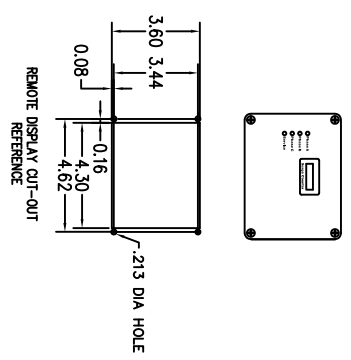
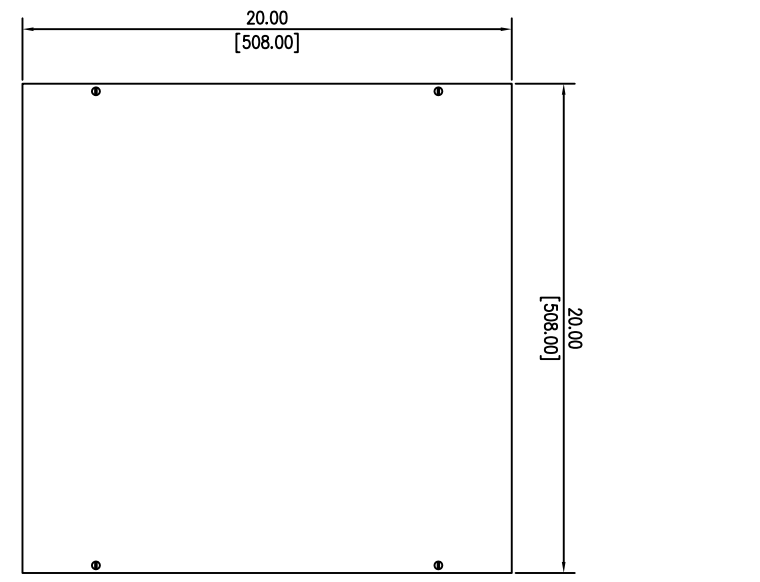


SURGE PROTECTIVE DEVICE (SPD)  
WEIGHTS & DIMENSIONS  
NEMA RATING: 1



ENCLOSURE SPECS.  
DESC: ENCLOSURE, SCREWCOVER PULLBOX  
DIM: 20"H x 20"W x 6"D  
MAT: CARBON STEEL, 16 GAUGE  
FINISH: POWDERCOAT ANSI 61 GRAY  
NEMA RATING: 1  
DEVICE WEIGHT: 42.70LBS. (19.36KG.)

Rev	C.N.	Date
△		Denotes latest changes.
□		Critical dimension.
<p>Siemens Industry, Inc. Building Technologies Division</p> <p>TPS3-15 SERIES 400K-1000K w/ DS NEMA RATING: 1</p> <p>43D-TPS3-15DS-1M</p>		
<p>SCALE: NONE SHEET 1 of 1</p>		