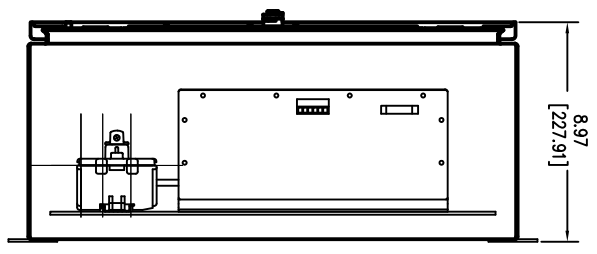
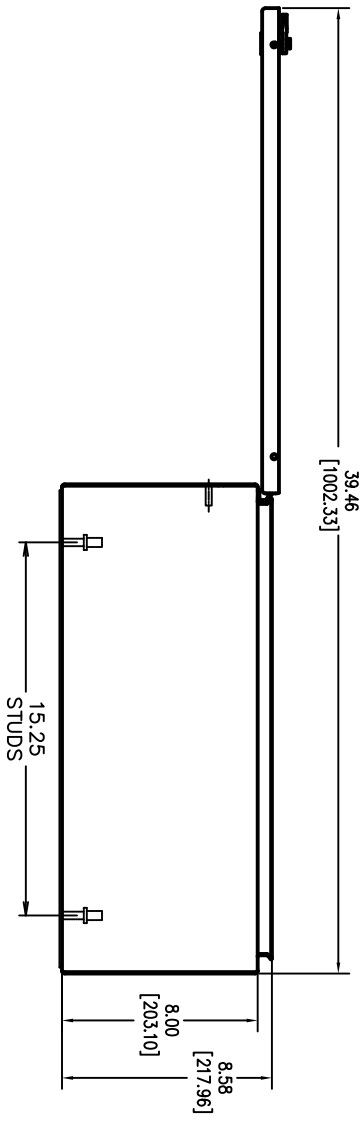
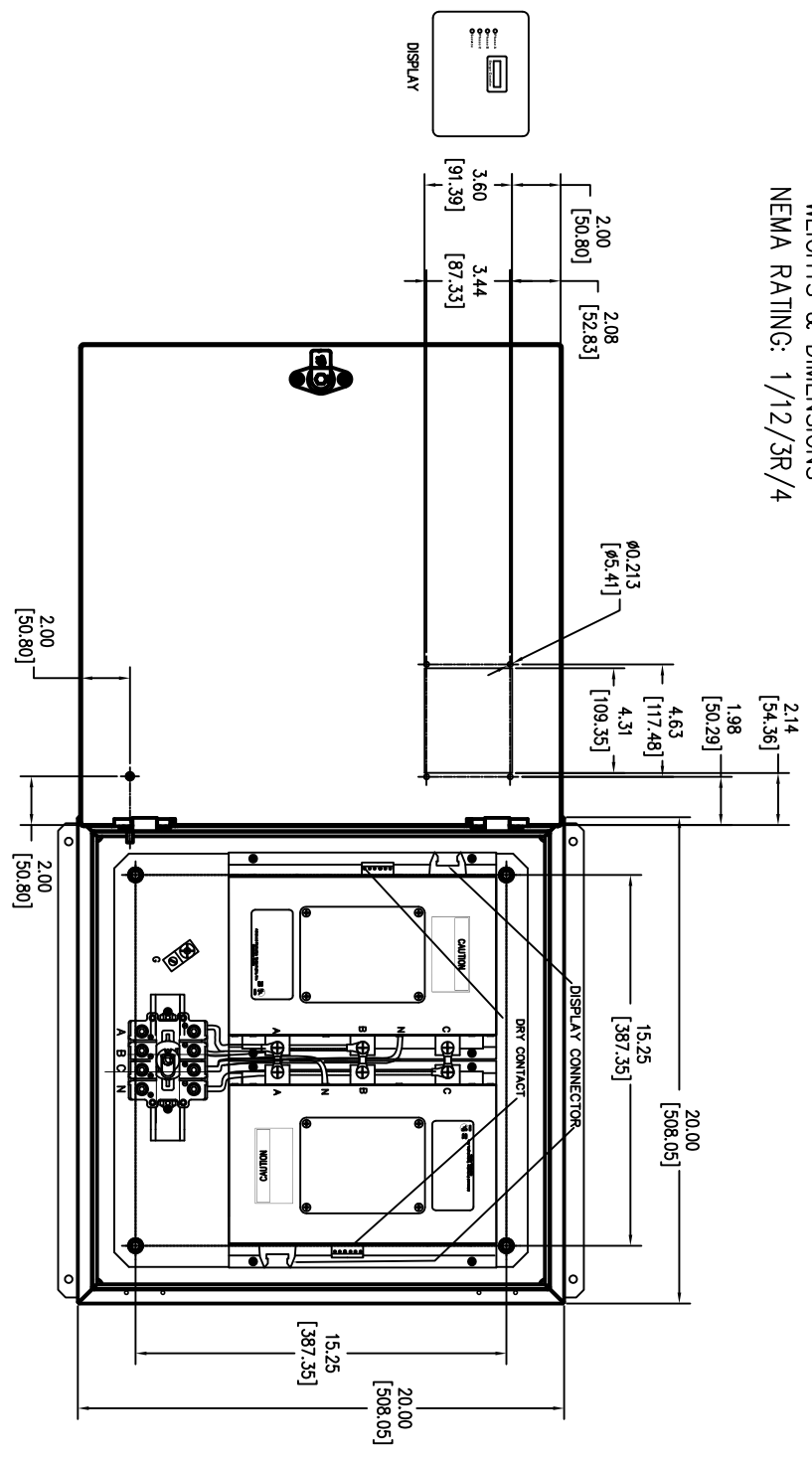


**SURGE PROTECTIVE DEVICE (SPD)
WEIGHTS & DIMENSIONS
NEMA RATING: 1/12/3R/4**



ENCLOSURE SPECS:
DESC: ENCLOSURE, HINGED
DIM: 20"H x 20"W x 8"D
FINISH: POWDERCOAT ANSI 61 GRAY
MATERIAL: CARBON STEEL, 14 GAUGE
NEMA RATING: 1/12/3R/4
DEVICE WEIGHT: 51.95LBS. (23.56KG.)

Rev	C.N.	Date
1		

- Denotes latest changes.
 Critical dimension.

DATE	BY	CHKD	APP'D	DESCRIPTION
04/27/20	H. DRIGGERS			DESIGN
04/27/20	M.A.G.			MANUFACTURING

Confidential - Property of
 Siemens Industry, Inc.
 Building Technologies Division

TPS3-15 SERIES	400K-1K W/ DS	NEMA RATING: 1/12/3R/4
43D-TPS3-151KDS-123RM		
SIZE: NONE		

SHEET 1 OF 1