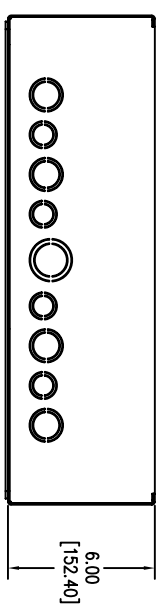
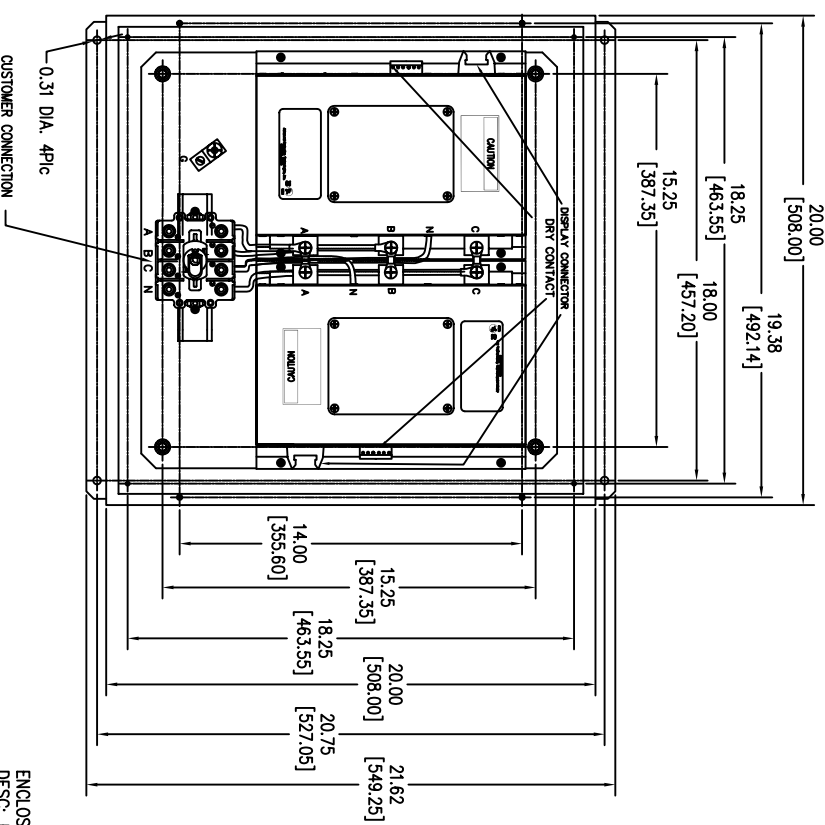
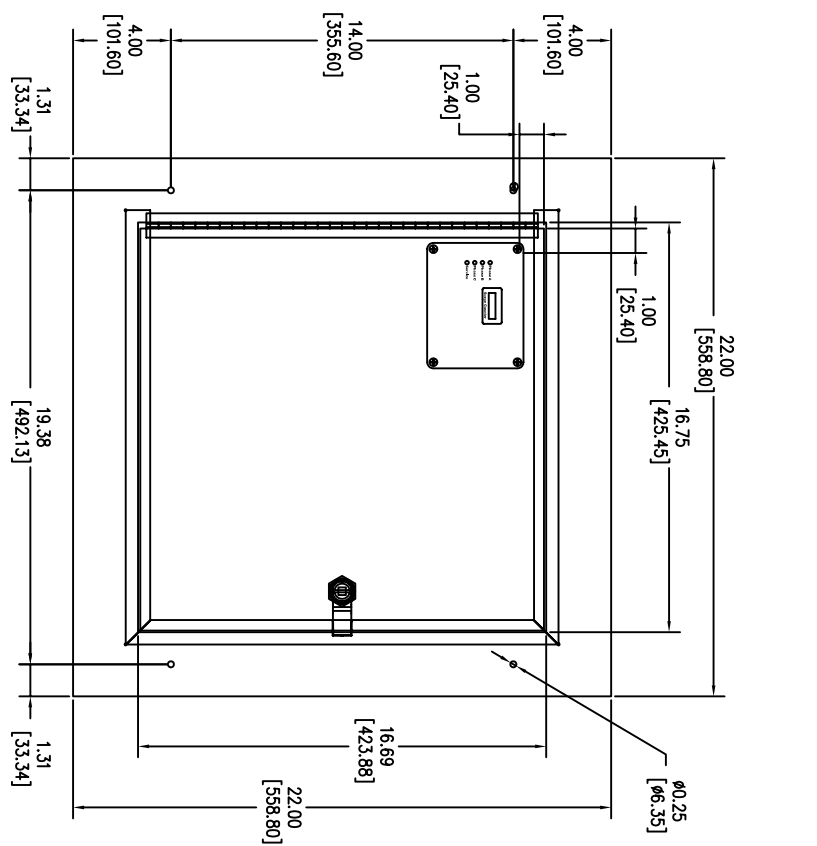


SURGE PROTECTIVE DEVICE (SPD)
WEIGHTS & DIMENSIONS
NEMA RATING: 1 FLUSHMOUNT



ENCLOSURE SPECS.
 DESC: ENCLOSURE, FLUSHMOUNT PULLBOX
 DIM: 20"H x 20"W x 6"D
 MAT: CARBON STEEL, 16 GAUGE
 FINISH: POWDERCOAT ANSI 61 GRAY
 NEMA RATING: 1
 DEVICE WEIGHT: 53.30LBS. (24.17KG.)

Rev	C.N.	Date
△		
□		

Denotes latest changes.
 Critical dimension.

DESIGNED BY	H. DRINGERS	DATE	6/17/26
DRAWN BY		DATE	6/17/26
CHECKED BY		DATE	
APPROVED BY		DATE	

Siemens Industry, Inc.
 Building Technologies Division

TPS3-15 SERIES
 400K-1000K w/ DS
 FLUSHMOUNT NEMA: 1

4-3D-TPS3-15DS-FM1M

SCALE: NONE SHEET 1 OF 1