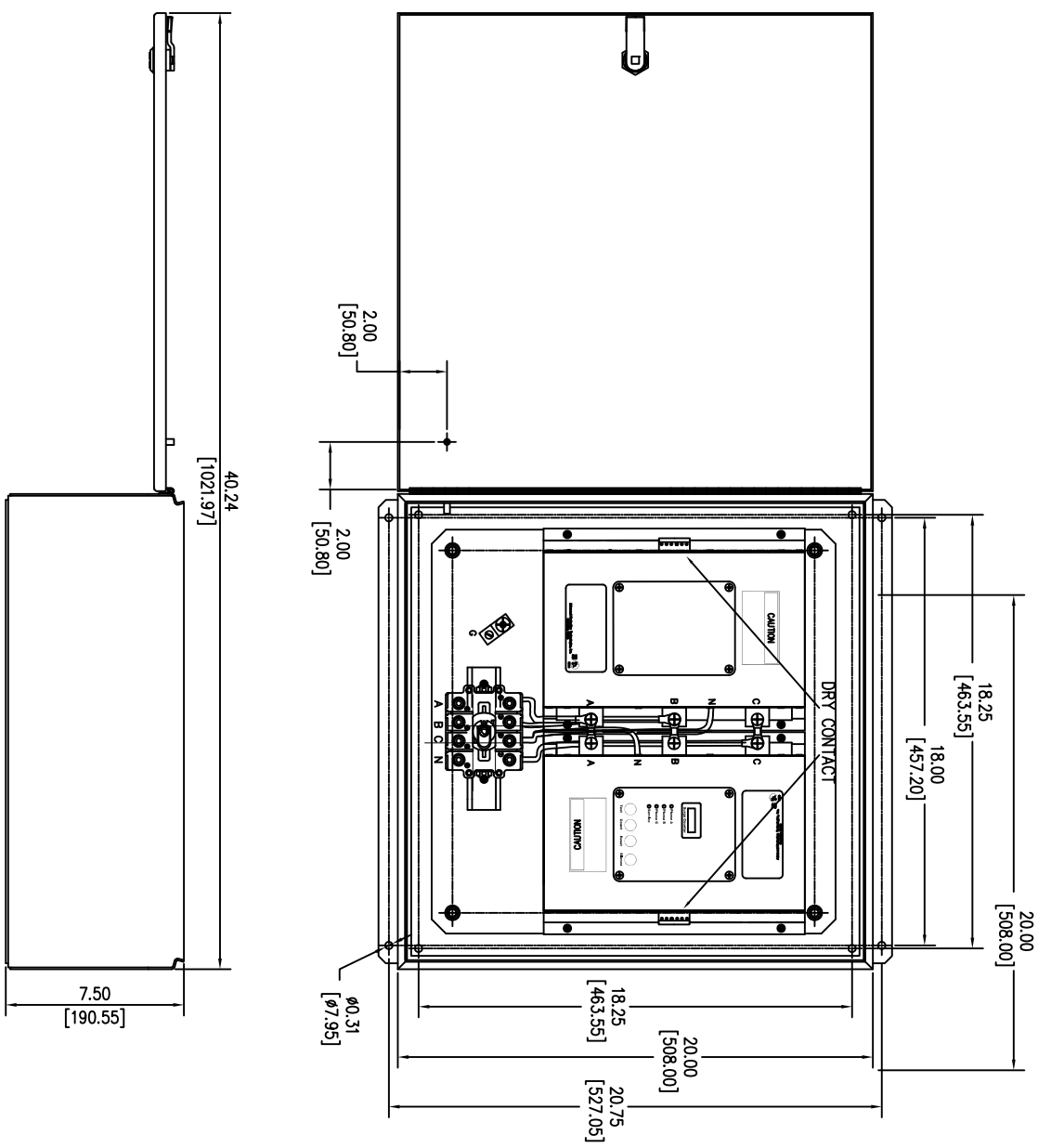


SURGE PROTECTIVE DEVICE (SPD)  
 WEIGHTS & DIMENSIONS  
 NEMA RATING: 4X STAINLESS STEEL



ENCLOSURE SPECS:  
 DESC: ENCLOSURE, HINGED  
 DIM: 20"H x 20"W x 7"D  
 MAT: STAINLESS STEEL, 14 GAUGE  
 FINISH: STAINLESS STEEL  
 NEMA RATING: 4X  
 DEVICE WEIGHT: 52.75LBS. (23.92KG.)

Rev	C.N.	Date
<input type="checkbox"/>		
<input checked="" type="checkbox"/>		
Denotes latest changes.		
Critical dimension.		
H. DRIGGERS 8/27/28 43D-TPS3-15DS-4XM NEMA RATING: 4X STAINLESS STEEL 14 GAUGE 20" H x 20" W x 7" D SURGE PROTECTIVE DEVICE		
Confidential - Property of Siemens Industry, Inc. Building Technologies Division		TPS3-15 SERIES 400K-1000K W/ DS NEMA RATING: 4X
43D-TPS3-15DS-4XM NONE	SHEET 1 OF 1	DATE