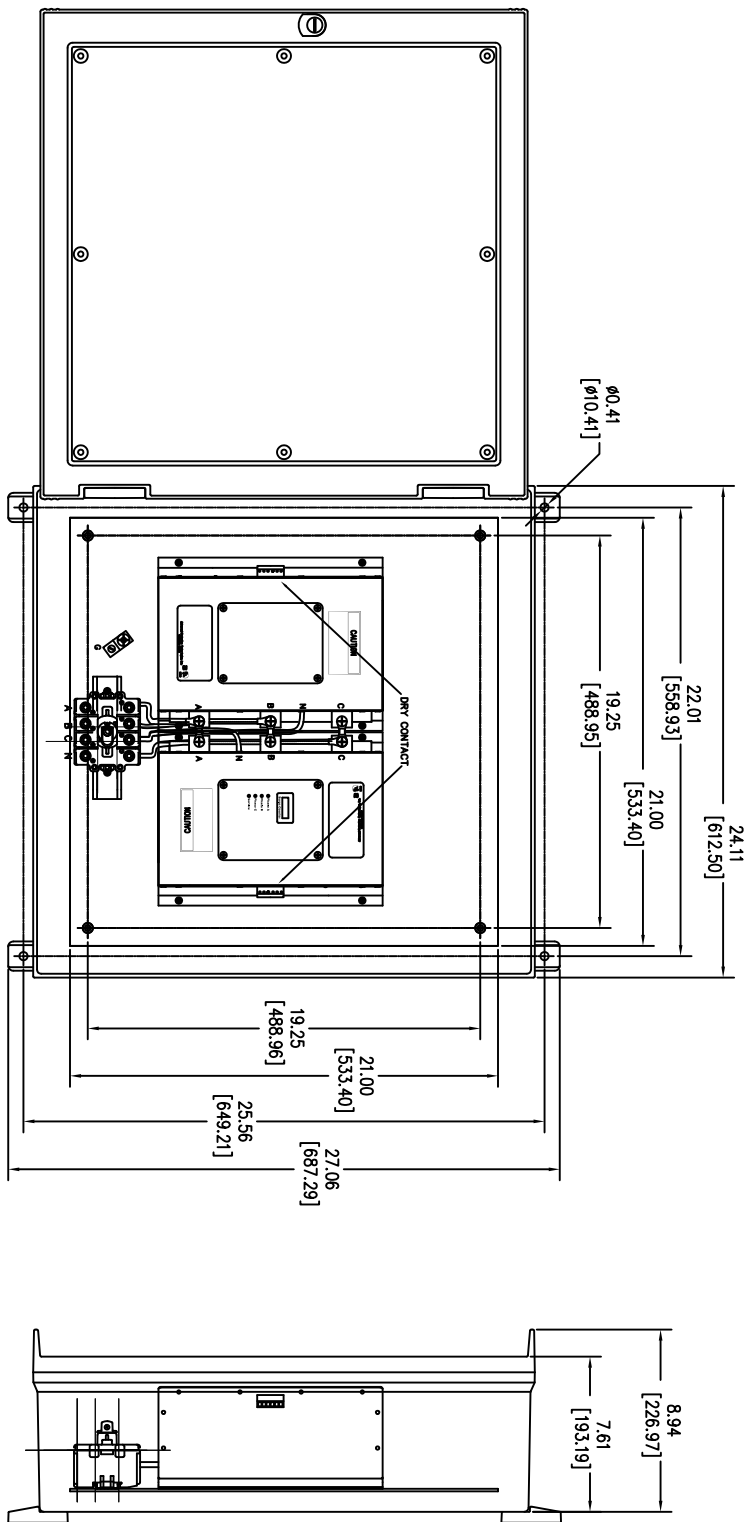


**SURGE PROTECTIVE DEVICE (SPD)
WEIGHTS & DIMENSIONS NEMA
RATING: 4X NON METALLIC**



ENCLOSURE SPECS.
DESC: NON-METALLIC ENCLOSURE, HINGED
DIM: 24"H x 24"W x 9.5"D
MAT: POLYCARBONATE
FINISH: GRAY
NEMA RATING: 4X
DEVICE WEIGHT: 51.80LBS. (23.49KG.)

Rev	C.N.	Date
△	-	Denotes latest changes.
□	-	Critical dimension.

DESIGNED BY	H. DRIGGERS	DATE	6/17/26
CHECKED BY	MAD	DATE	6/17/26
Confidential - Property of Siemens Industry, Inc. Building Technologies Division			
TPS3-15 SERIES 400K-1000K w/ DS NEMA RATING: 4X			
DWG NO.	43D-TPS3-15DS-4XPM		
SCALE	NONE		
SHEET	1 OF 1		