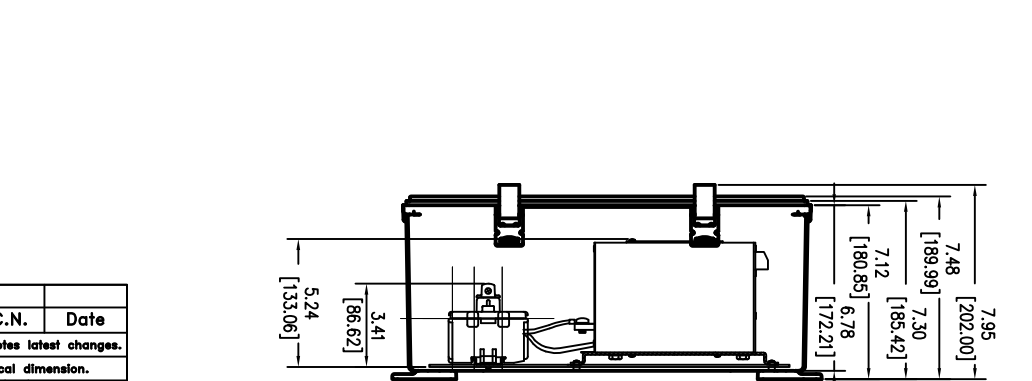
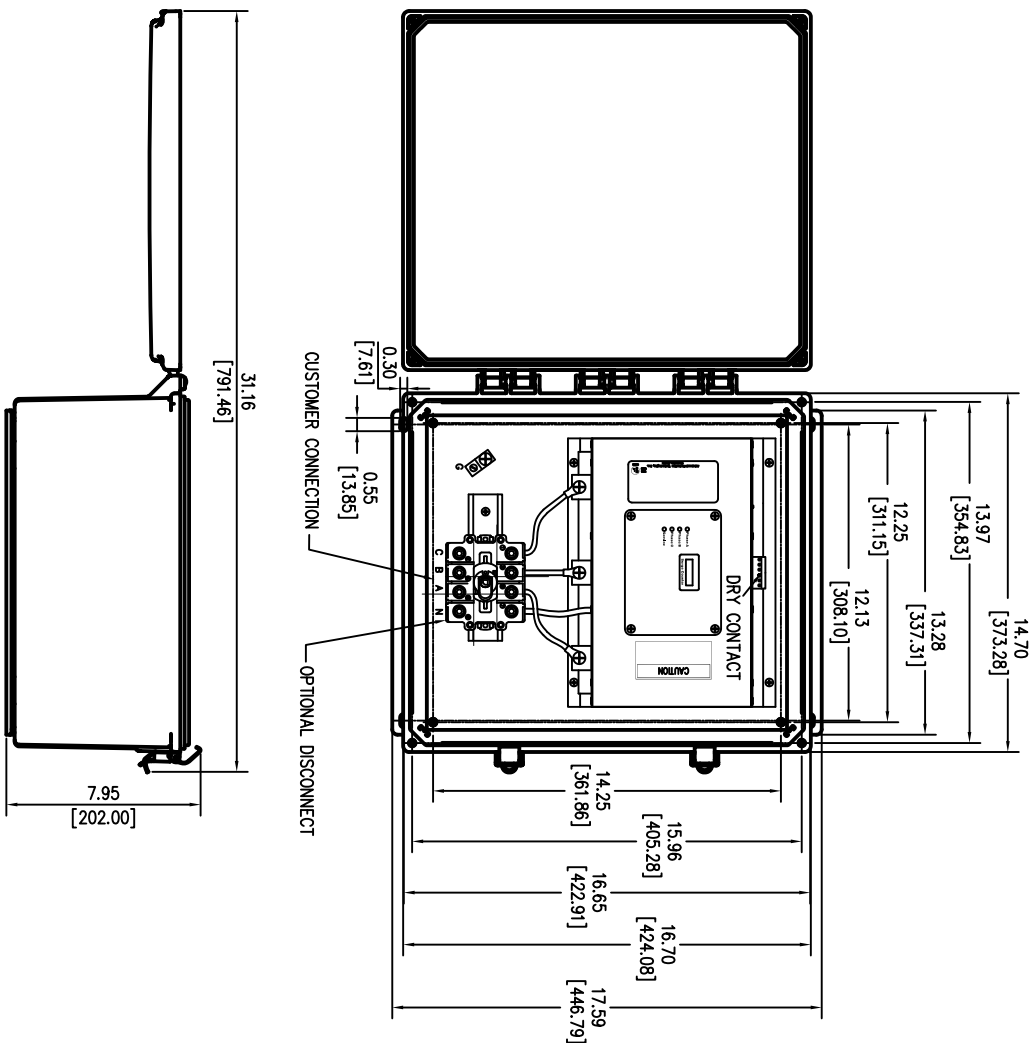


**SURGE PROTECTIVE DEVICE (SPD)  
WEIGHTS & DIMENSIONS  
NEMA RATING: 4X NON-METALLIC**



ENCLOSURE SPECS.  
DESC: NON-METALLIC ENCLOSURE, HINGED  
DIM: 16"H x 14"W x 7"D  
MAT: POLYCARBONATE  
FINISH: GRAY  
NEMA RATING: 4X  
DEVICE WEIGHT: 20.60LBS. (9.34KG.)

Rev	C.N.	Date
△		
□		

Denotes latest changes.  
Critical dimension.

DESIGNED BY	H. DRUCKERS	DATE	6/17/26
CHECKED BY	MAD	DATE	6/17/26

Confidential - Property of  
**Siemens Industry, Inc.**  
Building Technologies Division

TPS3-12 SERIES  
400K-500K w/ DS  
NEMA RATING: 4X

43D-TPS3-12500DS-4XPM

SIZE NONE SHEET 1 of 1