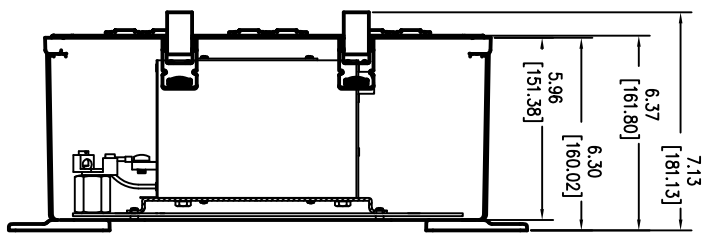
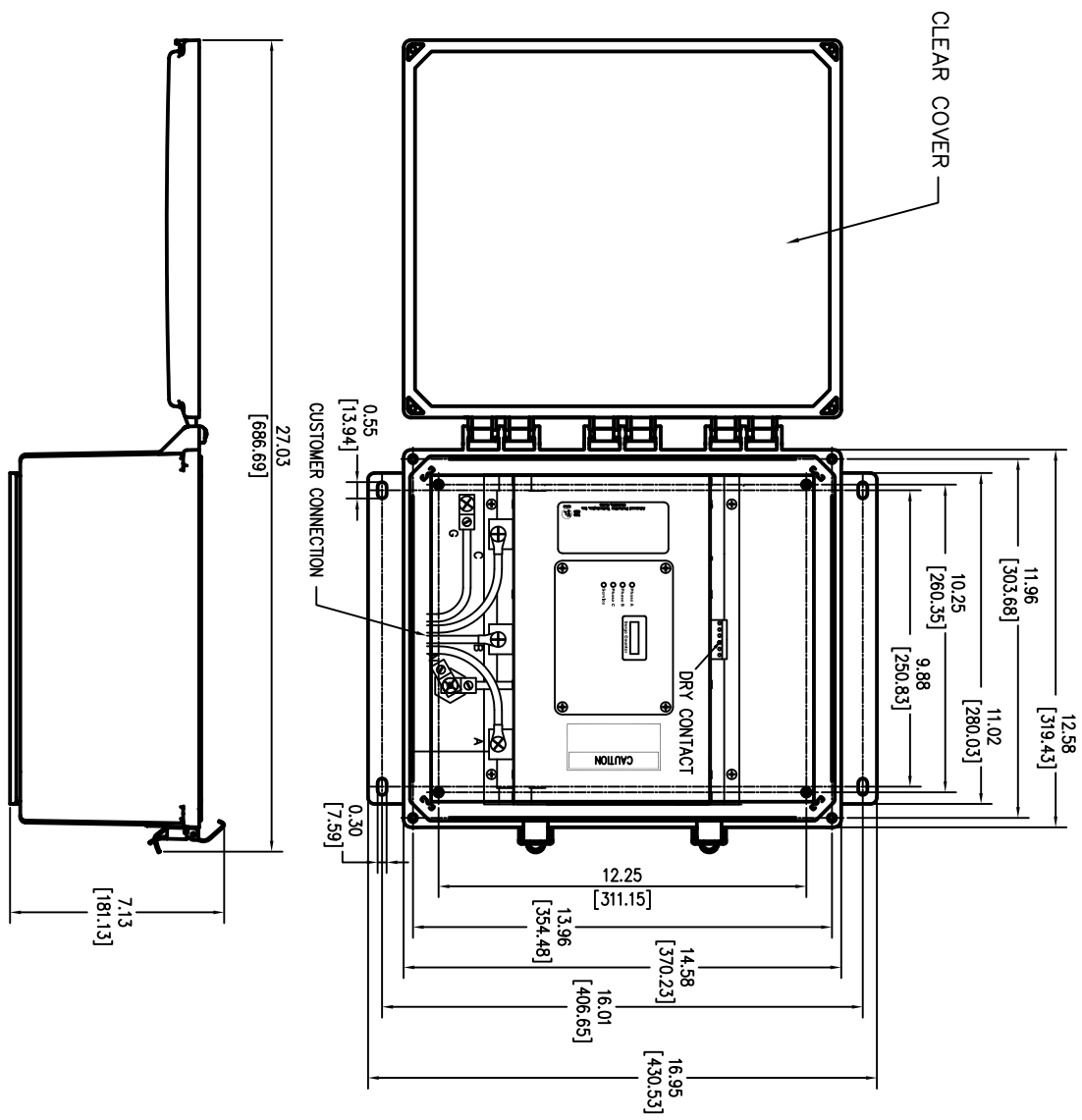


SURGE PROTECTIVE DEVICE (SPD)  
WEIGHTS & DIMENSIONS  
NEMA RATING: 4X NON-METALLIC



ENCLOSURE SPECS.  
DESC: NON-METALLIC ENCLOSURE, HINGED  
DIM: 14"H x 12"W x 7"D  
MAT: POLYCARBONATE  
FINISH: GRAY  
NEMA RATING: 4X  
DEVICE WEIGHT: 14.40LBS. (6.53KG.)

Rev	C.N.	Date
△		Denotes latest changes.
□		Critical dimension.

DESIGNED BY H. DRIGGERS	DATE 6/2/26	Confidential - Property of <b>Siemens Industry, Inc.</b> Building Technologies Division
DRAWN BY MAG	DATE 6/2/26	
TPS3-12 SERIES 400K-500K w/o DS NEMA RATING: 4X		
43D-TPS3-12500-4XPM		
NONE		