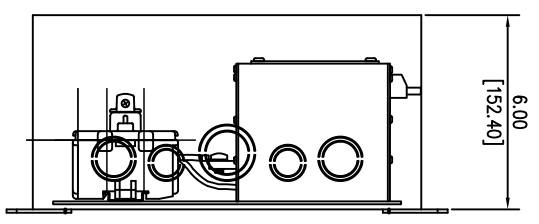
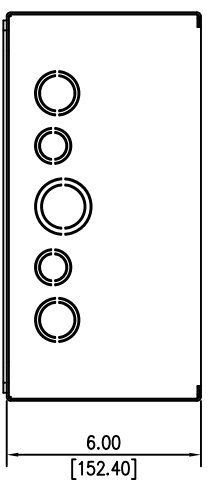
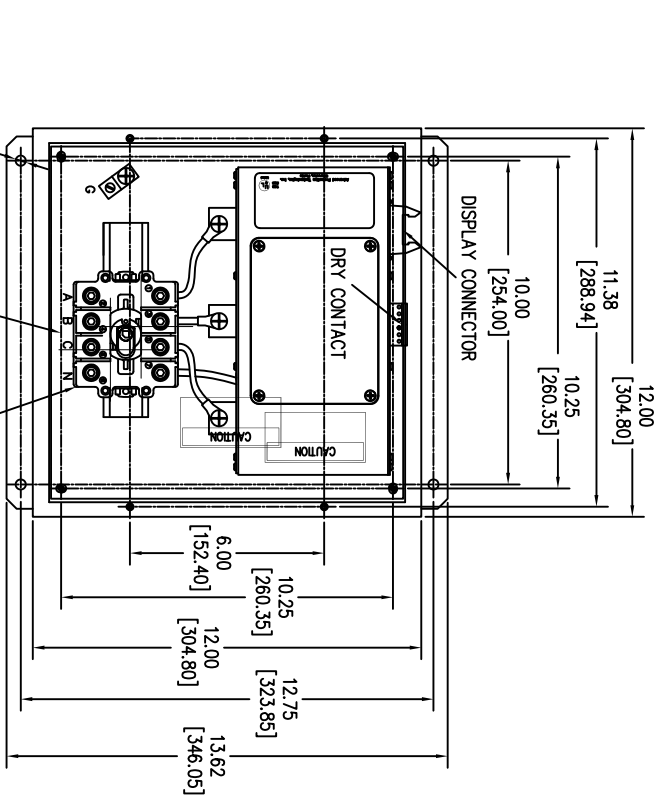
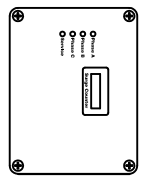
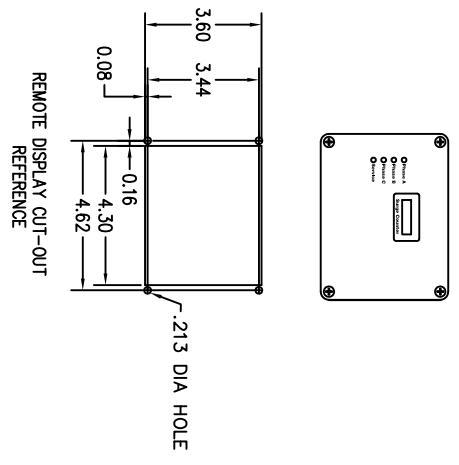
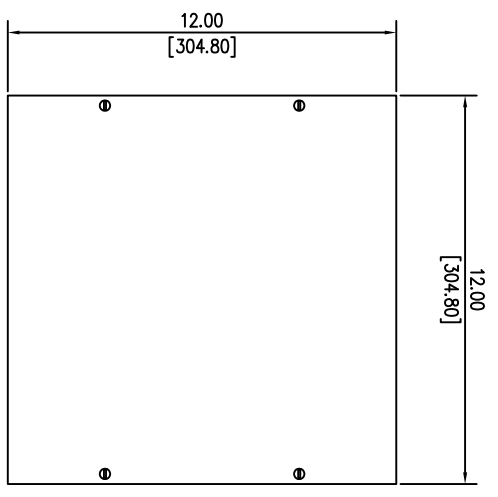


SURGE PROTECTIVE DEVICE (SPD)
WEIGHTS & DIMENSIONS
NEMA RATING: 1



ENCLOSURE SPECS:
DESC: ENCLOSURE, SCREWCOVER PULLBOX
DIM: 12"H x 12"W x 6"D
MAT: CARBON STEEL, 16 GAUGE
FINISH: POWDERCOAT ANSI 61 GRAY
NEMA RATING: 1
DEVICE WEIGHT: 16.20LBS. (7.34KG.)

Rev	C.N.	Date
△		Denotes latest changes.
□		Critical dimension.

DESIGNED BY H. DRIGGERS	DATE 6/2/20	Confidential - Property of Siemens Industry, Inc. Building Technologies Division
DRAWN BY MAG	DATE 6/2/20	
TPS3-12 SERIES 100K-300K w/DS NEMA RATING: 1		43D-TPS3-12300DS-1M NONE
SHEET 1 OF 1		