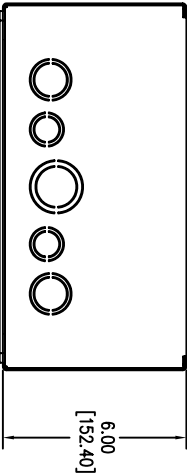
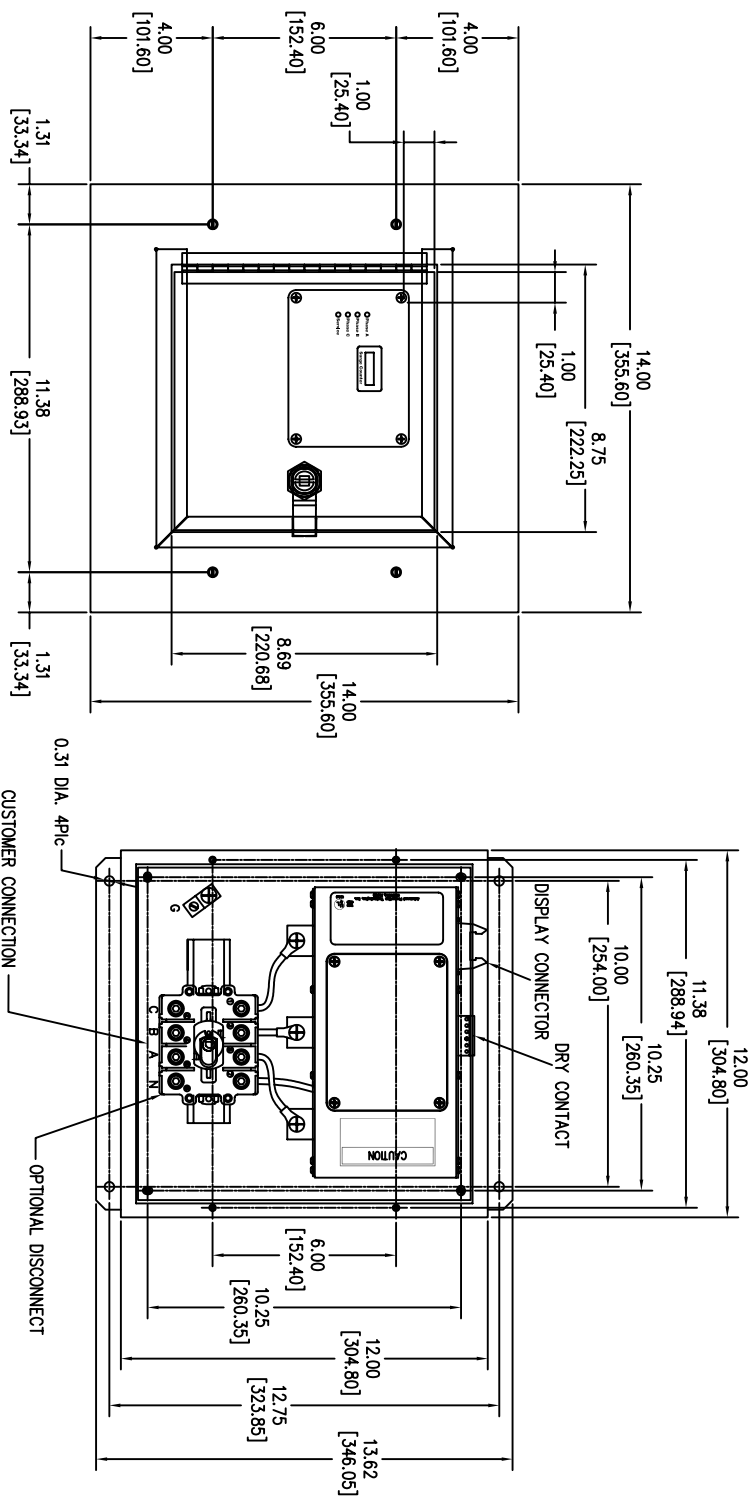


**SURGE PROTECTIVE DEVICE (SPD)  
WEIGHTS & DIMENSIONS  
NEMA RATING: 1 FLUSHMOUNT**



ENCLOSURE SPECS.  
DESC: ENCLOSURE, FLUSHMOUNT PULLBOX  
DIM: 12"H x 12"W x 6"D  
MAT: CARBON STEEL, 16 GAUGE  
FINISH: POWDERCOAT ANSII 61 GRAY  
NEMA RATING: 1  
DEVICE WEIGHT: 20.50LBS. (9.3KG.)

Rev	C.N.	Date
△	-	Denotes latest changes.
□	-	Critical dimension.

DESIGNED BY	H. DRINGERS	DATE	6/17/26
CHECKED BY		DATE	
APPROVED BY		DATE	
DRAWN BY		DATE	
SCALE	NONE		

Siemens Industry, Inc. Building Technologies Division	TPS3-12 SERIES 100K-300K W/DS FLUSHMOUNT NEMA: 1
--	--