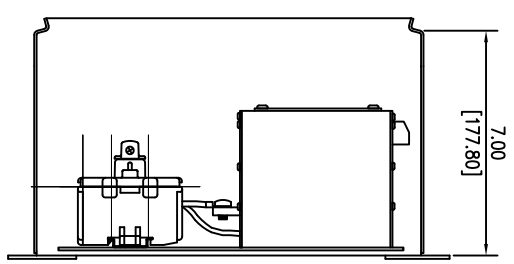
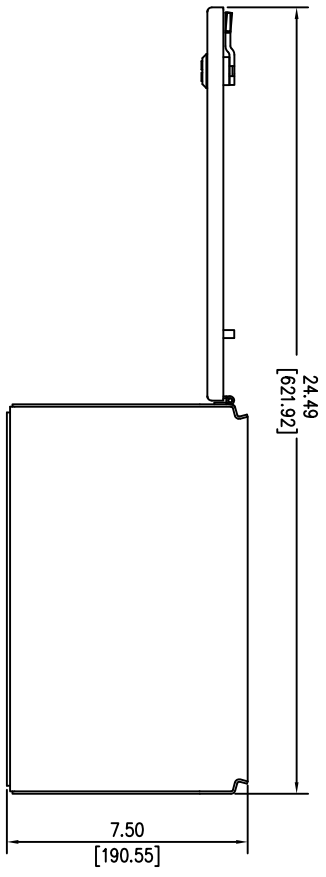
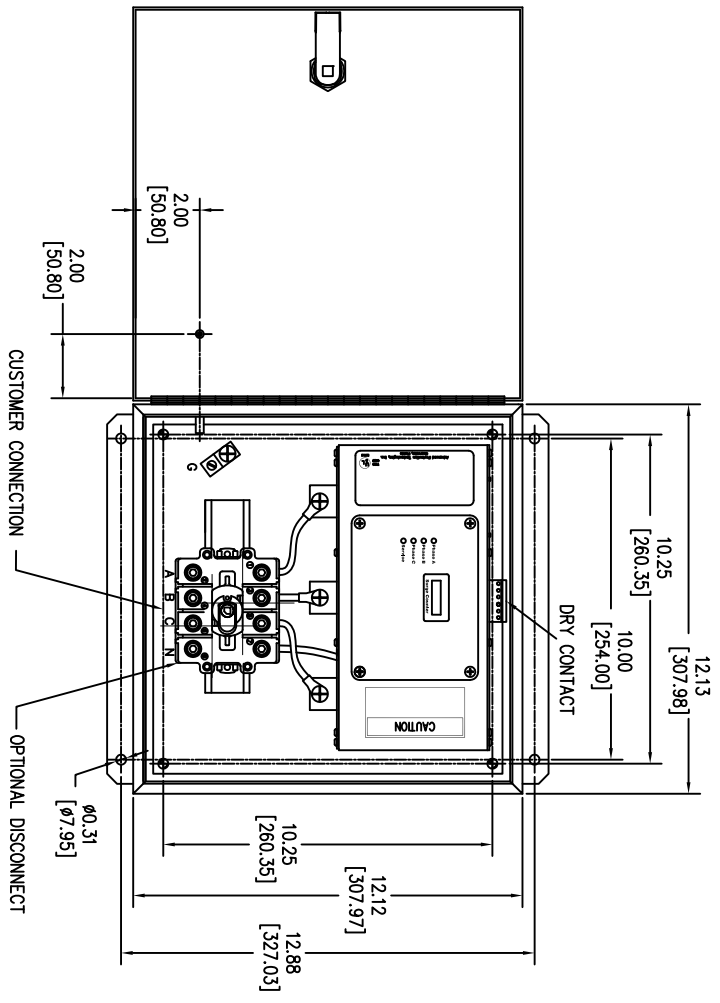


SURGE PROTECTIVE DEVICE (SPD)
 WEIGHTS & DIMENSIONS
 NEMA RATING: 4X STAINLESS STEEL



ENCLOSURE SPECS.
 DESC: ENCLOSURE, HINGED
 DIM: 12"H x 12"W x 7"D
 MAT: STAINLESS STEEL, 14 GAUGE
 FINISH: STAINLESS STEEL
 NEMA RATING: 4X
 DEVICE WEIGHT: 23.60LBS. (10.70KG.)

Rev	C.N.	Date
△	-	Denotes latest changes.
□	-	Critical dimension.

DESIGNED BY H. DRIGGERS	DATE 6/2/26	Confidential - Property of Siemens Industry, Inc. Building Technologies Division
DRAWN BY MAG	DATE 6/2/26	
TPS3-12 SERIES 100K-300K W/DS NEMA RATING: 4X		
43D-TPS3-12300DS-4XM		
NONE		