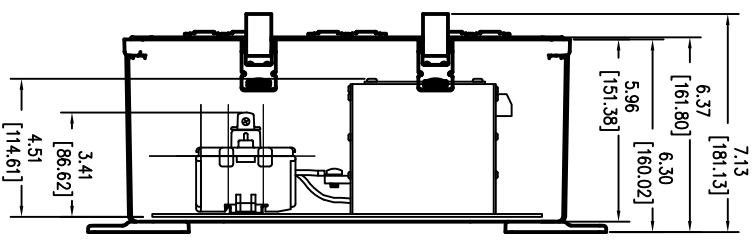
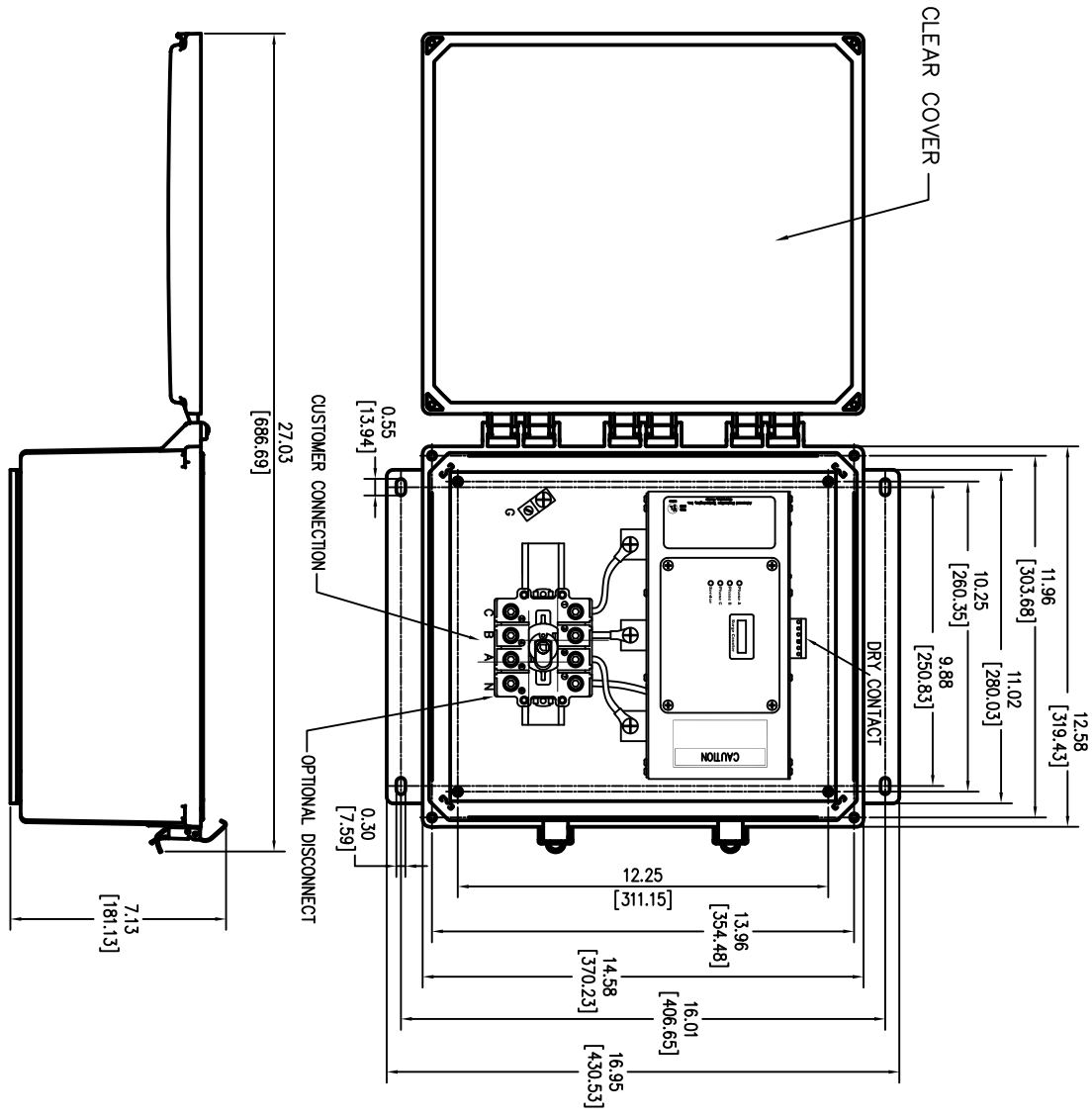


SURGE PROTECTIVE DEVICE (SPD)  
WEIGHTS & DIMENSIONS  
NEMA RATING: 4X NON METALLIC



ENCLOSURE SPECS.  
DESC: NON METALLIC ENCLOSURE, HINGED  
DIM: 14" H x 12" W x 7" D  
MAT: POLYCARBONATE  
FINISH: GRAY  
NEMA RATING: 4X  
DEVICE WEIGHT: 13.80LBS. (6.28KG.)

Rev	C.N.	Date
△	-	Denotes latest changes.
□	-	Critical dimension.

DESIGNED BY H. DRIGGERS DATE 6/2/28	CHECKED BY M.D. DATE 6/27/28	APPROVED BY DATE	Siemens Industry, Inc. Building Technologies Division
TPS3-12 SERIES 100K-300K w/DS NEMA RATING: 4X			43D-TPS3-12300DS-4XPM
NONE			SHEET 1 OF 1