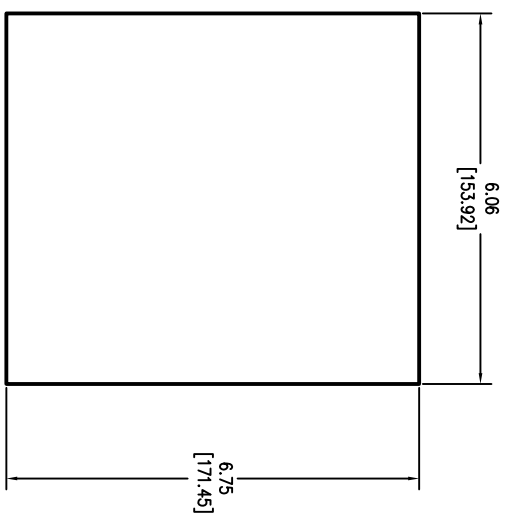
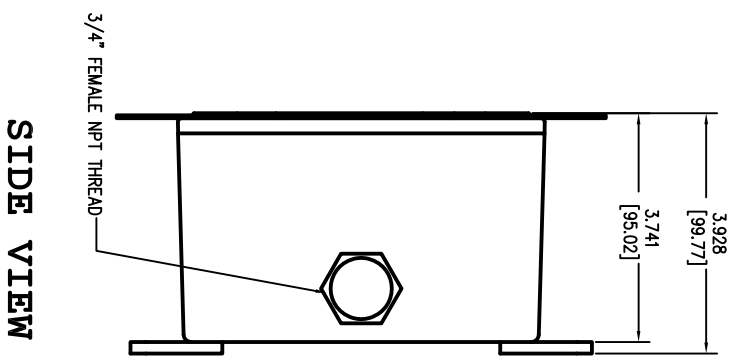
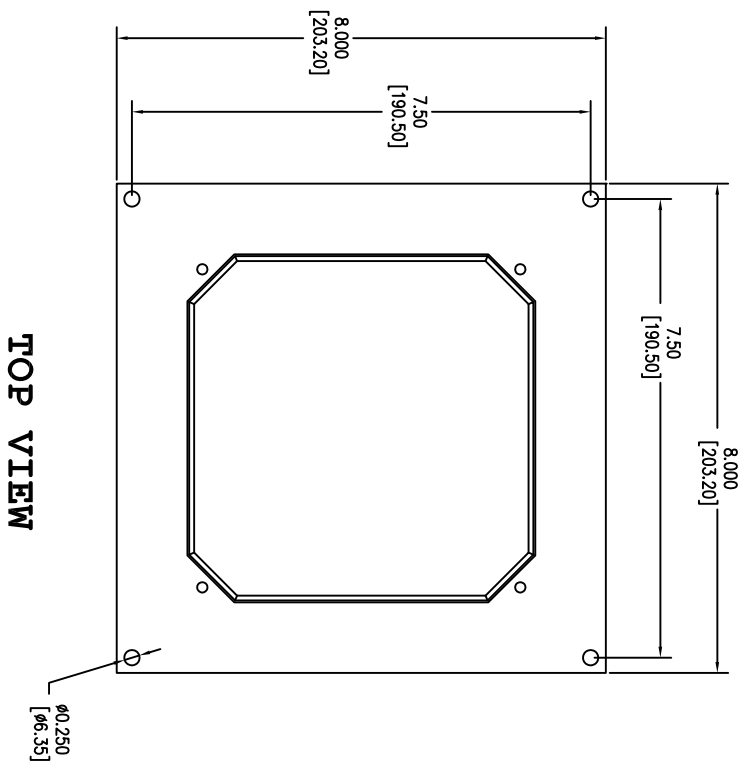


SURGE PROTECTIVE DEVICE (SPD)  
WEIGHTS & DIMENSIONS  
NEMA RATING: 4X NON METALLIC  
FLUSHMOUNT KIT



**MOUNTING HOLE  
IN WALL**

ENCLOSURE SPECS:  
DESC: NON-METALLIC ENCLOSURE  
WITH FLUSHMOUNT KIT  
DIM: 6.00"H x 6.00"W x 3.93"D  
MAT: POLYCARBONATE (V2 & F1)  
FINISH: GRAY  
NEMA RATING: 4X  
DEVICE WEIGHT: 5.29LBS. (2.39KG.)

Rev	C.N.	Date
△		Denotes latest changes.
□		Critical dimension.

DESIGNED BY H. DRIGGERS	DATE 6/17/26	Confidential - Property of <b>Siemens Industry, Inc.</b> Building Technologies Division
DRAWN BY MAD	DATE 6/17/26	
TPS3-11 SERIES 100K-200K FLUSHMOUNT NEMA: 4X		
43D-TPS3-11-FM4XM		
SCALE NONE		
SHEET 1 OF 1		