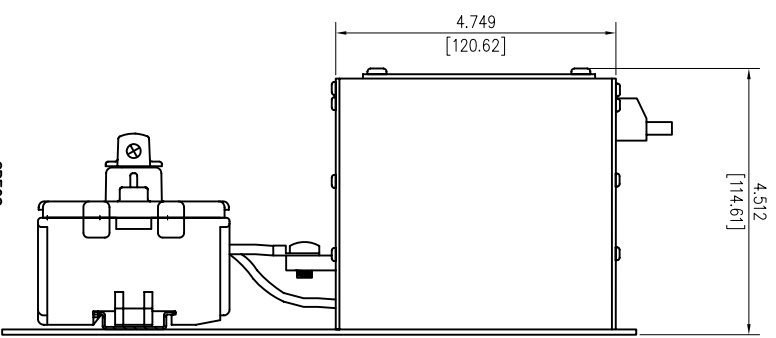
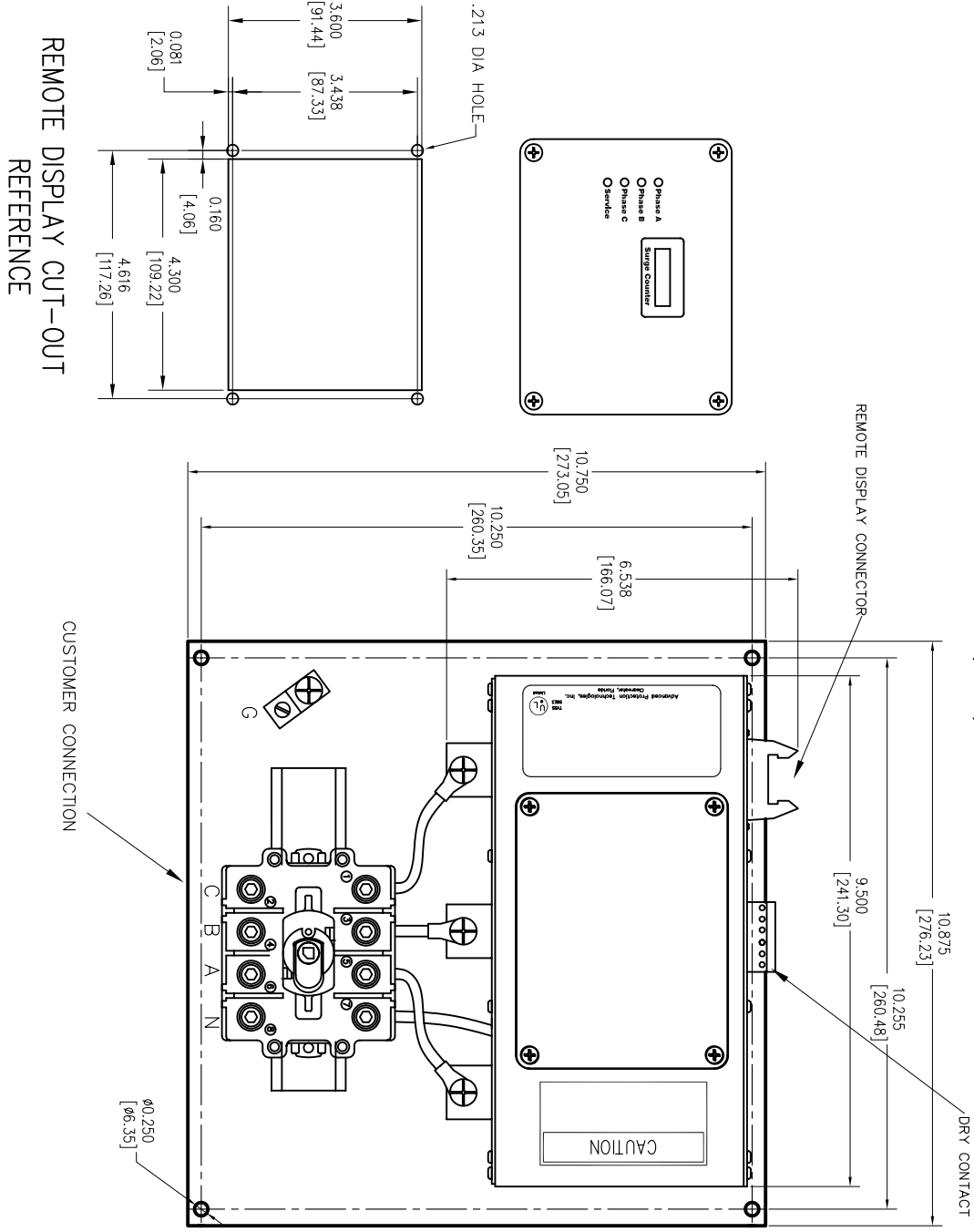


# SURGE PROTECTIVE DEVICE (SPD) WEIGHTS & DIMENSIONS



**SPECS:** TPS3-06-300 INTERNAL MOUNT SPD  
**DESC:** TPS3-06-300 INTERNAL MOUNT SPD WITH DISCONNECT  
**KA RATING:** 100-300  
**In:** 20KA  
**DM:** 10.7"H x 10.8"W x 4.5"D  
**MAT:** ALUMINUM  
**NEMA RATING:** 1  
**DEVICE WEIGHT:** 6.8LBS. (3.0KG.)

Rev	C.N.	Date
△	-	Denotes latest changes.
□	-	Critical dimension.

DESIGNED BY	H. DRIGGERS	DATE	6/17/26
DRAWN BY		DATE	
CHECKED BY		DATE	
APPROVED BY		DATE	

TPS03-06 SERIES  
 100K-300K W/DS  
 INTERNAL MOUNT SPD

43D-TPS3-06-300-M

SHEET 1 OF 1

Confidential - Property of  
**Siemens Industry, Inc.**  
 Building Technologies Division