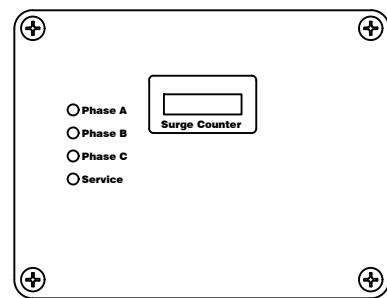
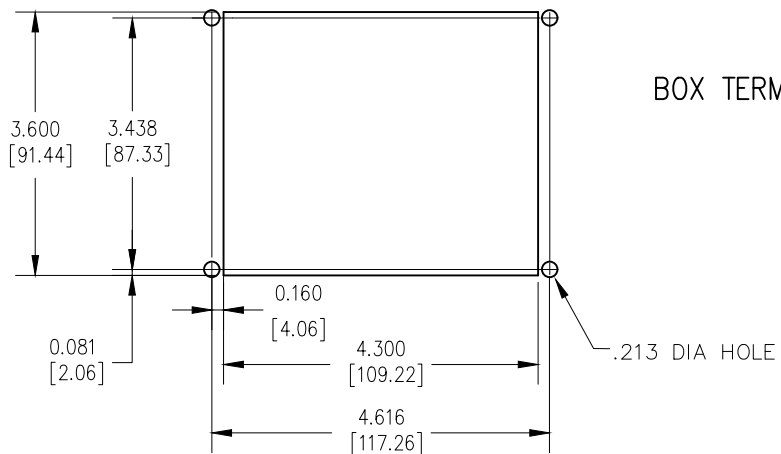


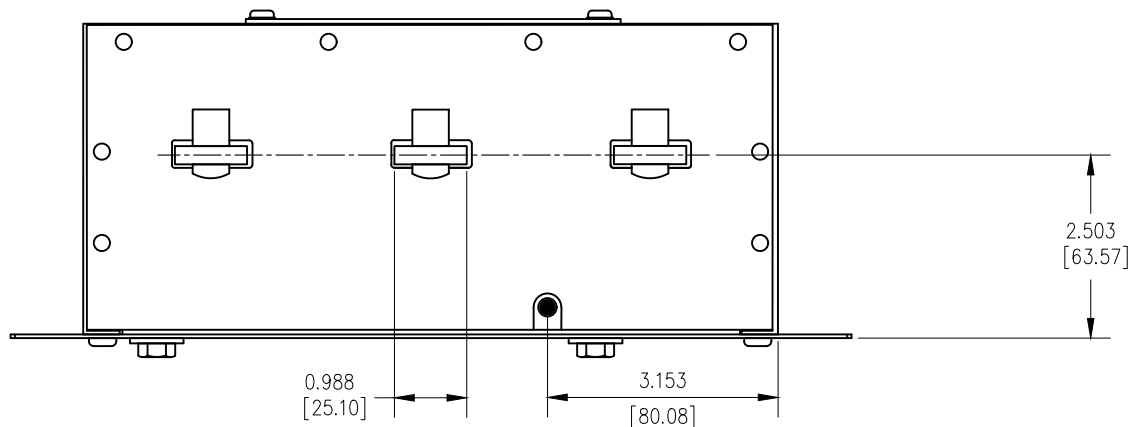
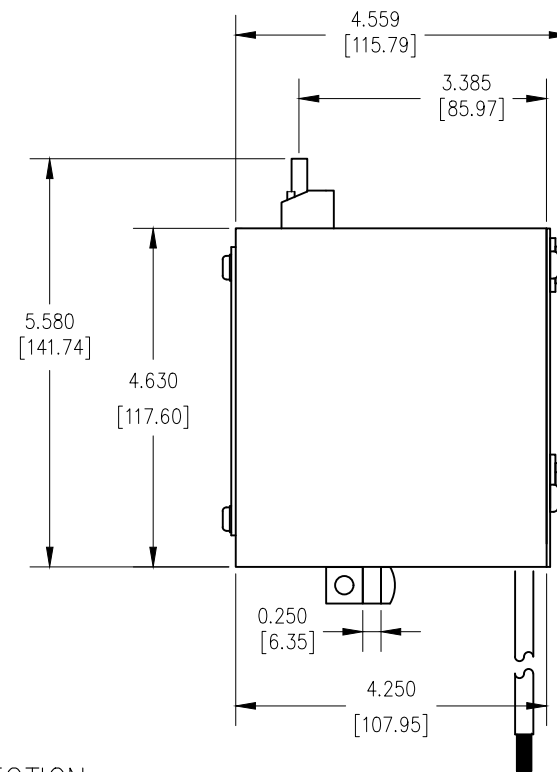
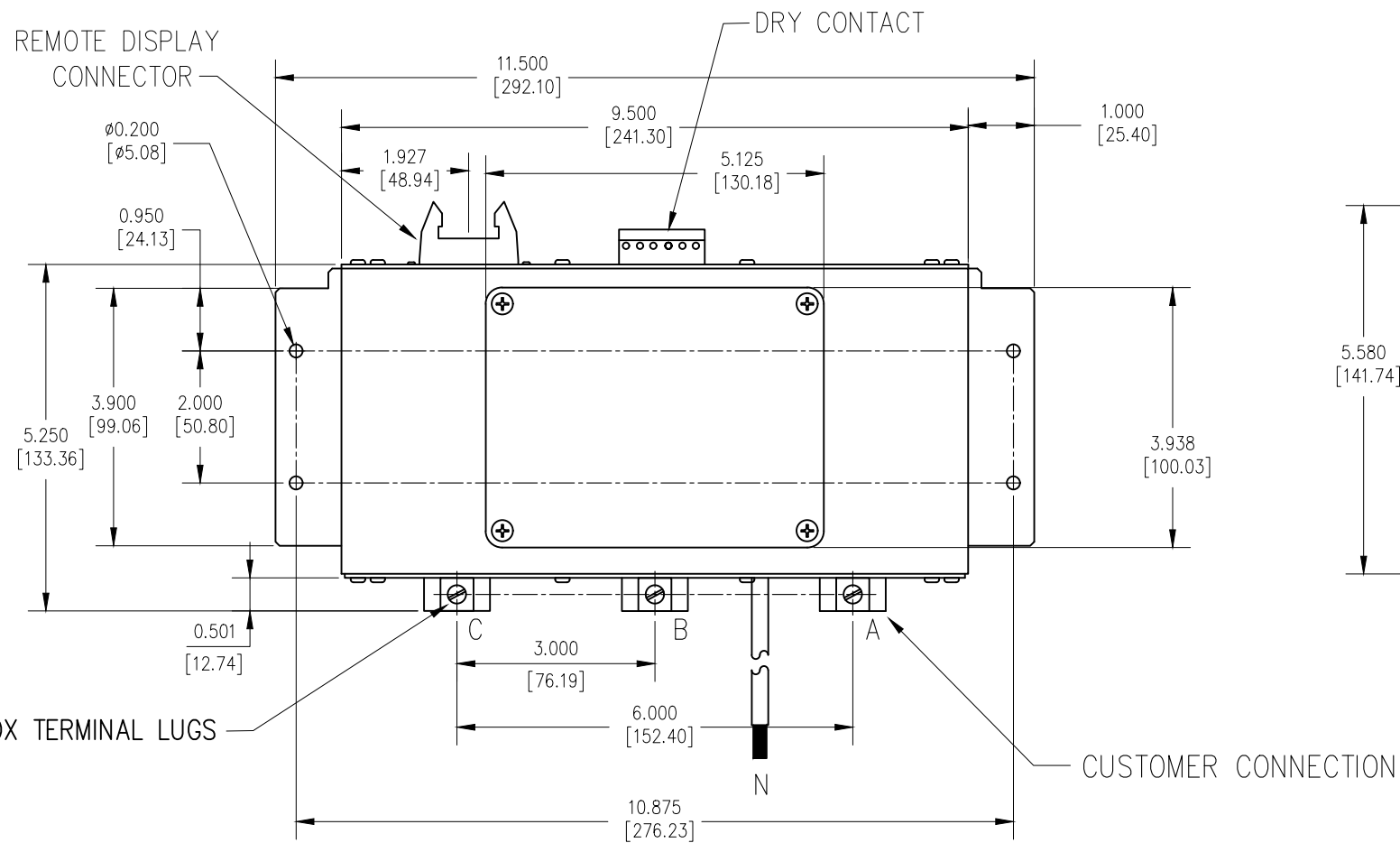
SURGE PROTECTIVE DEVICE (SPD) WEIGHTS & DIMENSIONS



REMOTE DISPLAY



REMOTE DISPLAY CUT-OUT REFERENCE



SPECS.
 DESC: TPS3-01-MCC SPD MODULE
 WITH OPTION (M) MOTOR CONTROL CENTER
 KA RATING: 100-300
 In RATTING: 20KA
 OVERALL DIM: 11.5"L x 5.58"W x 4.5"D
 MAT: ALUMINUM, 16 GAUGE
 FINISH: BLACK ANNOXIDIZED
 NEMA RATING: 1
 DEVICE WEIGHT: 4.55 LBS. (2.06 KG.)

Rev	Date	Unless otherwise specified dimensions are in inches. Tolerances are non-cumulative and are as follows unless specified otherwise. .XX ± .020 .XXX ± .005 Angular ± 2° Do not scale drawing	Property of Siemens Industry, Inc.
C.N.	DRAWN H. DRIGGERS 8/17/09 ENGINEER M.JG 8/17/09 APPROVAL		
1		TPS3-01-MCC 100-300K SPD MODULE	DWG NO. SIE_DW_TPS30130-M SCALE NONE SHEET 1 of 1