

Catalog number  
**JC0406L1200H**

Panelboard Rating  
 200 Amps, Max  
 120/240 Volts ~, 1 phase, 3 wire  
 208Y/120 Volts ~, 1 phase, 3 wire  
 (Derived from 3 phase – 4 wire system)

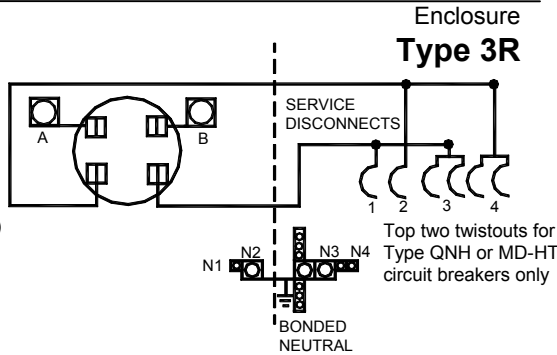
Meter Socket Rating  
 200 Amps Continuous

**Suitable Only For Use As Service Equipment**

Only single pole circuit breakers rated greater than 30 amps may be used to comply with Lighting and Appliance Panelboard requirements.

**For Overhead or Underground Service**

Use 60/75° C Copper or Aluminum Conductor in Terminals A, B, N1, N2, N3, and N4.



- 1 \_\_\_\_\_
- 2 \_\_\_\_\_
- 3 \_\_\_\_\_
- 4 \_\_\_\_\_

Accessories  
 Filler Plate Cat. No. QF3

Terminal	Wire Size	Torque
A, B	250 kcmil - #6	275 lb in
N1	#2-#3	50 lb in
	#4-#6	45 lb in
	#8	40 lb in
	#10-#14	35 lb in
N2	250 kcmil - #6	275 lb in
N3	250 kcmil - #4	275 lb in
N4	1/0-#14	120 lb in
Branch breaker terminals	See Markings on breaker	
Neutral bar	#10-14 Cu/	20 lb in
	#10-12 Al	
	#8	25 lb in
	#4-6	35 lb in

If hub is required, the catalog numbers listed below may be used on this enclosure

Trade size (in)	Catalog number
1 1/4"	RX125
1 1/2"	RX150
2"	RX200
2 1/2"	RX250

**General Information:**  
 Remove twistouts from deadfront only where breakers will be installed. All openings must be filled with breakers or filler plates.  
 Circuit Breaker overload trip position is indicated by handle position midway between ON and OFF. To reset, move handle to OFF position then turn ON.  
 For installation in accordance with all local Electrical codes and/or the National Electrical Code®.

Short Circuit Current Rating (Watt-hour Meter not included in short circuit rating)  
 The panelboard has a maximum short circuit rating of 22,000 RMS symmetrical amperes, 120/240 volts ~. The actual rating is equal to the lowest rating of any breaker installed. Any circuit breaker replaced or added in this panelboard must be manufactured by Siemens or Murray and must be the types listed below.

**J2** E10703

Assembled in Mexico

Part No. 4099558 Rev C

**Important**

This equipment has been designed for use only with Murray Type, MP-T, MP-GT, MP-HGT, MP-HT, MH-T, MP-AT, MP-HAT, MP-ET, MP-HET, MD-HT, MD-T or Siemens Type QP, QT, QPF, QPHF, QE, QEH, QAF, QAFH, QN, or QNH Circuit Breakers. Use of other circuit breakers in this equipment will void the warranty.

Do not spray or allow any petroleum based chemicals, solvents, or paint to contact interior components.

® The National Electrical Code is a recognized trademark of National Fire Protection Association.

**Murray Electrical Products**  
 Siemens Energy & Automation, Inc.  
 Alpharetta, Georgia U.S.A.

