

EUSERC Meter/Load Center Combinations

Flush Mount (JA2040B1200FED)

FEATURES

- UL Listed only for use as service entrance equipment
- NEMA Type 3R enclosure with painted, G90 galvanized steel
- 22,000A IC rating
- Underground feed only
- Ring style meter cover
- Tin plated copper bus bars
- 7" deep can
- Steel breaker mounting base pan
- *INSTA-WIRE* neutrals and grounds
- Visible neutrals and grounds
- Side-hinged load center door; requires the removal of only one screw to remove door
- Semi-flush mounting
- Adjustable flush rails for 2x4 or 2x6 installations
- Key hole shaped mounting holes for easy hanging
- Deadfront pull ring
- Captive deadfront screw
- See wiring diagram for lug sizes and torque data

ACCESSORIES

- Bottom end wall has type HC hub provisions:
 - EHC200 (2")
 - EHC250 (2-1/2")
 - EHC300 (3")
- Ground bar kits:
 - ECGB5, ECGB10, ECGB14
 - (check wiring diagram for limitations)
- 2/0 - #4 wire range Lug Kit: ECLK2
- 5th Jaw Assembly: EMC5J
- Mechanical Breaker Interlock: ECQML12
- Meter Socket Jumper: ECJS
- Filler Plate: QF3 or ECQF3



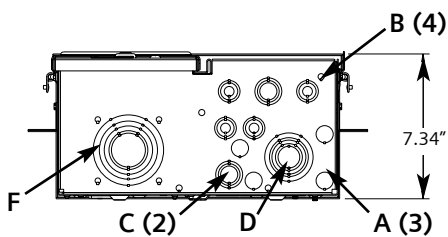
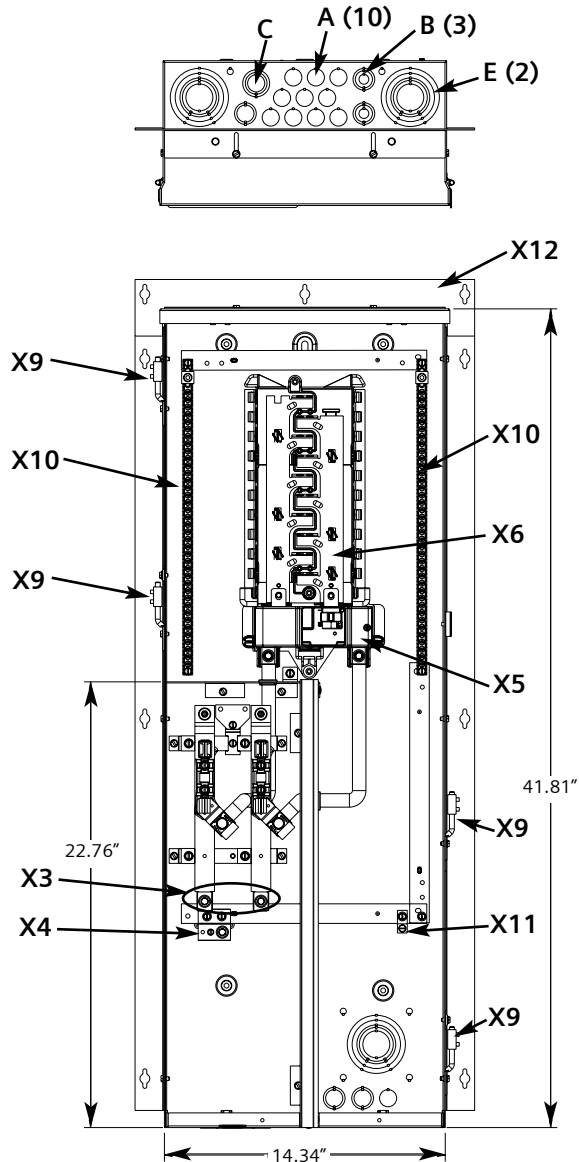
Main Ampere Rating	Catalog Number	No. of Circuits	No. of Spaces
200	JA2040B1200FED	20	40

fastfax

MURRAY

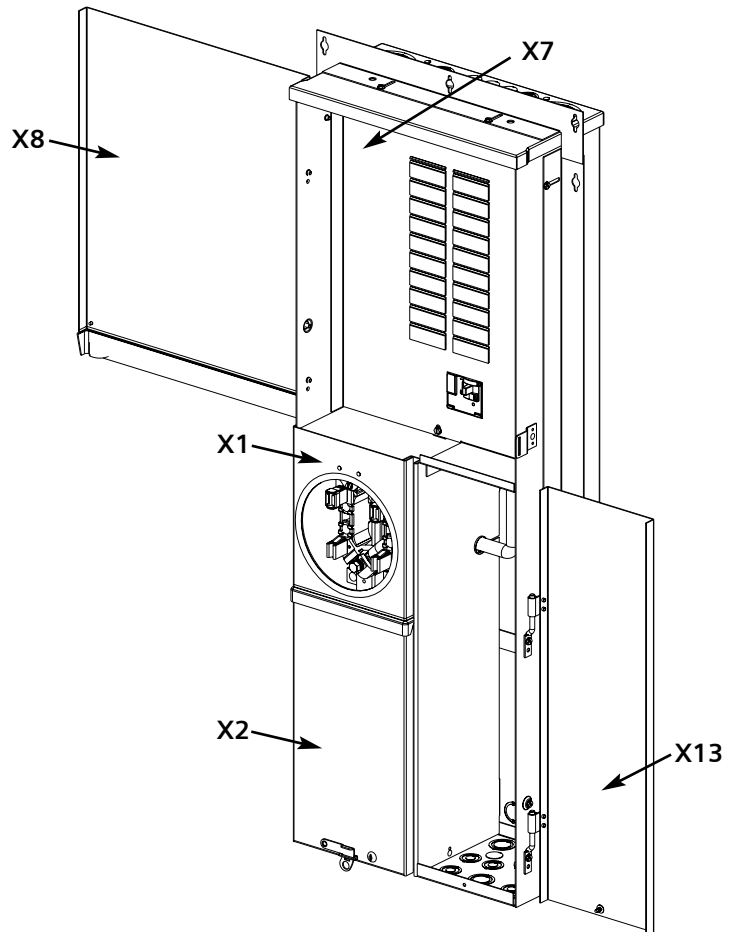
EUSERC Meter/Load Center Combinations

Dimensions, Knockout Diagrams, Replacement Parts



Knockout Schedule

- A = 1/2"
- B = 1/2", 3/4"
- C = 1/2", 3/4", 1"
- D = 3/4", 1", 1-1/4", 1-1/2", 2"
- E = 1", 1-1/4", 1-1/2", 2", 2-1/2"
- F = 1-1/4", 1-1/2", 2", 2-1/2", 3"
- G = 0.31" diameter Ground Wire K.O.



Replacement Parts

Replacement Parts are to be ordered as an "ITESA2 Special" using the descriptions following the X reference below:

X Reference	Description	Part No.
X1	Meter Cover	5459646
X2	Pull Section Cover and Latch	54559648
X3	Line Phase Lugs	6519920
X4	Utility Neutral Lug	6529980
X5	Main Breaker	MBK200M
X6	Load Center Interior	8019863
X7	Deadfront	5329571
X8	Load Center Door	5459649
X9	Door Hinge Pin	5819903, 5819904
X10	Neutral Bar	8029146
X11	Load Center Ground Lug	36503
X12	Flush Rails	5619941, 5619943
X13	Load Pull Section Door	5459647