

Rainproof Combination Metering

Catalog number

JA0816B1200RT

Enclosure

Type 3R

Panelboard Rating

200 Amps
120/240 Volts ~, 1 phase, 3 wire
(Derived from 3 phase – 4 wire system)

Meter Socket Rating

200 Amps Continuous

Suitable Only For Use As Service Equipment

Only single pole circuit breakers rated greater than 30 amps may be used to comply with Lighting and Appliance Panelboard requirements.

For Overhead Service

Use 60/75° C Copper or

Aluminum Conductor in Terminals

A, B, N1, N2, N3, A2, and B2
Sum of QP, QT, QPF, MP-T, MH-T, MP-GT
Breakers not to exceed 80 amps per stab.
AFCI and 2-Pole GFCI breakers may be installed in positions 1, 3, 5, and 7 only.

Terminal	Wire Size	Torque
A, B	250 kcmil - #6	275 lb in
N1	250 kcmil - #6	275 lb in
N2	250 kcmil- #6	275 lb in
N3	2/0-#14	120 lb in
A2, B2	250 kcmil - #4	250 lb in
Neutral bar	#10-14 Cu/ #10-12 Al	20 lb in
	#8	25 lb in
	#6-4	35 lb in
Branch Breakers	See Markings on Breaker	

Accessories

Filler Plate Cat. No. QF3

If hub is required, the catalog numbers listed below may be used on this enclosure

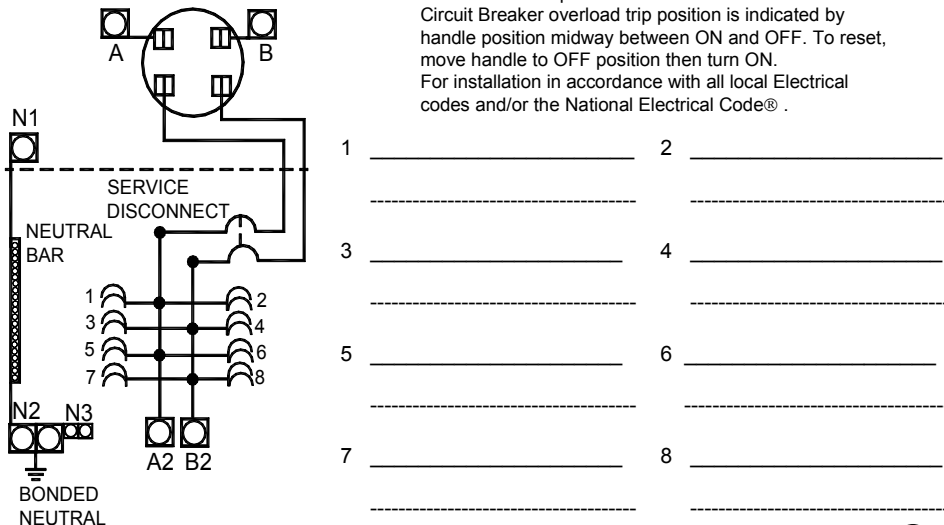
Trade size (in)	Catalog number
1 ¼"	RX125
1 ½"	RX150
2"	RX200
2 ½"	RX250

General Information:

Remove twistouts from deadfront only where breakers will be installed. All openings must be filled with breakers or filler plates.

Circuit Breaker overload trip position is indicated by handle position midway between ON and OFF. To reset, move handle to OFF position then turn ON.

For installation in accordance with all local Electrical codes and/or the National Electrical Code®.



Short Circuit Current Rating (Wattour Meter not included in short circuit rating)

E10703 (J2)

This panelboard has a Siemens Type QNRH or Murray Type MD-HTR circuit breaker installed and has a maximum short circuit rating of 22,000 RMS symmetrical amperes, 120/240 volts ~. Any circuit breaker replaced or added in this panelboard must be manufactured by Siemens and must be the types listed below.

Main Breaker	Branch Breaker	Then the maximum short circuit rating in RMS symmetrical amperes, 120/240 Volts ~ is:
When the Main Breaker is:	And the branch breakers installed are Siemens or Murray Type:	
QNRH or MD-HTR	QP, QT, QPF, QPHF, QE, QEH, QAF, QAFH, QNR, MP-T, MP-GT, MP-HGT, MP-HT, MH-T, MP-AT, MP-HAT, MP-ET, MP-HET, MD-TR	22,000

Assembled in Mexico

Part No. 4099551 Rev E

Important

This equipment has been designed for use only with Murray or Siemens Type Circuit Breakers. Use of other circuit breakers in this equipment will void the warranty.

Do not spray or allow any petroleum based chemicals, solvents, or paint to contact interior components.

® The National Electrical Code is a recognized trademark of National Fire Protection Association.

Murray Electrical Products

Siemens Energy & Automation, Inc.

Alpharetta, Georgia U.S.A.

