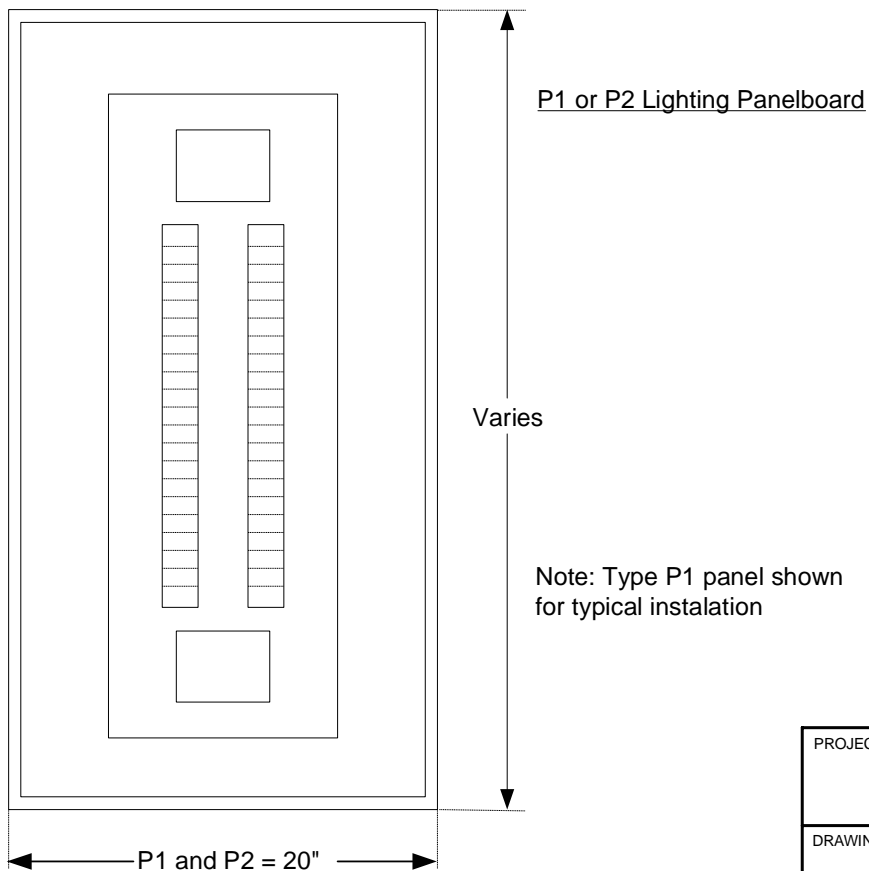
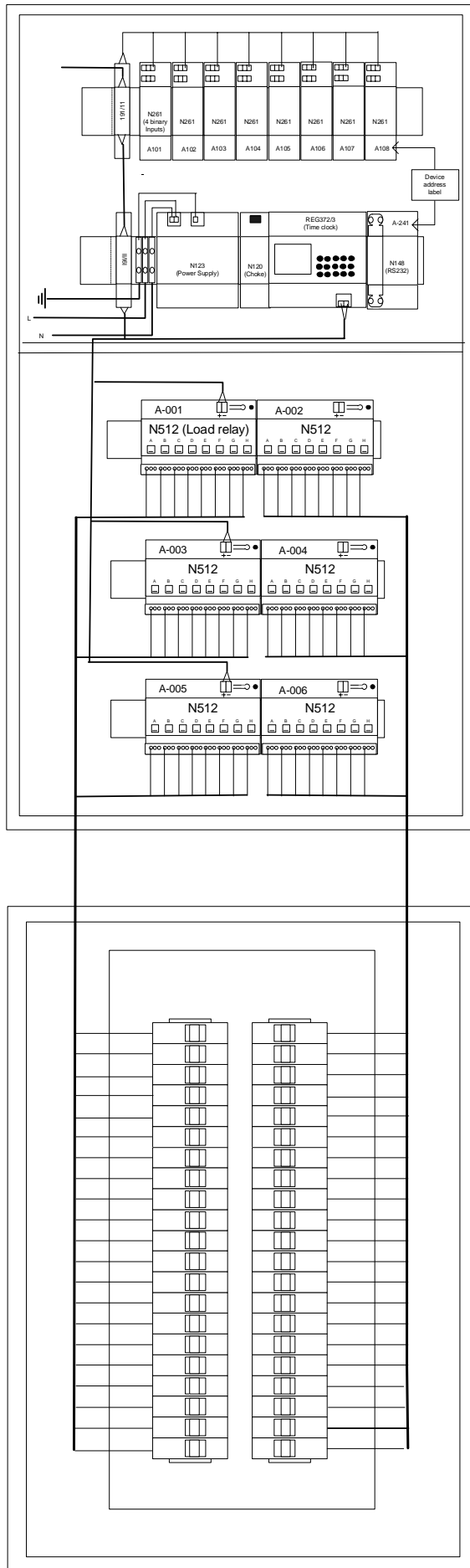


Box Depth
P1 and P2 = 5.75 "

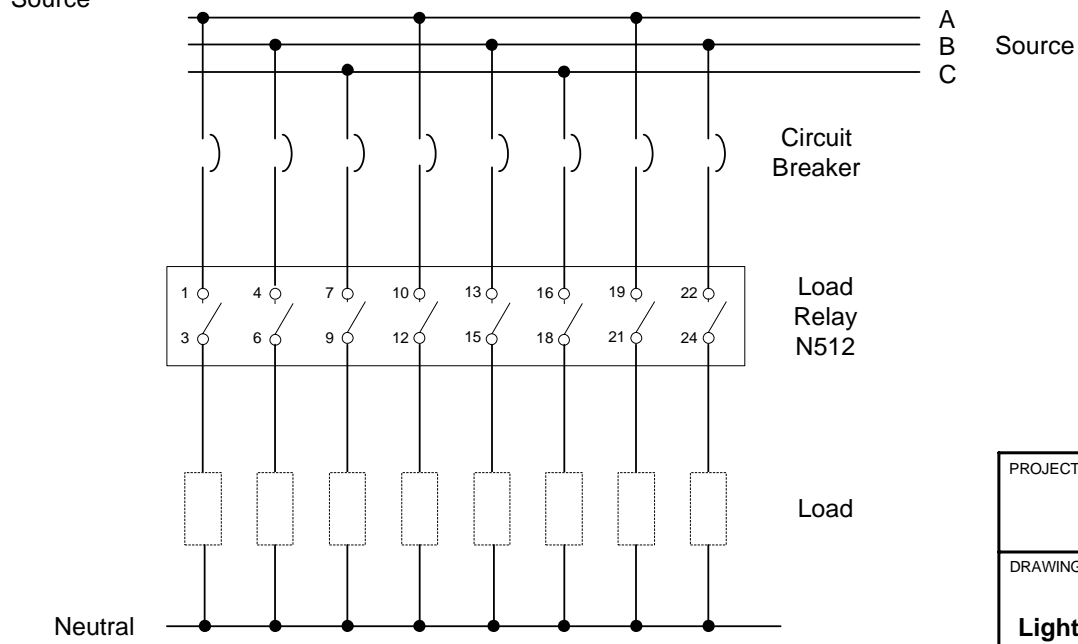
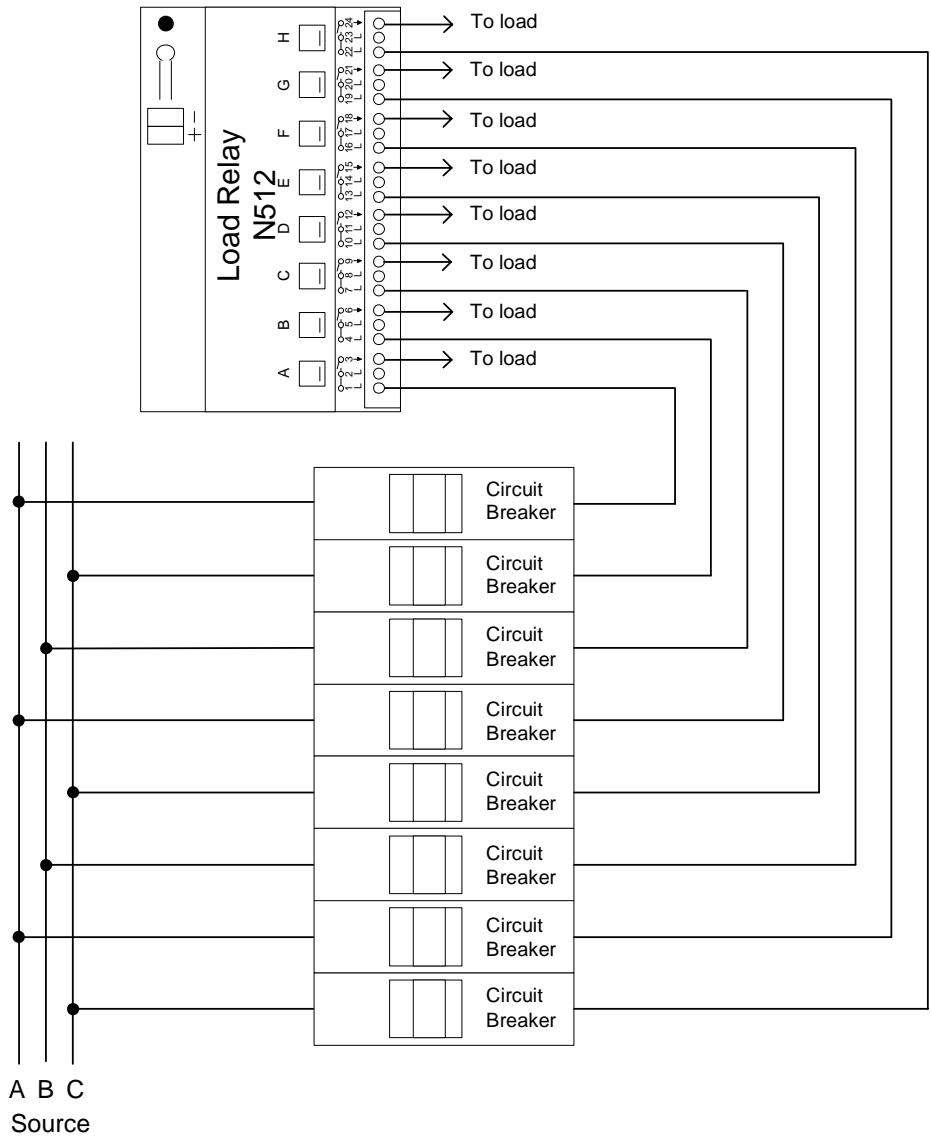


Note: Type P1 panel shown
for typical installation

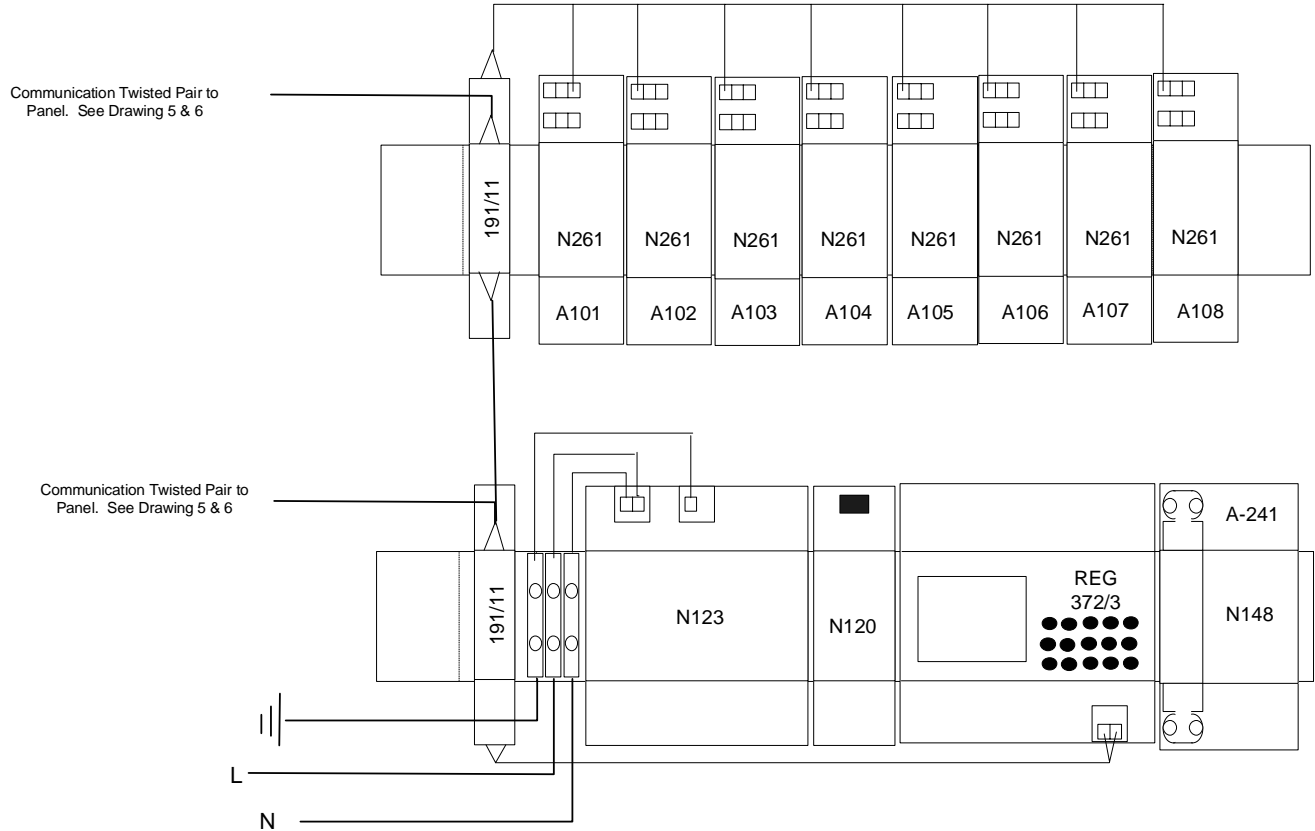
PROJECT NAME :	
-	
DRAWING TITLE :	
LCP3000EZ Lighting Control Panel	
DATE :	DRAWING NO.
8/2005	1



PROJECT NAME :	
-	
DRAWING TITLE :	
LCP3000EZ	
Lighting Control Panel	
DATE :	DRAWING NO.
8/2005	2

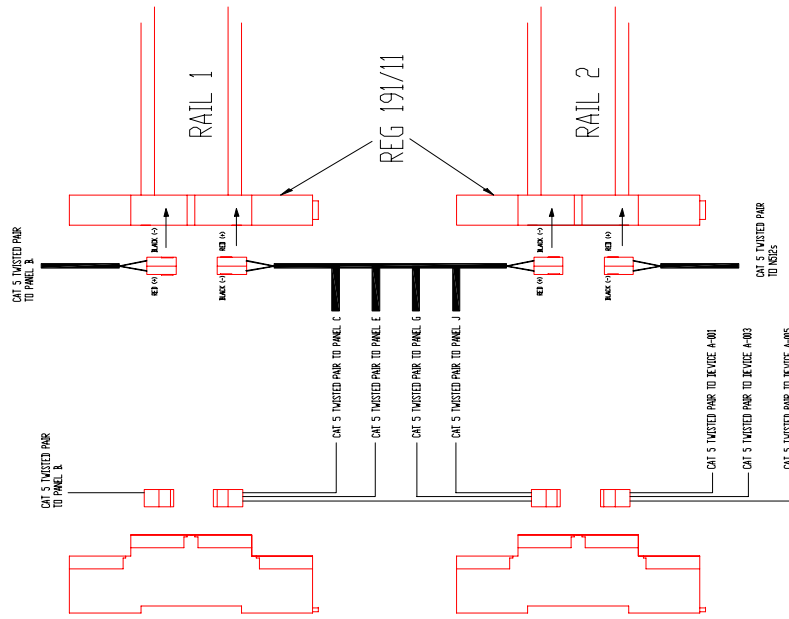


PROJECT NAME :	
-	
-	
DRAWING TITLE :	
LCP3000EZ	
Lighting Control Panel	
DATE :	DRAWING NO.
8/2005	3

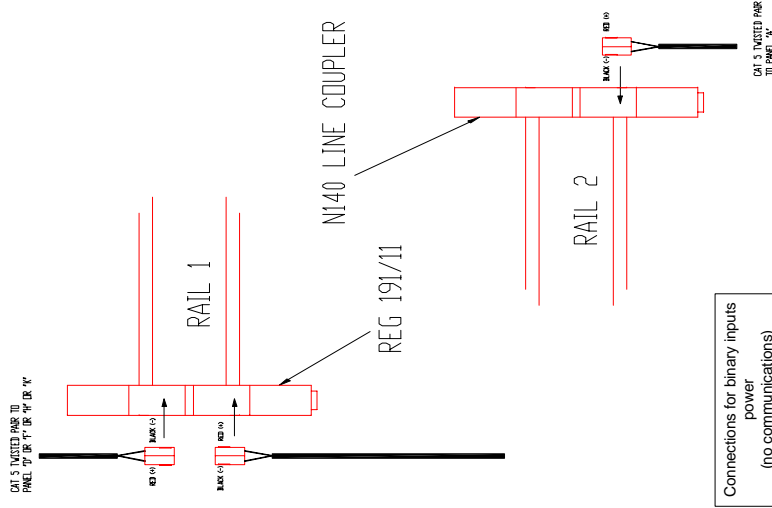


PROJECT NAME :	
-	
DRAWING TITLE :	
LCP3000EZ Lighting Control Panel	
DATE :	DRAWING NO.
8/2005	4

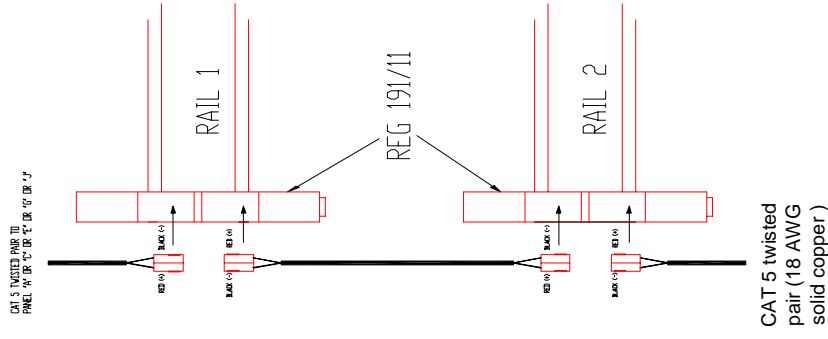
DETAIL "A"



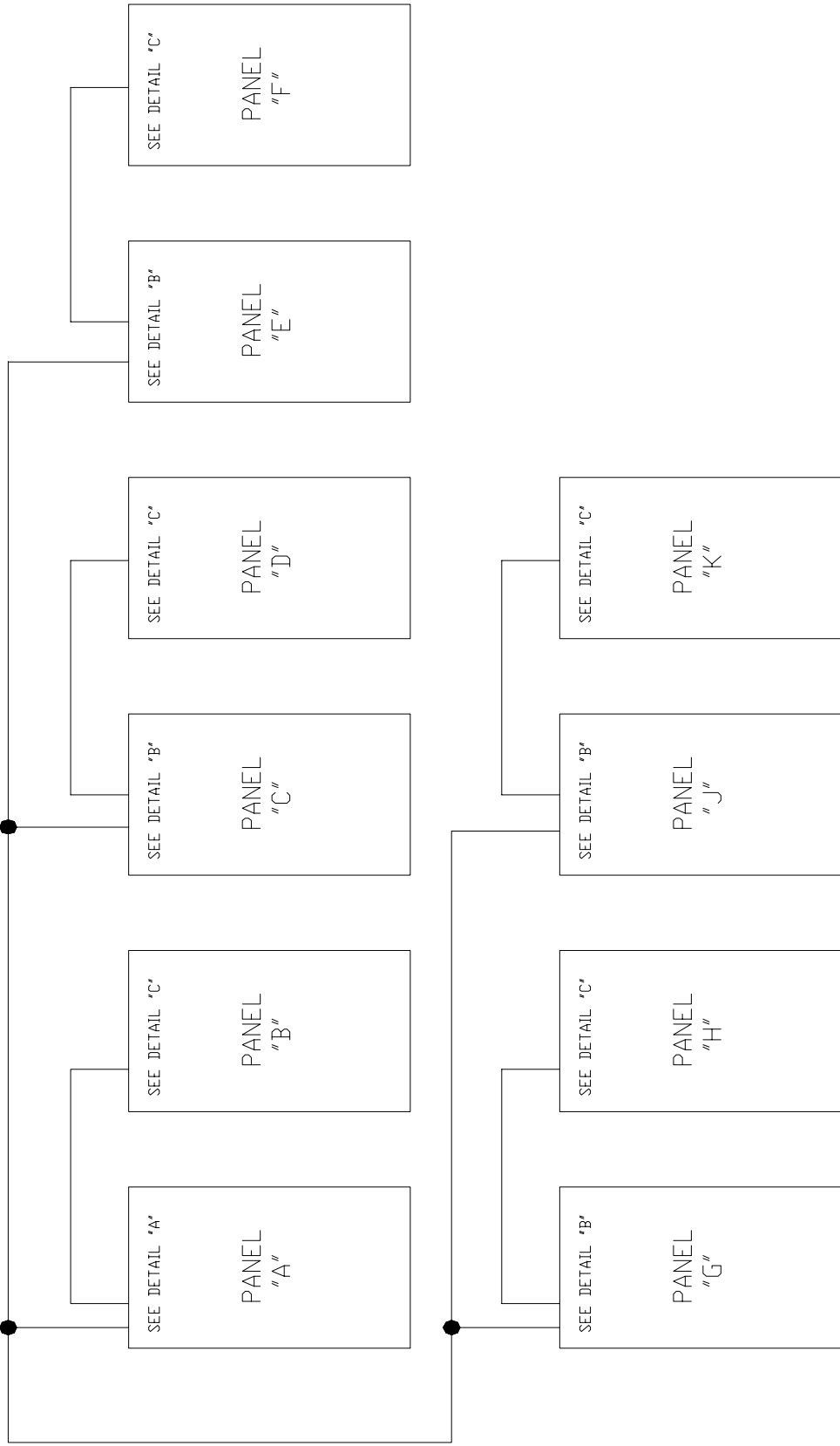
DETAIL "B"



DETAIL "C"



PROJECT NAME :	-
DRAWING TITLE :	-
DATE :	8/2005
DRAWING NO. :	5



PROJECT NAME :	-	-
DRAWING TITLE :	LCP3000EZ Lighting Control Panel	
DATE :	8/2005	DRAWING NO. 6