

Binary Input  
N 261 LCP3000EZ  
Data Sheet



# product GUIDE



**SIEMENS**

Global network of innovation

## Binary Input N 261



## 5WG1 261-1CB01

### Product Description

The binary input N 261 is an N-system DIN-rail mounted device with four inputs. The required voltage must be provided by an additional AC 24 V or DC 24 V power supply unit. Each of the inputs can be assigned various tasks depending on the application program used, i.e. the binary input N 261 consists of the device (hardware) and its application programs (software).

Appropriate application programs are available for the different tasks the binary input N 261 can handle; e.g. sending of ON and OFF messages at different edges of the input signal either event controlled or cyclic with programmable repetition.

## Technical Specifications

### POWER SUPPLY

Class 2 via bus line, 24V DC.

### INPUTS

- Number: 4 inputs
- Input signal voltage:
  - Rated value: 24V AC/DC
  - Frequency: 47... 63 Hz (at 24V AC)
- Signal "0": -30...+5V DC, 0... 5 VAC
- Signal "1": +10... +30V DC, 10... 30V AC
- Input current:
- At "1": usually 3,5 mA (at 24V AC) and, 6 mA (at 24V DC)
- Input signal length: min. 50 ms
- Input characteristic: set in parameter list according to application program
- Length of input signal cable: max. 110 yards (100 m).

### CONTROL ELEMENTS

One learning button: for switching between normal operating mode and addressing mode

### DISPLAY ELEMENTS

One red LED: for monitoring bus voltage and displaying mode, selected with the learning button

### CONNECTIONS: •

- Signal inputs, screw less plug-in terminals
- Load circuit: AWG # 20-14 solid Cu
  - Bus line: bus line: One screwless bus connection block AWG #20-18 solid Cu, pressure contacts on data rail.

### PHYSICAL SPECIFICATIONS

- Housing: plastic
- N-system DIN-rail mounted device, width:1.42" (36 mm).
- Weight: approx. 0.33 Lb (150 gr)
- Installation: rapid mounting on DIN EN 50022-35 x 7,5 rail.

### RELIABILITY

99.95% based on 1,000,000 units/10 years of operation.

### ELECTROMAGNETIC COMPATIBILITY

Complies with Part 15 of the FCC rules pursuant to the limits for a Class A digital device.

### ENVIRONMENTAL SPECIFICATIONS

- Ambient temperature operating: 23°F... 113°F (-5... +45°C)
- Ambient temperature non-op.: -13°F... 158°F (-25... +70°C)
- Relative humidity (non-condensing): 5% to 93%

### LISTINGS AND CERTIFICATIONS

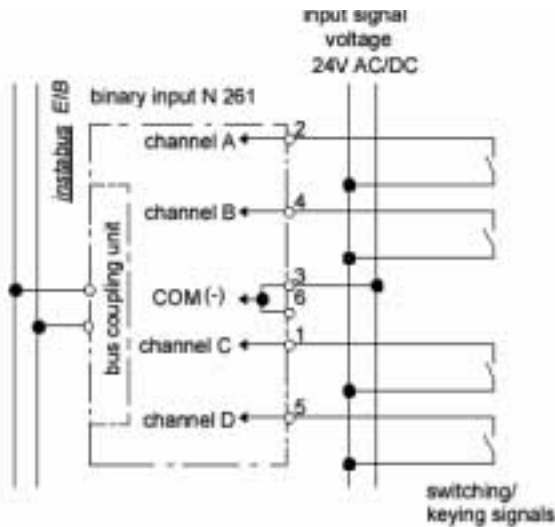
UL listed (E173 174)  
UL 916, Energy Management  
Equipment Accessory

CSA certification  
(pending)

EIB certified

Complies with EMC regulations  
(residential and non-residential  
buildings), and low voltage regulations

## Typical Operation



## WARNING

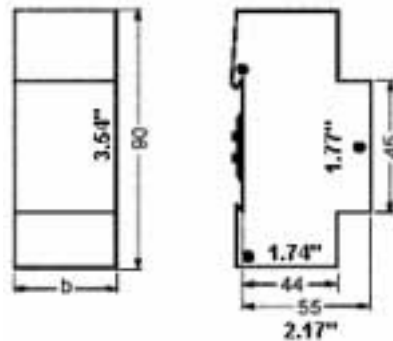
When looping through the shared COM-conductor (connection blocks 3 and 6), take care that the maximum connection current of 2 A (as governed by the maximum permissible printed conductor load) is not exceeded!

## Dimension Diagram

### Dimensions in mm

$b = 3 \text{ TE}$

1 Spacer unit (1 SU) = 18 mm (0.71")



## WARNING

- The device may be built into distribution boards (230/400 V) and must be mounted, commissioned by an authorized electrician.
- Free DIN-rail areas must be covered with covers, order no. 5WG1 192-8AA01.
- Inputs must not be connected to 230 V.
- The prevailing safety rules must be heeded.
- The device must not be opened. A device suspected faulty should be returned to the local Siemens office.

## Installation Instructions

The device may be used for permanent interior installations in dry locations within flush-mounted box mounts

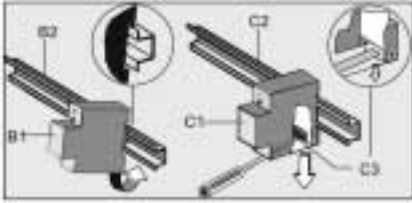
## Location and Function of the Display and Operator Elements

- A1 LED for indicating normal operating mode (LED off) and addressing mode (LED on); upon receiving the physical address the device automatically returns to normal operating mode
- A2 Learning button for switching between normal operating mode and addressing mode
- A3 Type plate
- A4 Screwless plug-in terminals for connecting load circuits
- A5 Label for noting the physical address

# Binary Input N 261

5WG1 261-1CB01

*Mounting and dismounting a  
DIN-rail device*



## Mounting and Wiring

### General description

The N 261 is mounted to any DIN-rail (EN 50022-35 x 7,5) available that has a data rail installed.

The connection to the bus line is established by clicking the device onto the DIN-rail (with a data rail installed). Take care that the type plates of all devices on a DIN-rail can be read in the same direction, guaranteeing the devices are polarized correctly.

### Mounting DIN-rail devices

- Slide the device (B1) onto the DIN-rail (B2).
- Swivel back the device until the slide clicks into place audibly.

### Dismounting DIN-rail devices

- Remove all connected wires.
- Press down the slide (C3) with a screwdriver.
- Swivel the device (C1) from the DIN-rail (C2).

### Connecting load circuits

- The load circuits are connected via screwless plug-in terminals (D1).
- Remove approx. 9 to 10 mm (0.35"-0.39") of insulation from the wire (D1.1) and plug it into the terminal (D1).

### Conductor cross sections

- Signal inputs, physical: 18 AWG

### Permissible conductor types/cross sections

- 12 AWG or 14 AWG single core

### Disconnect input circuits

- Press the terminal lock (E1.2) with a screwdriver.
- Remove the wire (E1.1) from the terminal (E1).



*Connecting and disconnecting wire*

## Siemens Energy & Automation, Inc.

Power Distribution Solutions  
3333 Old Milton Parkway  
Alpharetta, GA 30005

For more information, call **1-800-427-2256**  
or visit **[www.sea.siemens.com](http://www.sea.siemens.com)**

© 2004 Siemens Energy & Automation, Inc. All Rights Reserved

Siemens is a registered trademark of Siemens AG. Product names mentioned may be trademarks or registered trademarks of their respective companies. Specifications are subject to change without notice.