

8.50

SIEMENS ENERGY & AUTOMATION, INC.

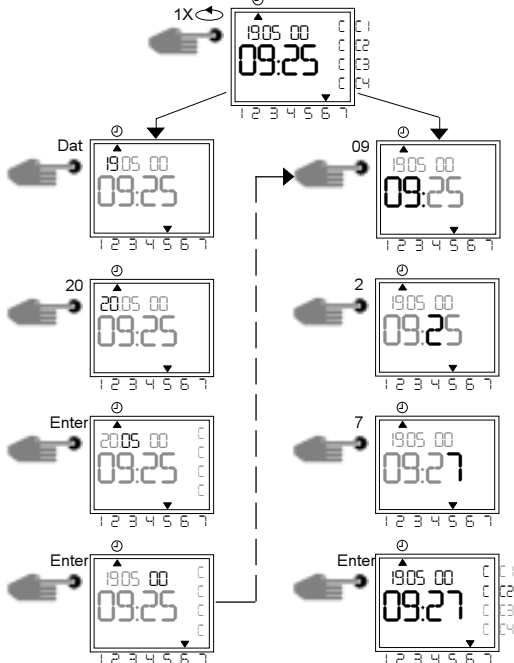
FOR HELP CALL: 1-800-427-2256

1) Setting or changing time and date

Example: to set time and date to May 19, 2000 at 9:27 AM

- Press once
- Press "Dat."
- On the numbers key pad, key in the day (19)
- Key in the Month (5)
- Key in the Year (04)
- Key in the hour (09)
- Key in the minutes (27)
- Press "Enter"

The clock saves and returns to automatic mode.



Note: Time has to be entered in 24H format. Date follows international format: day, month year

2) Setting Daylight Savings Time

- Press six times
- Press "Dat"
- Press 1
- To save, press "Enter"
- Return to automatic mode with

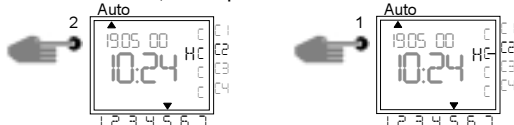


3) Manual ON/OFF (Override switching)

While in Auto Mode, Select Channel (button 1=Channel 1, button 2=Channel 2, etc.)

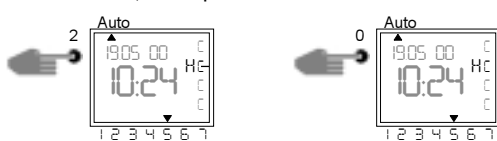
Example 1: Switch ON Channel 2 manually:

- Press 2 once, then press 1



Example 2: Switch OFF Channel 2:

- Press 2 once, then press 0

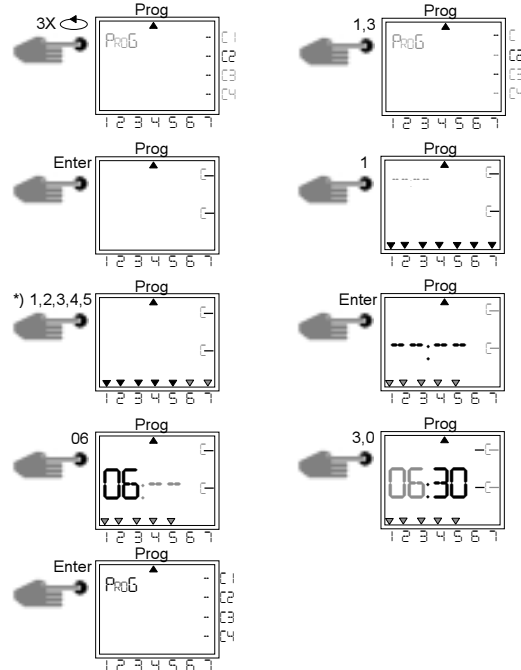


Notes: While in Auto Mode, channels can be switched ON or OFF. The letter "H" will be erased by the next switching command.

1) Programming

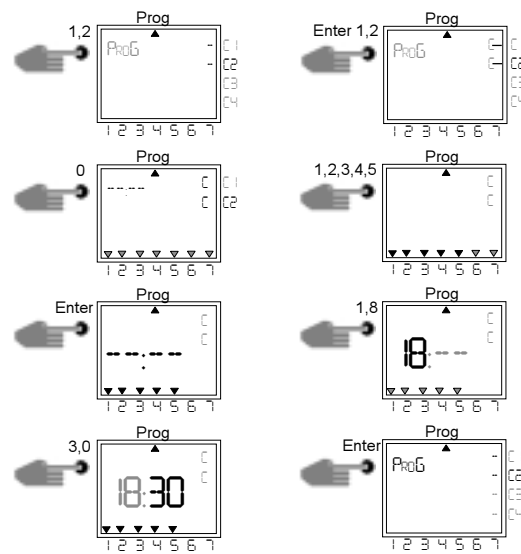
Example 1: Set Channels 1 and 3 to switch ON at 6:30 AM, Monday to Friday

- With select "Prog"
- Press keys 1 and 3
- Press "Enter" to confirm
- Press 1 for ON
- Press 1, 2, 3, 4, and 5 for week days
- Press "Enter" to confirm
- Enter the time: 06:30
- Press "Enter" to confirm



Example 2: Set Channels 1 and 3 to switch OFF at 6:30 PM, Monday to Friday

- With select "Prog"
- Press keys 1 and 3
- Press "Enter" to confirm
- Press 0 for OFF
- Press 1, 2, 3, 4, and 5 for week days
- Press "Enter" to confirm
- Enter the time: 18:30
- Press "Enter" to confirm



Do additional programming as described or press to go back to automatic mode.

11-D-2284-01 REV 0

11.00

UL REQ'D: NO  
 REASON FOR USE: CLOCK SETTING INSTRUCTIONS  
 LOCATION: INSIDE PANEL DOOR  
 LABEL TYPE: TYPE II WHITE STOCK MATERIAL PER 1S-6908-01.  
 PRINTING: BLACK INK  
 PC. NO.: 11-D-2284-01

NOTE: ART WORK MAINTAINED BY DIVISION ENGINEERING. ANY ISSUES REGARDING ART WORK OR VENDOR APPROVAL MUST BE DIRECTED TO DIVISION ENGINEERING.  
 VENDOR: MOORE WALLACE 1293 HENDERSONVILLE RD., SUITE 24 ASHVILLE, NC 28803  
 SIZE: 8.50 X 11.00

04-30-04		Date		Unless otherwise specified dimensions are in inches		Confidential - Property of Siemens Energy & Automation, Inc.	
1C-824A		ECN		Tolerances are non-cumulative and are as follows unless specified otherwise.		Distribution Products Division	
0		Rev.		.XX .030 .XXX .015 Angular +/- 2°		LCP3000EZ - TIME CLOCK INSTRUCTION LABEL	
				Do not scale drawing		Dwg. No. 11-D-2284	
				Dwn: RMW Date: 04-30-04		Rev. 0	
				Chk: RHR Date: 04-30-04		Scale NONE	
				Apvd: JAJ Date: 04-30-04		Sheet 1 of 1	