

Shaft Driven Disconnect Switch

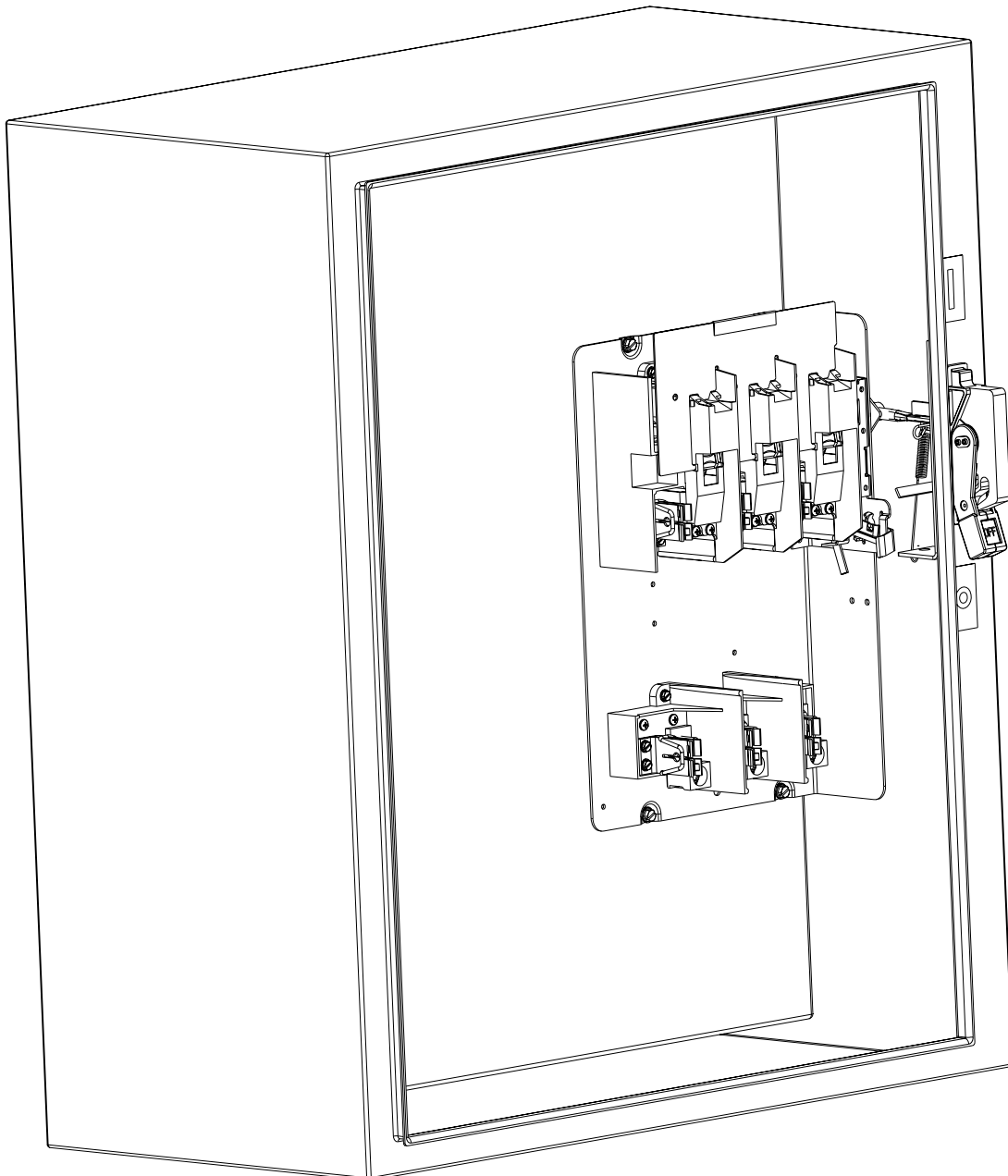
Item:

Panel Mounted Disconnect Switch		Linkage Kit	Handle Kit
VBFS321	VBFS364	VBLK1 VBLK2	VBH1 VBH14X
VBFS361	VBNFS361		
VBFS322	VBNFS362		
VBFS362	VBNFS363		
VBFS363	VBNFS364		

One Panel Mounted Disconnect Switch, one Linkage Kit and one Handle Kit required for complete assembly.

Installation Instructions

 Danger	 Peligro	 Danger
<p>Hazardous Voltage. Will cause death or serious injury.</p> <p> Turn off and lock out all power supplying this device before working on this device. Replace all covers before power supplying this device is turned on.</p>	<p>Tensión peligrosa. Puede causar la muerte o lesiones graves.</p> <p>Desenergice totalmente antes de instalar o darle servicio. Reemplace todas las barreras y cubiertas antes de energizar el interruptor.</p>	<p>Tension dangereuse. Danger de mort ou risque de blessures graves.</p> <p>Couper l'alimentation de l'appareil et barrer avant de travailler. Remplacez tous les couverts avant que l'approvisionnement de pouvoir soit alimenté.</p>





Danger

Hazardous Voltage.
Will cause death or serious injury.
Turn off and lock out all power supplying this device before working on this device.
Replace all covers before power supplying this device is turned on.

Peligro

Tensión peligrosa.
Puede causar la muerte o lesiones graves.
Desenergice totalmente antes de instalar o darle servicio. Reemplace todas las barreras y cubiertas antes de energizar el interruptor.

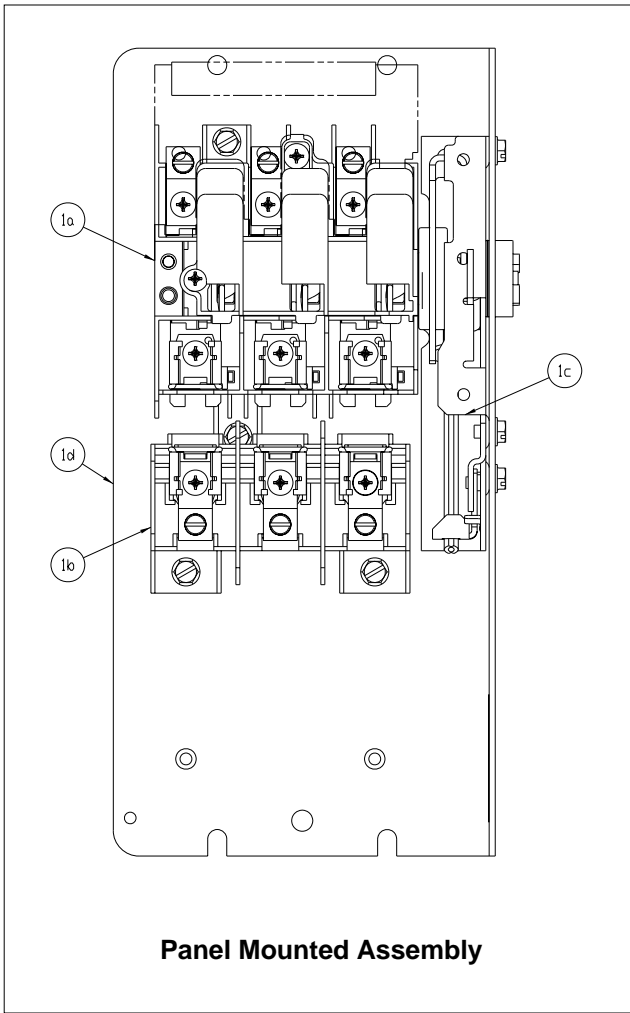
Danger

Tension dangereuse.
Danger de mort ou risque de blessures graves.
Couper l'alimentation de l'appareil et barrer avant de travailler.
Remplacez tous les couverts avant que l'alimentation de pouvoir soit alimenté.

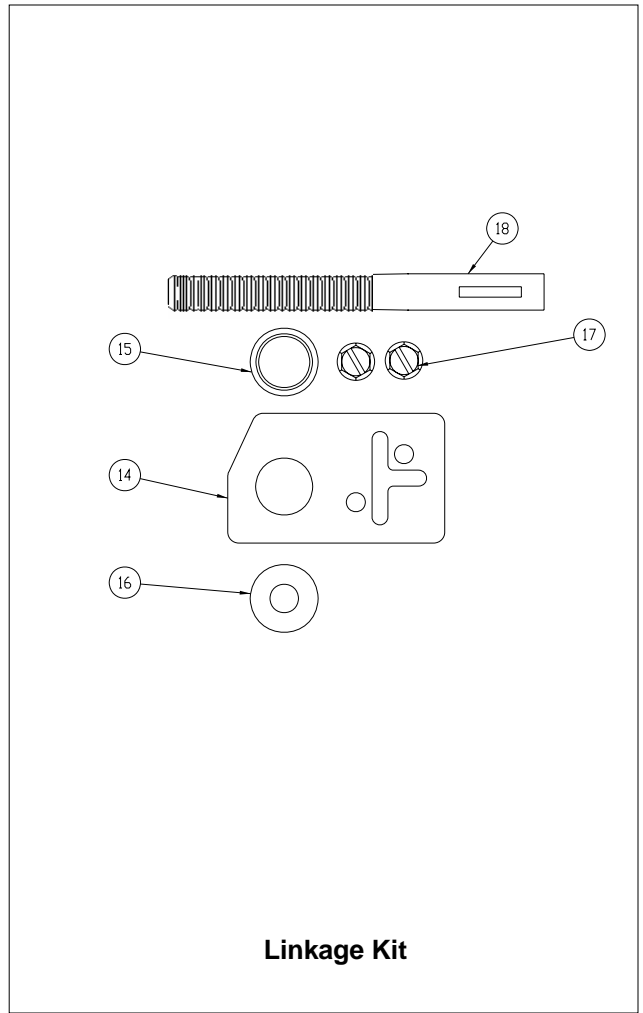
Panel Mount Assembly				
Catalog Numbers		Component	Index	QTY
VBFS321	VBFS364	Linebase (factory installed)	1a	1
VBFS322	VBNFS361	Loadbase (factory installed - Fused Only)	1b	1
VBFS361	VBNFS362	Mechanism (factory installed)	1c	1
VBFS362	VBNFS363	Mounting Pan	1d	1
VBFS363	VBNFS364	Screw, 1/4-20 x 1/2 (not shown)	2	4

Linkage Kit				
Catalog Numbers		Component	Index	QTY
VBLK1 VBLK2		Driver Plate	14	1
		Driver Pin	15	1
		Teflon Washer	16	1
		Screw, 10-32 x 3/8	17	2
		Threaded Rod	18	1

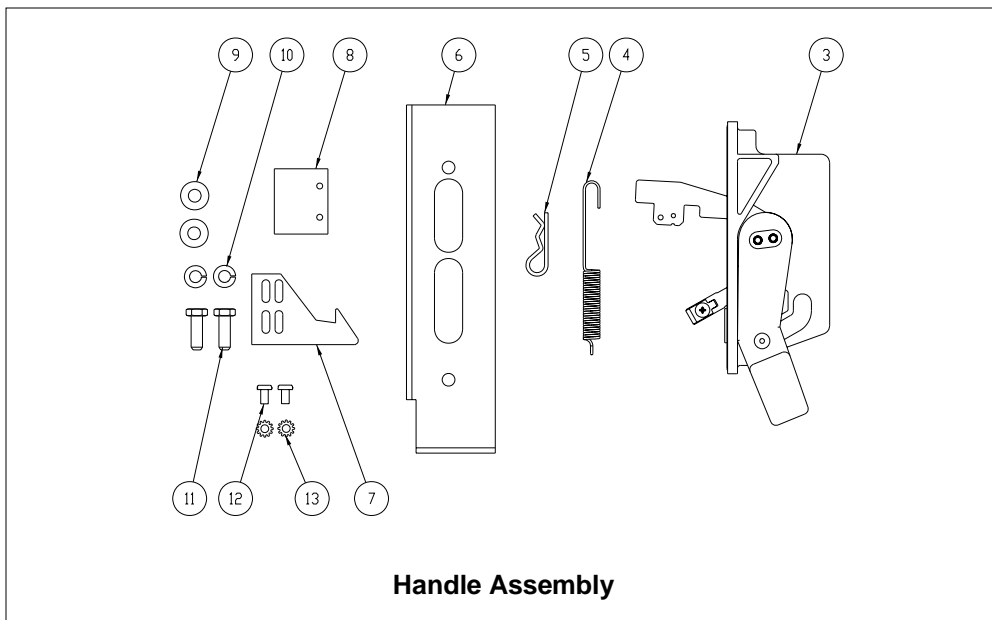
Handle Kit				
Catalog Numbers		Component	Index	QTY
VBH1 VBH14X		Handle	3	1
		Return Spring	4	1
		Hitch Pin	5	1
		Support Bracket	6	1
		Cover Catch	7	1
		Cover Catch Mounting Bracket	8	1
		flat washer 1/4"	9	2
		lockwasher, 1/4"	10	2
		screw, 1/4-20 x 3/4, hex head cap	11	2
		Machine Screw, #8-32 x 5/16	12	2
		lockwasher, external tooth, #8	13	2



Panel Mounted Assembly



Linkage Kit



Handle Assembly



Danger

Hazardous Voltage.
Will cause death or serious injury.

Turn off and lock out all power supplying this device before working on this device.
Replace all covers before power supplying this device is turned on.

Peligro

Tensión peligrosa.
Puede causar la muerte o lesiones graves.

Desenergice totalmente antes de instalar o darle servicio. Reemplace todas las barreras y cubiertas antes de energizar el interruptor.

Danger

Tension dangereuse.
Danger de mort ou risque de blessures graves.

Couper l'alimentation de l'appareil et barrer avant de travailler.
Remplacez tous les couverts avant que l'alimentation de pouvoir soit alimenté.



Minimum Enclosure Size**

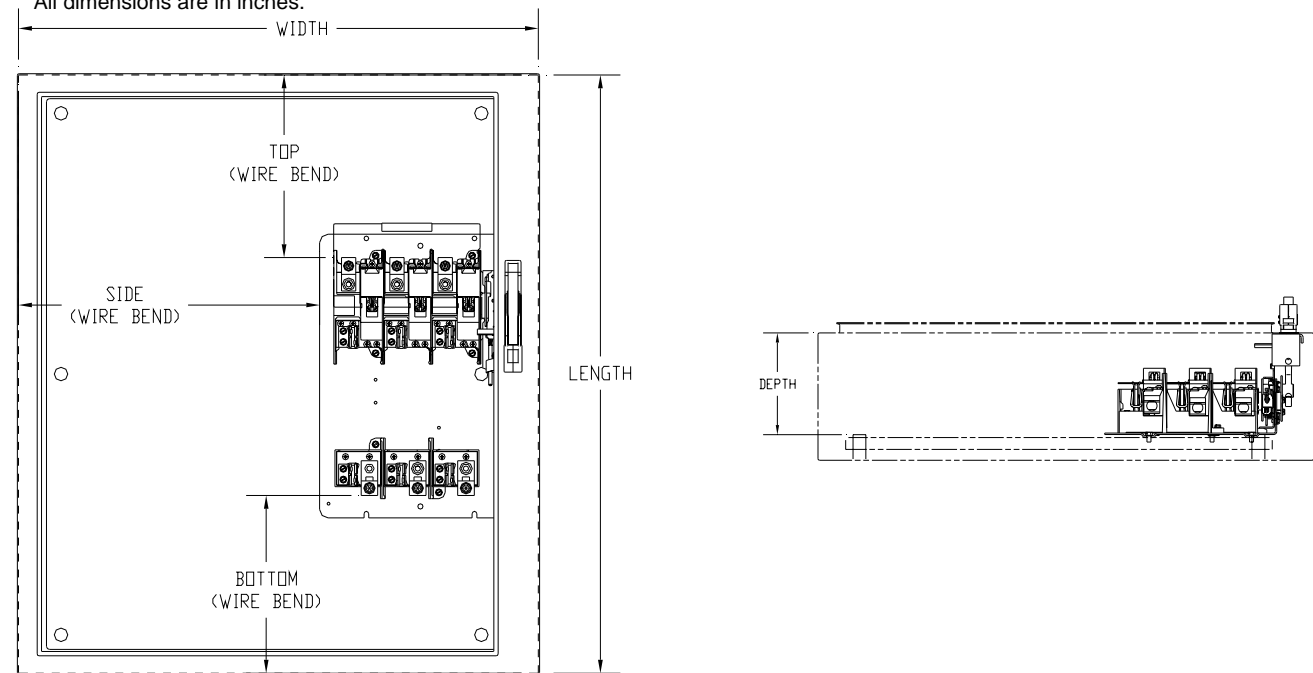
CATALOG NO.	AMPERAGE	DESCRIPTION	LENGTH	WIDTH	DEPTH
VBFS321F / VBFS361F	30	FUSIBLE	14.25	7.00	6.94
VBNS361F	30	NON-FUSIBLE	11.78	7.00	6.94
VBFS322F / VBFS362F	60	FUSIBLE	16.30	9.05	6.94
VBNS362F	60	NON-FUSIBLE	16.30	9.05	6.94
VBFS363F	100	FUSIBLE	22.00	9.53	6.94
VBNS363F	100	NON-FUSIBLE	22.00	9.53	6.94
VBFS364F	200	FUSIBLE	30.00	14.50	7.70
VBNS364F	200	NON-FUSIBLE	30.00	14.50	7.70

Minimum Wire Bend*

CATALOG NO.	AMPERAGE	DESCRIPTION	WIRE SIZE (AWG or kcmil)	TOP (Min)	BOTTOM (Min)	SIDE (Min)
VBFS321F / VBFS361F	30	FUSIBLE	14-6	2.00	2.00	1.50
VBNS361F	30	NON-FUSIBLE	14-6	2.00	2.00	1.50
VBFS322F / VBFS362F	60	FUSIBLE	14-2	3.50	3.50	2.50
VBNS362F	60	NON-FUSIBLE	14-2	3.50	3.50	2.50
VBFS363F	100	FUSIBLE	14-1/0	5.50	5.50	3.50
VBNS363F	100	NON-FUSIBLE	14-1/0	5.50	5.50	3.50
VBFS364F	200	FUSIBLE	6-300	7.00	7.00	5.00
VBNS364F	200	NON-FUSIBLE	6-300	7.00	7.00	5.00

* Wire bend dimensions shown allow the full use of the switch wire range to be used. Any decrease in these dimensions will limit the wire range. See the NEC for additional information and requirements.

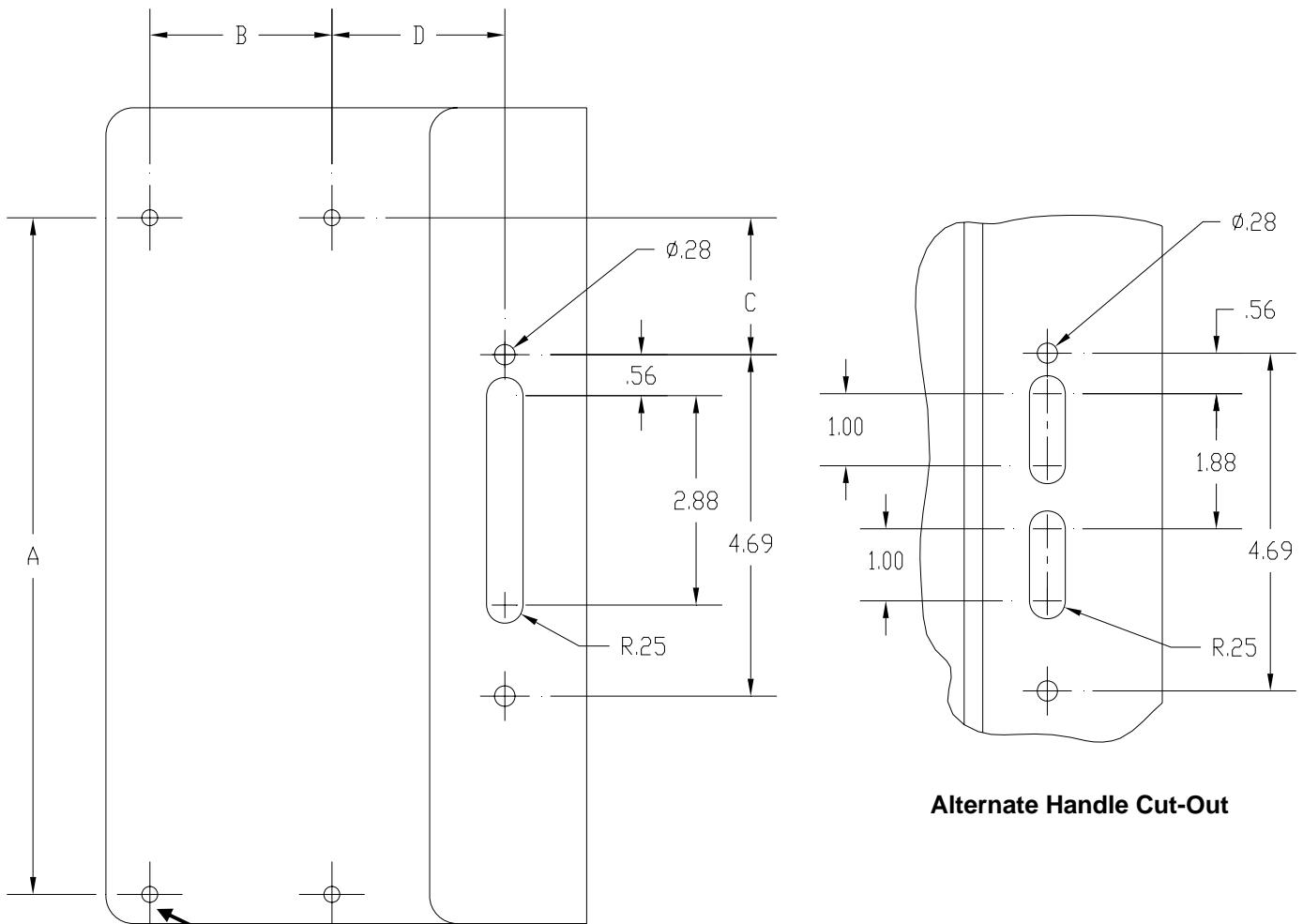
** All dimensions are in inches.



Switch Mounting and Handle Mounting / Cut-out Dimensions

Fused Disconnect Switch Mounting				
Cat. No.	A	B	C	D
VBFS321	11.38	2.50	0.86	2.31
VBFS322	12.62	3.97	0.86	2.31
VBFS361	11.38	2.50	0.86	2.31
VBFS362	12.62	3.97	0.86	2.31
VBFS363	12.62	3.97	0.86	2.31
VBFS364	16.50	6.50	1.75	2.26

Non-Fused Disconnect Switch Mounting				
Cat. No.	A	B	C	D
VBNFS361	9.29	2.50	0.86	2.31
VBNFS362	9.29	3.97	0.86	2.31
VBNFS363	9.29	3.97	0.86	2.31
VBNFS364	10.27	6.50	1.75	2.26



Size and tap holes for 1/4-20 screws provided

Alternate Handle Cut-Out

IMPORTANT: Dimensions "C" and "D" above should be maintained within +/-0.06" to assure proper alignment of the handle to the switch operating mechanism.



Danger

Hazardous Voltage.
Will cause death or serious injury.

Turn off and lock out all power supplying this device before working on this device.
Replace all covers before power supplying this device is turned on.

Peligro

Tensión peligrosa.
Puede causar la muerte o lesiones graves.

Desenergice totalmente antes de instalar o darle servicio.
Reemplace todas las barreras y cubiertas antes de energizar el interruptor.

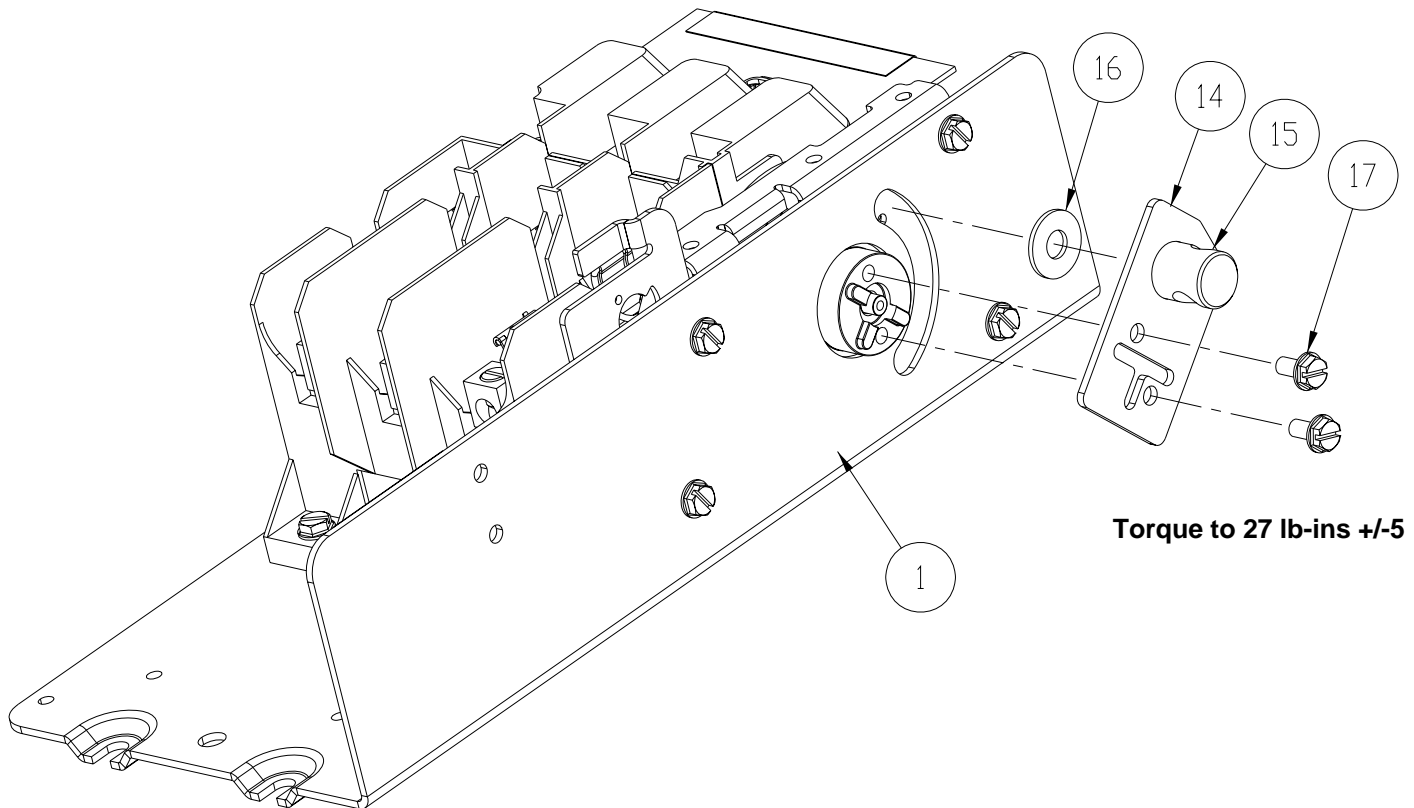
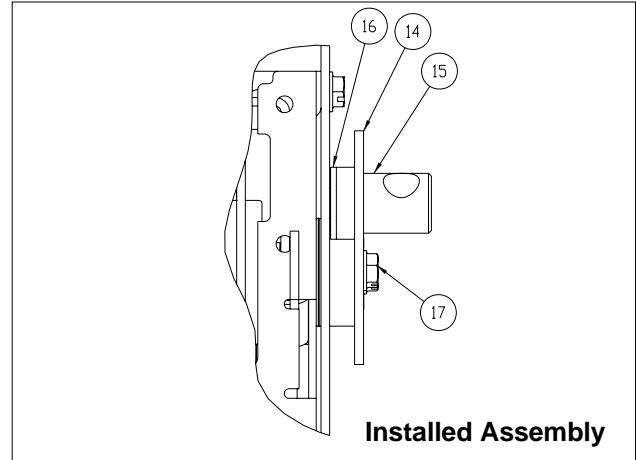
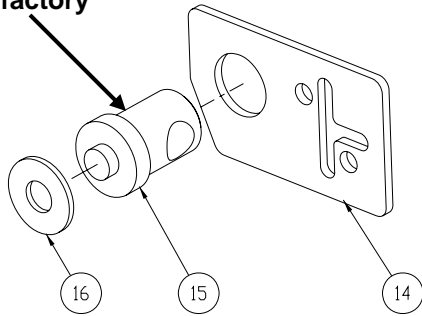
Danger

Tension dangereuse.
Danger de mort ou risque de blessures graves.

Couper l'alimentation de l'appareil et barrer avant de travailler.
Remplacez tous les couverts avant que l'approvisionnement de pouvoir soit alimenté.

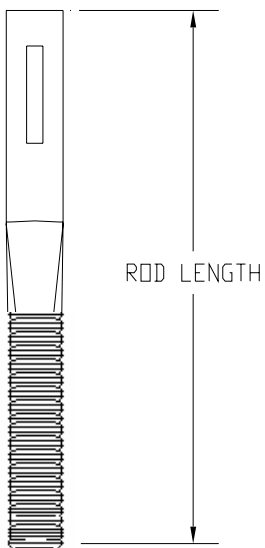
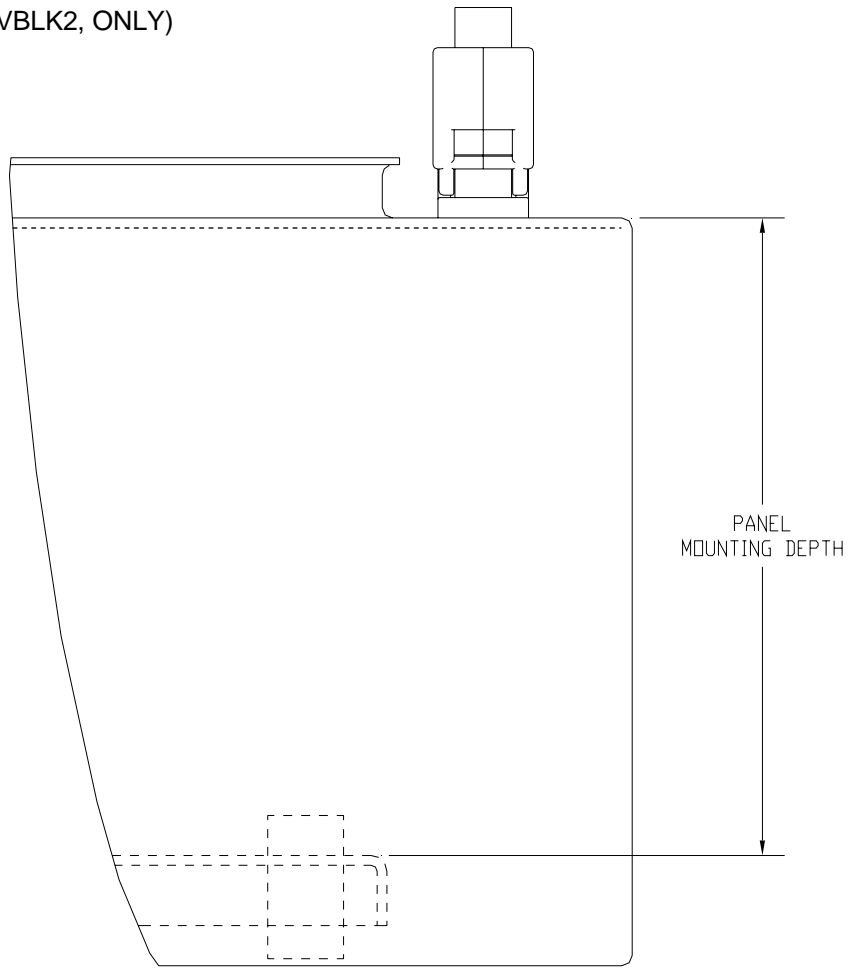
Install Linkage on Panel Mounted Assembly

Note: Drive Pin, item 15, lubricated at factory



Torque to 27 lb-ins +/-5

Prepare Threaded Rod
(Variable Depth Kit, VBLK2, ONLY)



Rod Length = Panel Mounting Depth – 3.00”



⚠ Danger

Hazardous Voltage.
Will cause death or serious injury.
Turn off and lock out all power supplying this device before working on this device.
Replace all covers before power supplying this device is turned on.

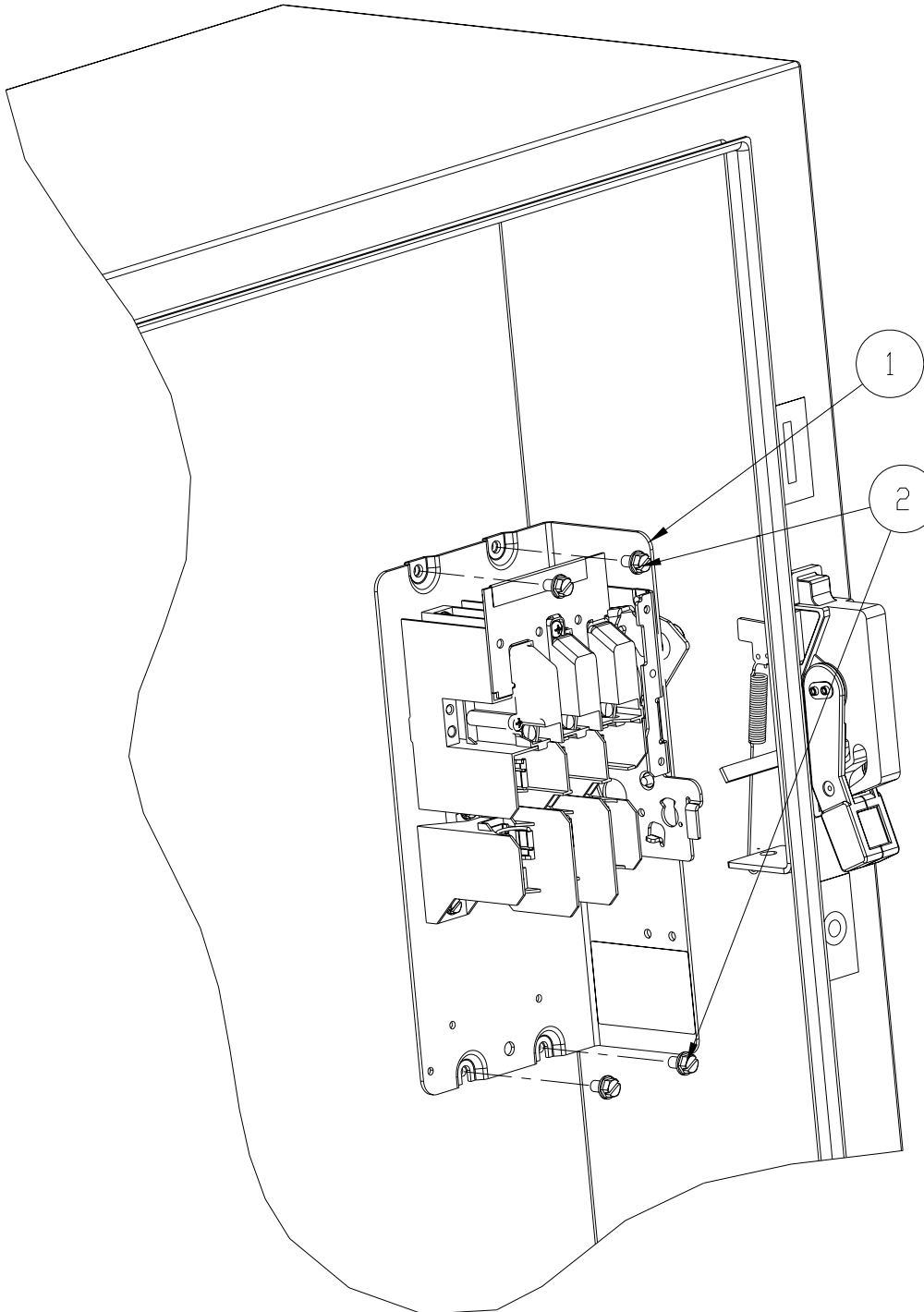
⚠ Peligro

Tensión peligrosa.
Puede causar la muerte o lesiones graves.
Desenergice totalmente antes de instalar o darle servicio.
Reemplace todas las barreras y cubiertas antes de energizar el interruptor.

⚠ Danger

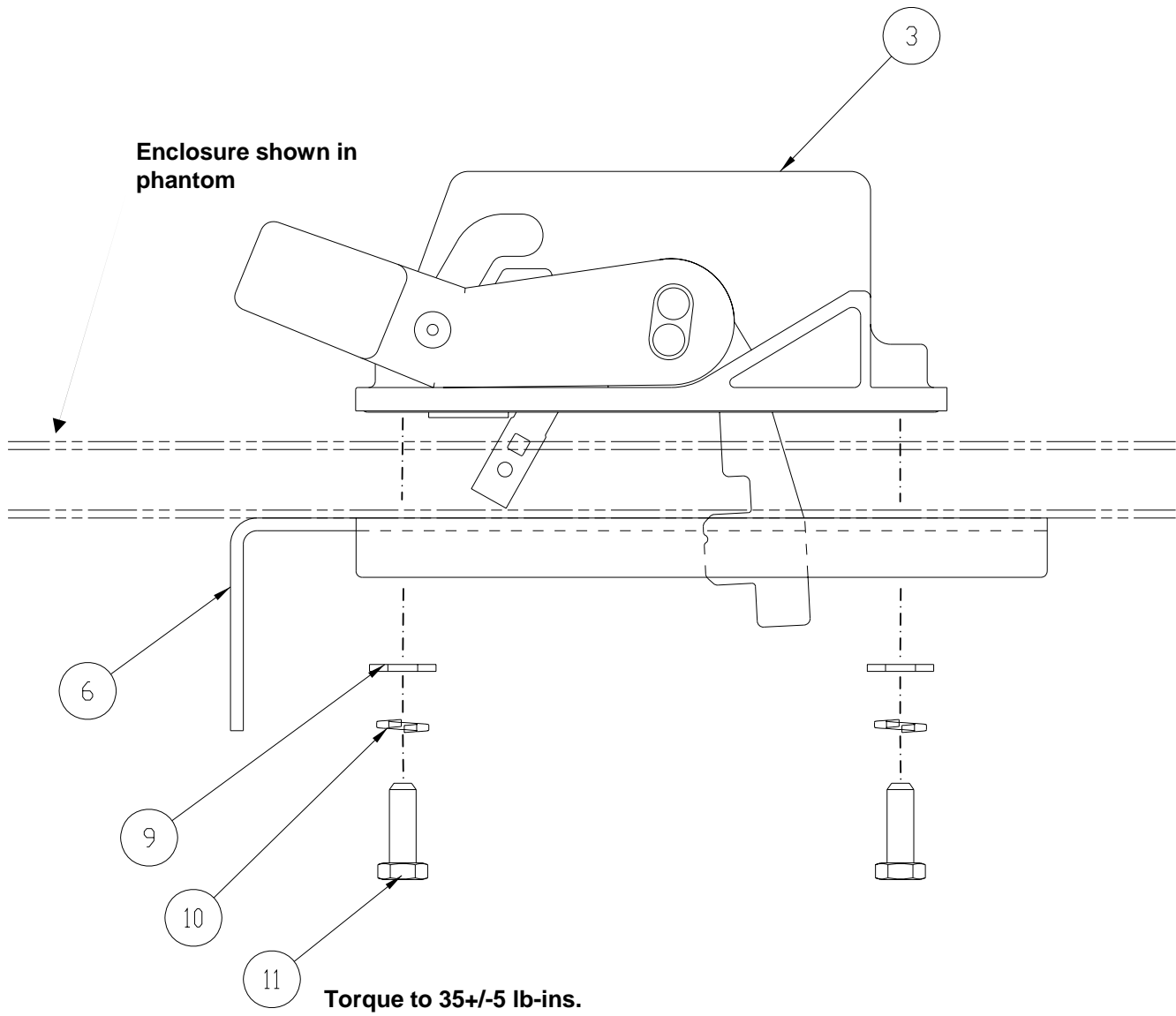
Tension dangereuse.
Danger de mort ou risque de blessures graves.
Couper l'alimentation de l'appareil et barrer avant de travailler.
Remplacez tous les couverts avant que l'alprovisionnement de pouvoir soit alimenté.

Install Panel Mounted Assembly

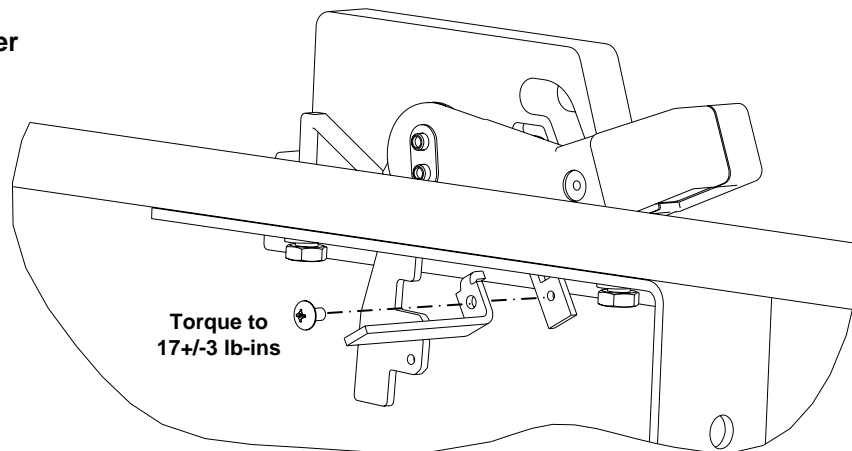


Torque to 55 +/-5 lb-ins

Install Handle Assembly



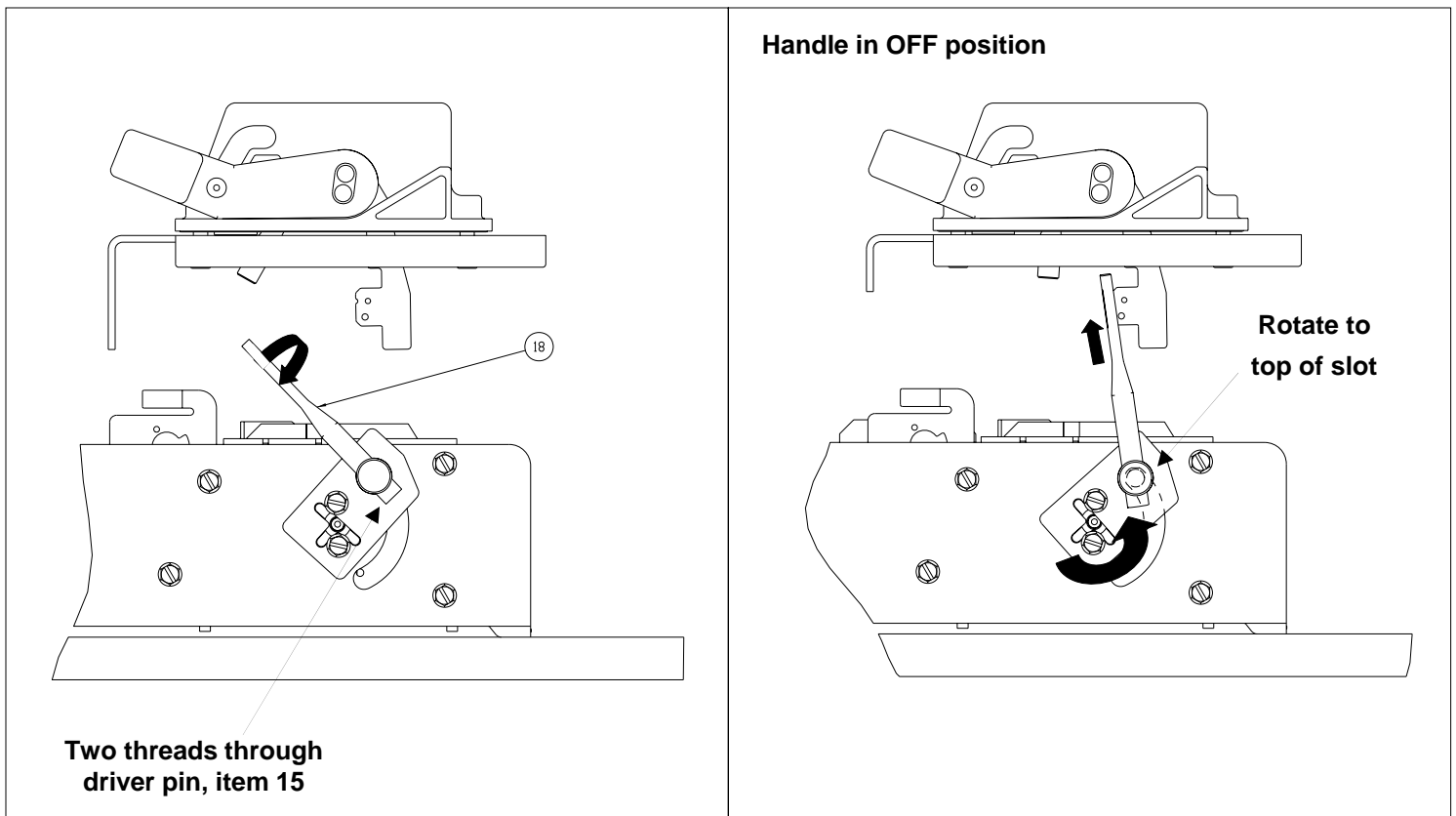
Install Interlock lever



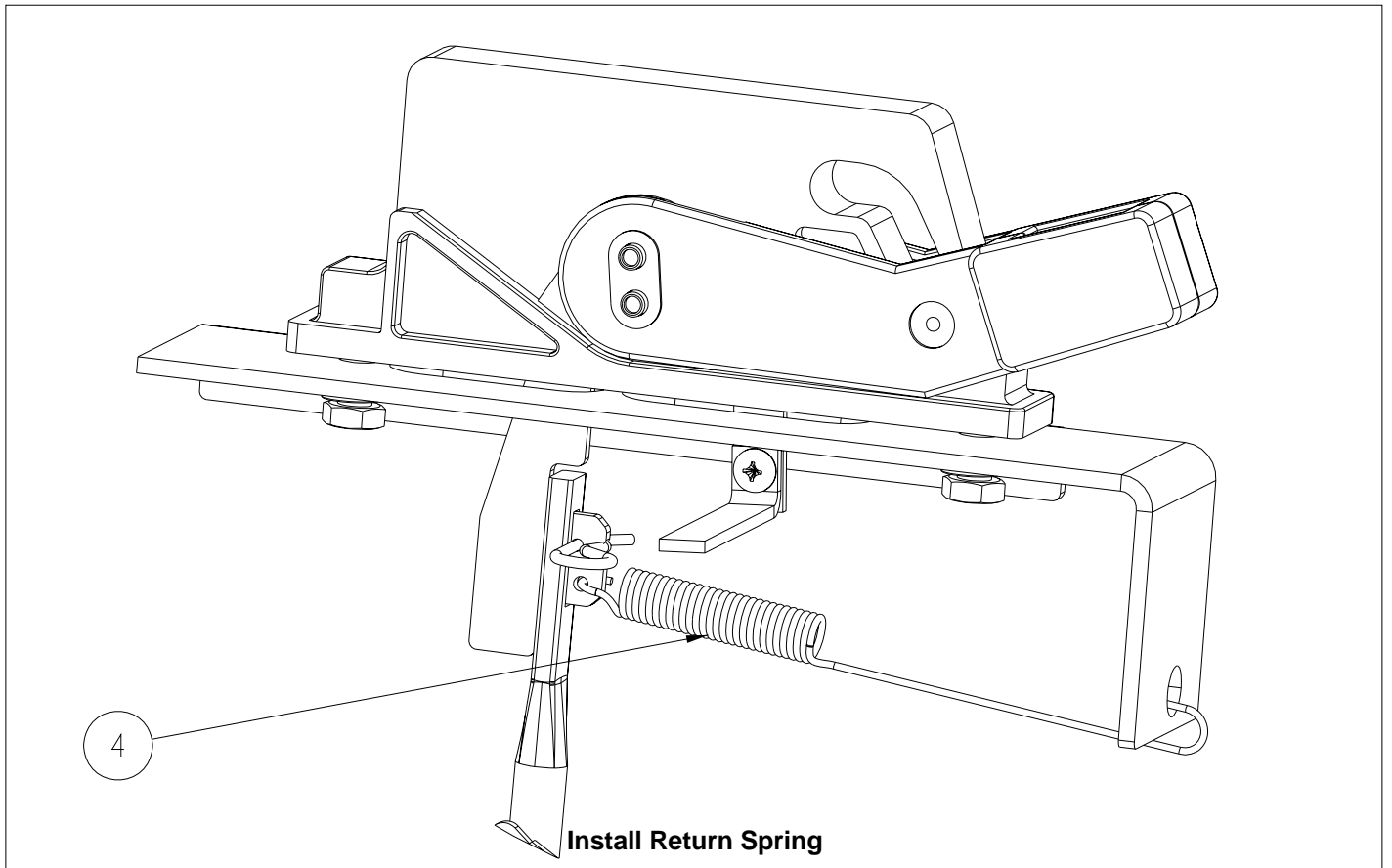
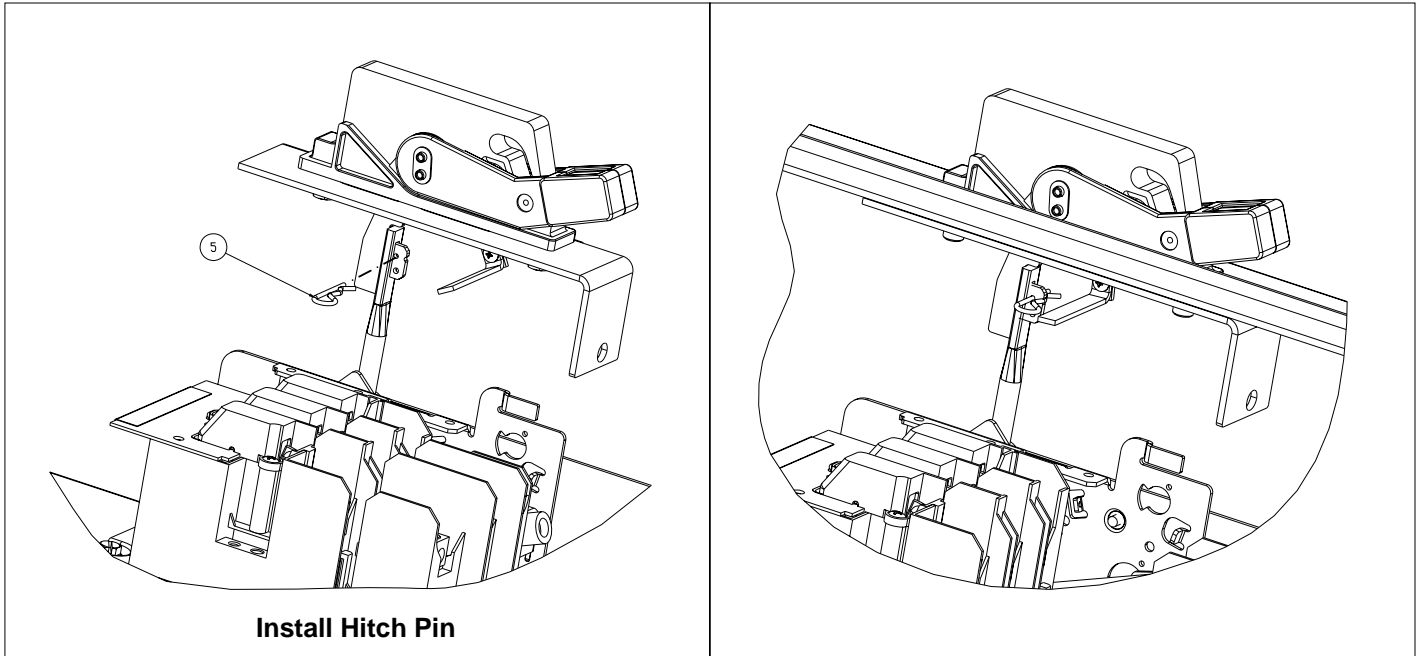
	<p>⚠ Danger</p> <p>Hazardous Voltage. Will cause death or serious injury.</p>	<p>⚠ Peligro</p> <p>Tensión peligrosa. Puede causar la muerte o lesiones graves.</p>	<p>⚠ Danger</p> <p>Tension dangereuse. Danger de mort ou risque de blessures graves.</p>
	<p>Turn off and lock out all power supplying this device before working on this device. Replace all covers before power supplying this device is turned on.</p>	<p>Desenergice totalmente antes de instalar o darle servicio. Reemplace todas las barreras y cubiertas antes de energizar el interruptor.</p>	<p>Couper l'alimentation de l'appareil et barrer avant de travailler. Remplacez tous les couverts avant que l'approvisionnement de pouvoir soit alimenté.</p>

Install Threaded Rod

(Enclosure not shown for clarity)

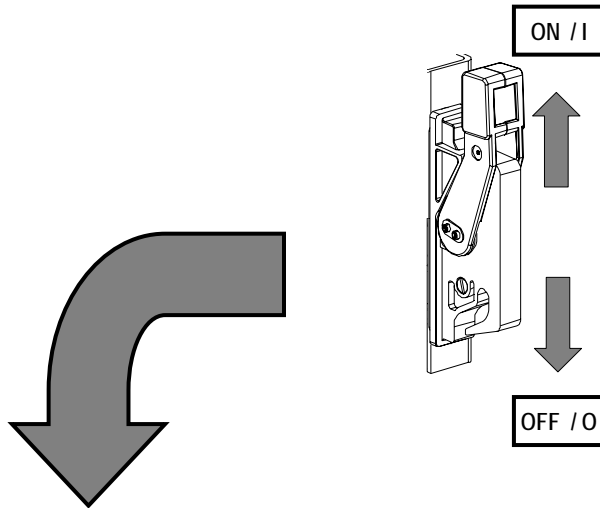


Install Threaded Rod



	<p>⚠ Danger Hazardous Voltage. Will cause death or serious injury.</p>	<p>⚠ Peligro Tensión peligrosa. Puede causar la muerte o lesiones graves.</p>	<p>⚠ Danger Tension dangereuse. Danger de mort ou risque de blessures graves.</p>
	<p>Turn off and lock out all power supplying this device before working on this device. Replace all covers before power supplying this device is turned on.</p>	<p>Desenergice totalmente antes de instalar o darle servicio. Reemplace todas las barreras y cubiertas antes de energizar el interruptor.</p>	<p>Couper l'alimentation de l'appareil et barrer avant de travailler. Remplacez tous les couverts avant que l'approvisionnement de pouvoir soit alimenté.</p>

Check Switch Operation

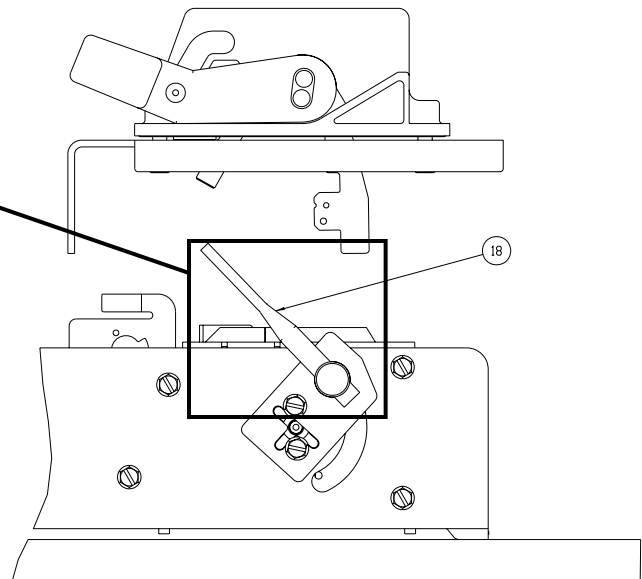


If Switch does not turn OFF:

- Uninstall spring (item 4) and hitch pin (item 5)
- Rotate threaded rod (item 18) one turn clockwise (make rod shorter)
- Reinstall hitch pin (item 5) and spring (item 4)
- Check operation again.

If Switch does not turn ON:

- Uninstall spring (item 4) and hitch pin (item 5)
- Rotate threaded rod (item 18) one turn counter-clockwise (make rod longer)
- Reinstall hitch pin (item 5) and spring (item 4)
- Check operation again.





Danger

Hazardous Voltage.
Will cause death or serious injury.

Turn off and lock out all power supplying this device before working on this device.
Replace all covers before power supplying this device is turned on.

Peligro

Tensión peligrosa.
Puede causar la muerte o lesiones graves.

Desenergice totalmente antes de instalar o darle servicio.
Reemplace todas las barreras y cubiertas antes de energizar el interruptor.

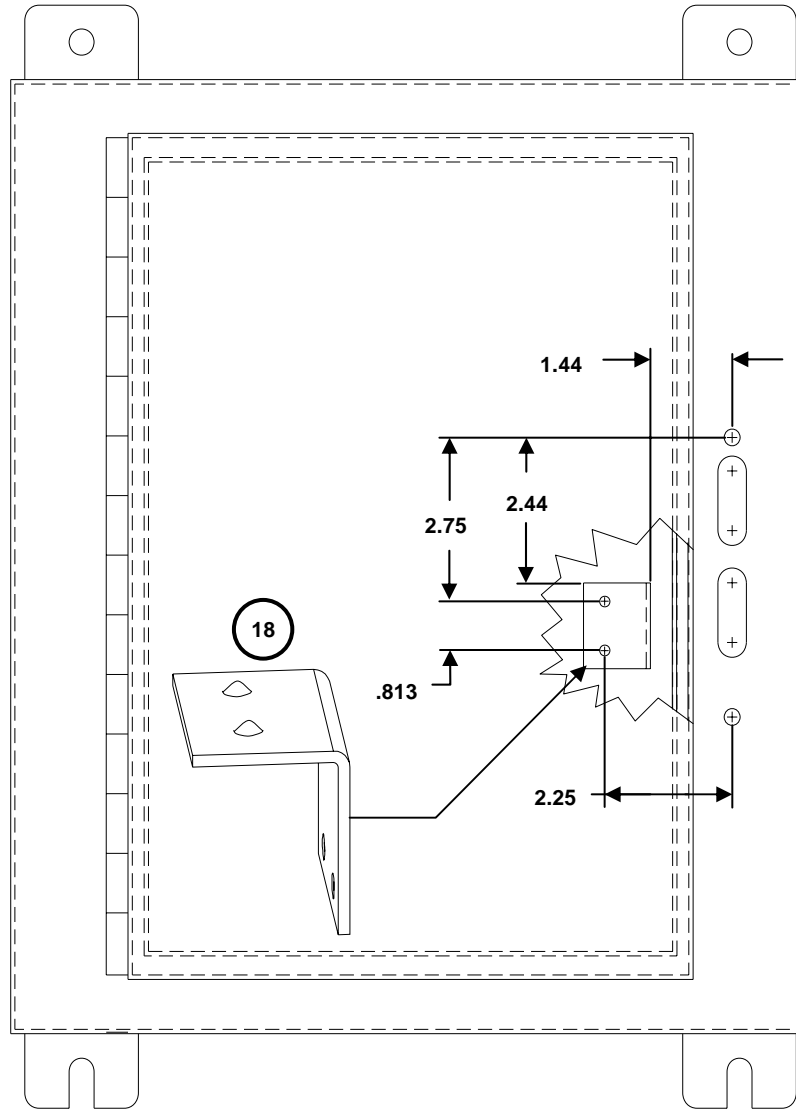
Danger

Tension dangereuse.
Danger de mort ou risque de blessures graves.

Couper l'alimentation de l'appareil et barrer avant de travailler.
Remplacez tous les couverts avant que l'alimentation de pouvoir soit alimenté.

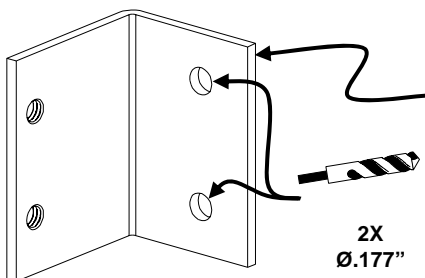
Installation of Cover Catch

Step 1 - Installation of Cover Catch Mounting Bracket

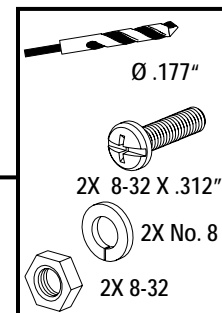


Dimensions for Welded or Screw mounting the cover catch

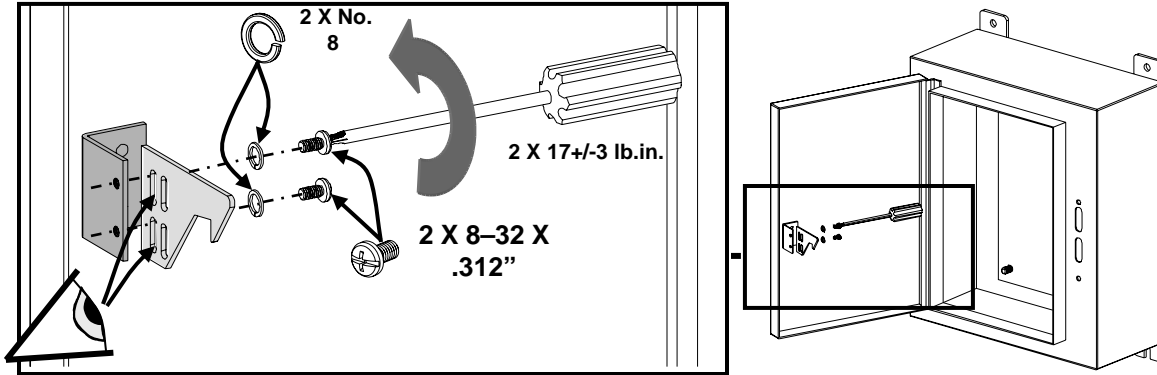
Option:



Customer supplied hardware for screw mounting option. Hardware must maintain environmental integrity (NEMA rating) of the enclosure.



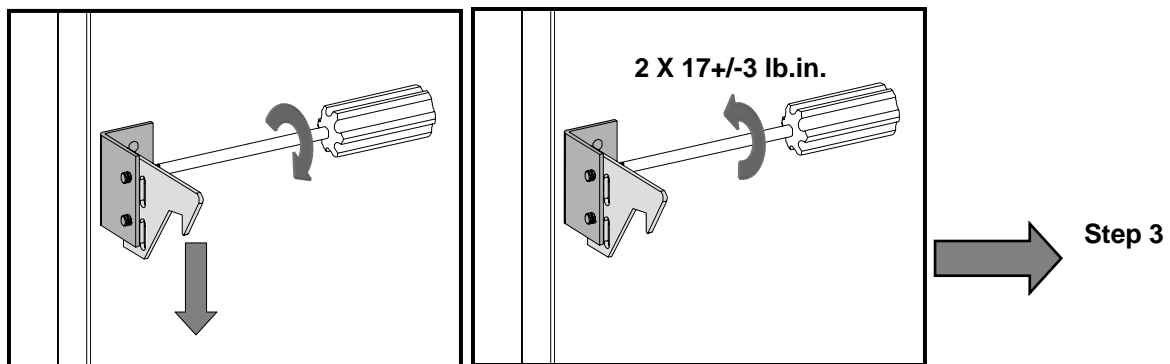
Installation of Cover Catch
Step 2 - Installation of Cover Catch



Step 3 - Verify operation of cover catch (Switch ON)

		Result		Go To
		 Open	 Closed	
OFF/ ON 	Cover should remain closed with switch in ON position, 5 lbf max.		Step 4	

Step 4 - Adjust Cover Catch Down

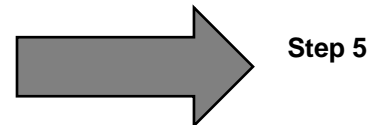
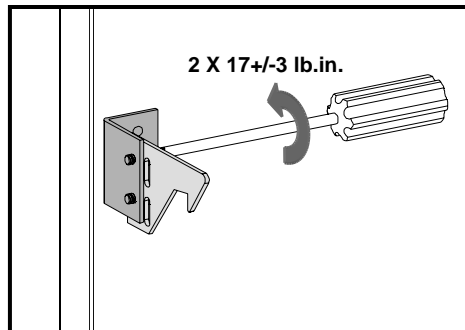
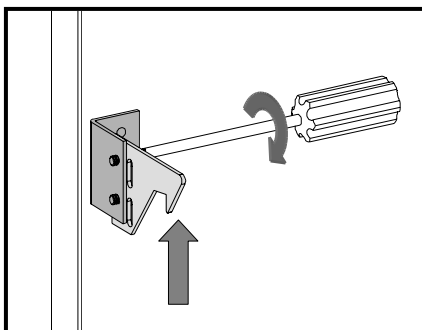
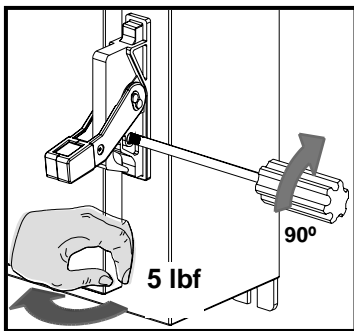


	<p>⚠ Danger Hazardous Voltage. Will cause death or serious injury.</p>	<p>⚠ Peligro Tensión peligrosa. Puede causar la muerte o lesiones graves.</p>	<p>⚠ Danger Tension dangereuse. Danger de mort ou risque de blessures graves.</p>
	<p>Turn off and lock out all power supplying this device before working on this device. Replace all covers before power supplying this device is turned on.</p>	<p>Desenergice totalmente antes de instalar o darle servicio. Reemplace todas las barreras y cubiertas antes de energizar el interruptor.</p>	<p>Couper l'alimentation de l'appareil et barrer avant de travailler. Remplacez tous les couverts avant que l'alimentation de pouvoir soit alimenté.</p>

Step 5 - Verify operation of cover catch (Switch OFF)

		Result		Go To
		 Open	 Closed	
ON / I OFF / O	Cover should open with switch in OFF position, 5 lbf max.			Finished / Ready
				Step 6

Step 6 - Adjust Cover Catch Up



Technical Support:

Toll Free: 1-800-241-4453

Internet: <http://www.sea.siemens.com/power>