

### Installation Instructions



#### ⚠ DANGER

**Hazardous Voltage.**  
Will cause death, serious injury or substantial property damage.

Turn off power supplying this equipment before working inside.

**Note:**

This instruction sheet outlines the general installation procedure. It does not purport to cover all details or variations in equipment nor does it provide for every possible contingency to be met in connection with installation. If you are unsure of the correct procedures or if you have questions or need assistance you should contact a qualified electrical contractor.

This device should be installed in accordance with all local electrical codes and/or the latest edition of the National Electrical Code®.

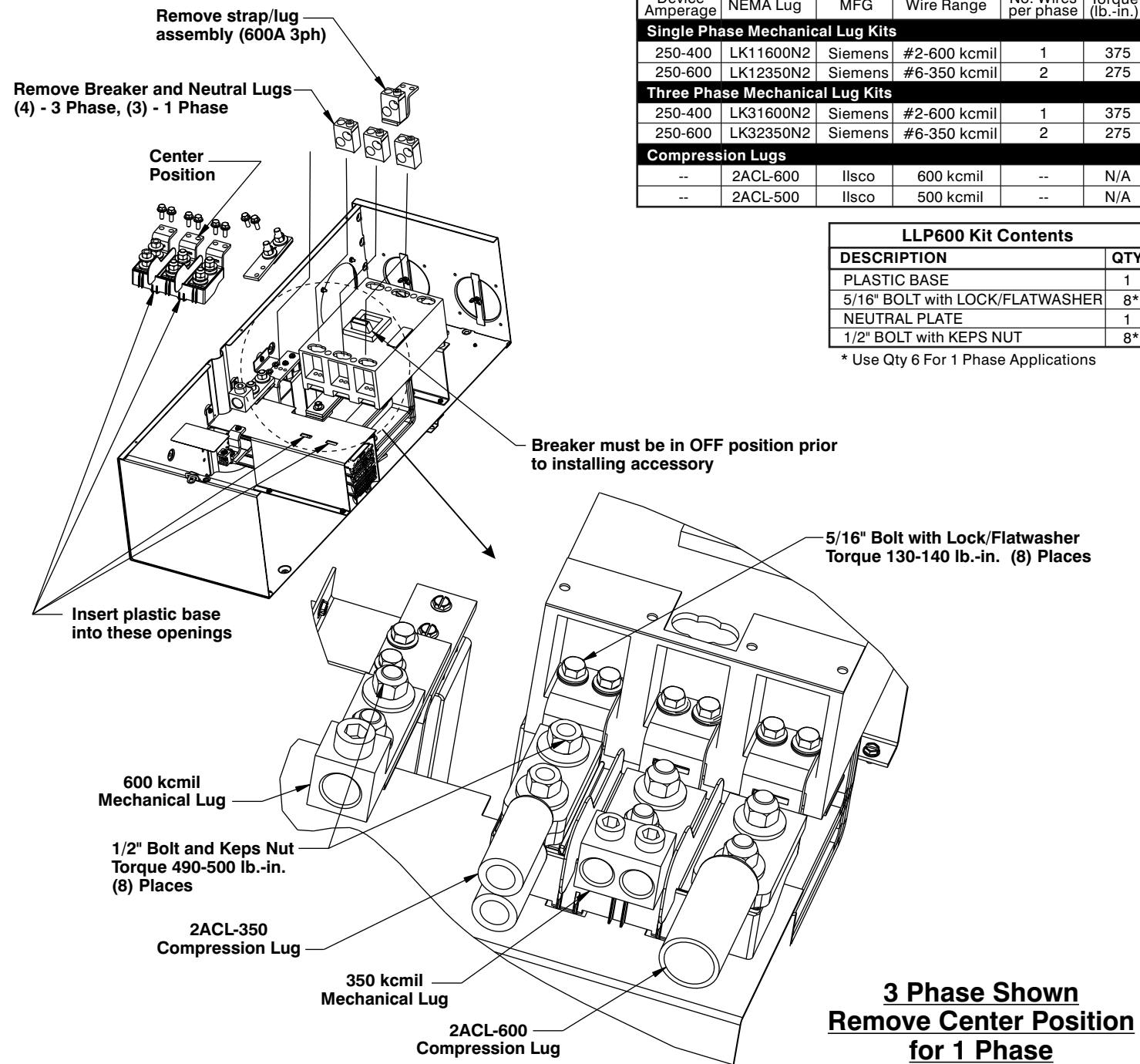
#### Lugs for Phase and Neutral Connections (not supplied)

Device Amperage	NEMA Lug	MFG	Wire Range	No. Wires per phase	Torque (lb.-in.)
<b>Single Phase Mechanical Lug Kits</b>					
250-400	LK11600N2	Siemens	#2-600 kcmil	1	375
250-600	LK12350N2	Siemens	#6-350 kcmil	2	275
<b>Three Phase Mechanical Lug Kits</b>					
250-400	LK31600N2	Siemens	#2-600 kcmil	1	375
250-600	LK32350N2	Siemens	#6-350 kcmil	2	275
<b>Compression Lugs</b>					
--	2ACL-600	IlSCO	600 kcmil	--	N/A
--	2ACL-500	IlSCO	500 kcmil	--	N/A

#### LLP600 Kit Contents

DESCRIPTION	QTY
PLASTIC BASE	1
5/16" BOLT with LOCK/FLATWASHER	8*
NEUTRAL PLATE	1
1/2" BOLT with KEPS NUT	8*

\* Use Qty 6 For 1 Phase Applications



# X8327

© 2009 Copyright Siemens Industry, Inc.

® The National Electrical Code is a registered trademark of the National Fire Protection Association.

© 2010 Copyright Siemens Industry, Inc.

Siemens Industry, Inc.  
Building Technologies Division

**PowerMod™ Modular Metering**

Description: **Lug Landing Pad LLP600**  
200-600A Kit Instructions

Size B Dwg. No. **LLP600 instruction sheet**

Dwn KAM Date 1/27/10 DO NOT SCALE DRAWING SHEET 1 OF 1