

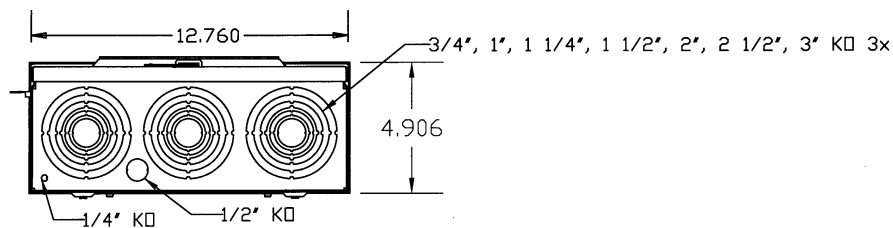
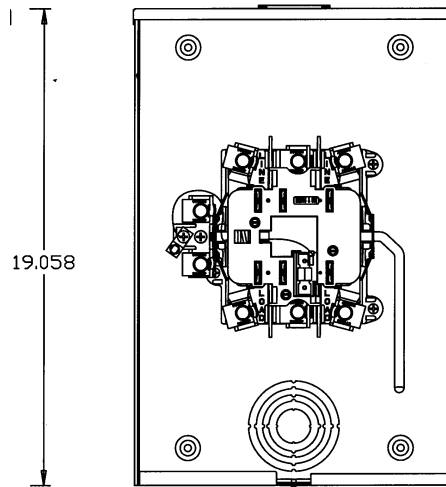
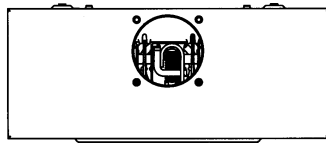
Meter Sockets

200 Ampere, 7 Jaw, Lever Bypass

FEATURES

- UL Listed for service entrance.
- Overhead or underground feed.
- 7 terminal with clamping jaw lever bypass.
- G90 galvanized steel, powder coat paint.
- 350 mcm lay-in lugs.
- Single or quad neutral included.

Meter Socket Continuous Ampere Rating	Catalog Number	Enclosure Material	Service	Phase	Number of Jaws	Type of Bypass	Type of Cover	Hub Opening
200	S40407-02QG	Steel	OH/UG	Single	7	Lever	Ringless	Small
200	S40407-025	Steel	OH/UG	Single	7	Lever	Ringless	Small
200	S40407-015F	Steel	OH/UG	Single	7	Lever	Ringless	Small
200	S40407-02CO	Steel	OH/UG	Single	7	Lever	Ringless	Small
200	S40407-01NU	Steel	OH/UG	Single	7	Lever	Ringless	Small



fastfax

SIEMENS

Siemens Energy & Automation, Inc. • 3333 Old Milton Parkway, Alpharetta, GA 30005 • 1-800-964-4114 • www.sea.siemens.com/reselec

©2002 Siemens Energy & Automation, Inc. All Rights Reserved.

Siemens is a registered trademark of Siemens AG. Product names mentioned may be trademarks or registered trademarks of their respective companies. Specifications are subject to change without notice