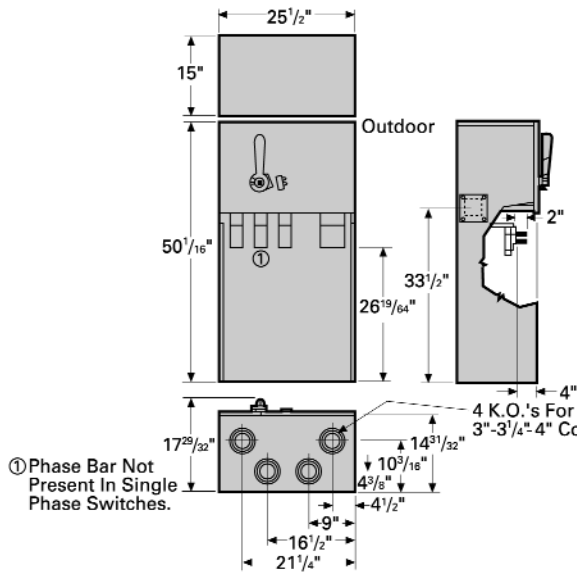


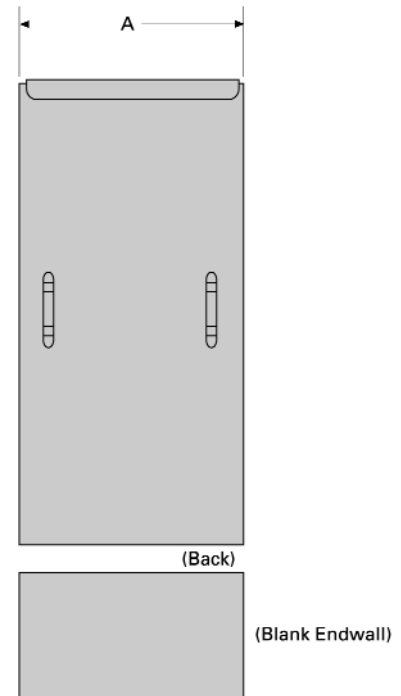
# Meter Centers

## Accessories

Ampere Rating	Phase	Catalog Number	Weight (lbs.)	Dimensions (inches)		
				H	W	D
<b>UNDERGROUND PULL BOX (Meets EUSERC Specifications)</b>						
400	1	<b>WMMB1400</b>	45	37-1/2	16-11/16	9-11/32
800	1	<b>WMMB1800</b>	90	45-1/2	19-7/16	12-23/32
1200	1	<b>WMMB1200</b>	130	47-1/2	25-15/16	12-23/32
400	3	<b>WMMB3400</b>	47	37-1/2	16-11/16	9-11/32
800	3	<b>WMMB3800</b>	92	45-1/2	25-15/16	12-23/32
1200	3	<b>WMMB31200</b>	132	47-1/2	33-27/32	12-23/32
<b>MAIN SWITCH WITH UNDERGROUND BOX EXTENSION (Meets EUSERC Specifications)</b>						
400	1	<b>WMS4UPBU</b>	160	50	25-1/2	15
400	3	<b>WMS44UPBU</b>	176	50	25-1/2	15
600	1	<b>WMS6UPBU</b>	165	50	25-1/2	15
600	3	<b>WMS64UPBU</b>	181	50	25-1/2	15
800	1	<b>WMS8UPBU</b>	165	50	25-1/2	15
800	3	<b>WMS84UPBU</b>	181	50	25-1/2	15



Catalog Number
Outdoor
WMS4UPBU
WMS44UPBU
WMS6UPBU
WMS64UPBU
WMS8UPBU
WMS84UPBU



Catalog Number	Dimensions (inches)				
	(A)	(B)	(C)	(D)	(E)
<b>WMMB1400</b>	16-11/16	9-11/32	37-1/2	22	10-1/8
<b>WMMB3400</b>	16-11/16	9-11/32	37-1/2	22	10-1/8
<b>WMMB1800</b>	19-7/16	12-22/32	45-1/2	26	14-1/8
<b>WMMB3800</b>	25-15/16	12-22/32	45-1/2	26	14-1/8
<b>WMMB1200</b>	25-15/16	12-22/32	47-1/2	26	16-1/8
<b>WMMB31200</b>	33-53/64	12-22/32	47-1/2	26	14-1/8

# fastfax

# SIEMENS

Siemens Energy & Automation, Inc. • 3333 Old Milton Parkway, Alpharetta, GA 30005 • 1-800-964-4114 • [www.sea.siemens.com/reselec](http://www.sea.siemens.com/reselec)

©2002 Siemens Energy & Automation, Inc. All Rights Reserved.

Siemens is a registered trademark of Siemens AG. Product names mentioned may be trademarks or registered trademarks of their respective companies.

Specifications are subject to change without notice