

# Meter Centers

## 200A Meter Modules - Ring Style

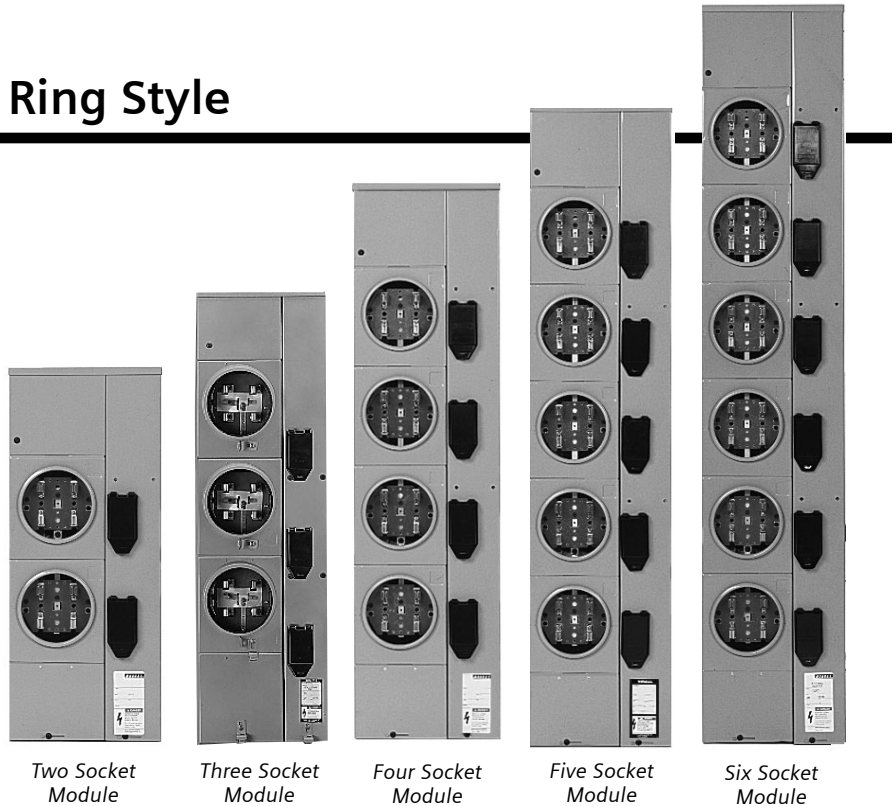
### FEATURES

Siemens Modular Metering can be adapted to almost every application in residential and commercial metering. Easy handling, fast installation, simplified layout, ordering and stocking were primary considerations in the design of this system.

The complete line can be furnished for single phase, three wire 120/240V AC; three phase, four wire 120/208V AC; or three phase, four wire 240V AC Delta Systems. All service entrance modules are listed by Underwriters' Laboratories under file #E10703.

Finish is ANSI #61 light gray enamel electrodeposited on phosphatized steel for indoor enclosures and zinc-coated G90 steel for outdoor enclosures. Siemens Modular Metering offers short circuit ratings up to 100,000A IR.

Eight basic modules are comprised in the line . . . circuit breaker, fusible switch, and tap box service entrance modules combined with two, three, four, five and six-socket meter modules.



Two Socket Module

Three Socket Module

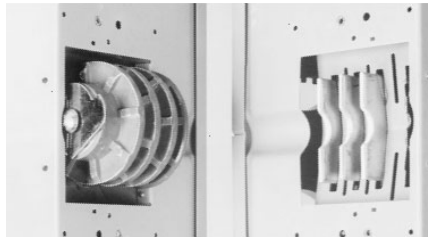
Four Socket Module

Five Socket Module

Six Socket Module

### Single Bolt Joint

The time-saving single bolt joint is an integral assembly of fiberglass-reinforced polyester insulators and conductor disks held in place by one high-strength bolt. Insulators are bevelled for easy positioning of the joint in order to connect modules.



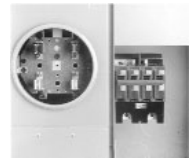
### Bus Construction

All bus is built-in for compactness. Unmetered bus is barriered and all inaccessible bus connections are welded. All other connections—joint stack and meter base—are bolted and accessible.



### Circuit Breaker Provisions

Each 125A or 200A (shown) meter socket has provision for a 2-pole plug-in circuit breaker immediately adjacent. Generous right-side gutter allows wiring from top or bottom, top-back (field cutting required) or bottom-back with easy access to each branch breaker.



### Rain Caps / Circuit Breaker Covers

All meter stacks are combination indoor/outdoor, Type 3R, with rain caps, and circuit breaker covers as well as gaskets.



Ampere Rating	Number Meter Sockets	Outdoor Enclosure Type 3R Catalog Number
<b>1 PHASE, 3 WIRE SN, INCOMING/OUTGOING, 120/240 VOLT AC</b> <b>200 AMPERE, 1 PHASE SOCKET</b> <b>Order Type QP or QPP Circuit Breakers</b>		
1200	2	<b>WMM2200U</b>
1200	3	<b>WMM3200U</b>
1200	4	<b>WMM4200U</b>
<b>3 PHASE, 4 WIRE SN, INCOMING</b> <b>1 PHASE, 3 WIRE SN, OUTGOING</b> <b>120/240 VOLT AC</b> <b>200 AMPERE, 1 PHASE SOCKET</b> <b>Order Type QP or QPP Circuit Breakers</b>		
1200	2	<b>WMM24AB200U</b>
1200	3	<b>WMM34200U</b>
1200	4	<b>WMM44AB200U</b> <b>WMM44BC200U</b> <b>WMM44CA200U</b>
1200	5	<b>WMM54AB200U</b> <b>WMM54BC200U</b> <b>WMM54CA200U</b>

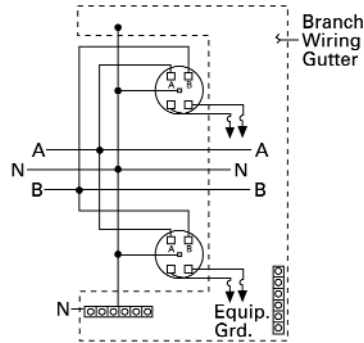
# fastfax

# SIEMENS

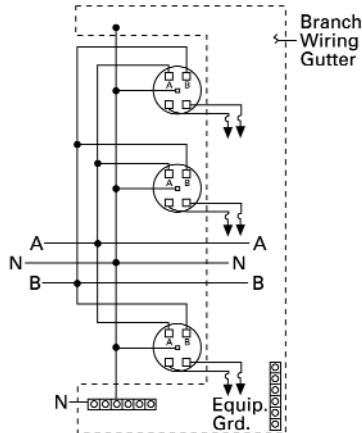
# 200A Meter Modules - Ring Style Wiring Diagrams

## OUTDOOR

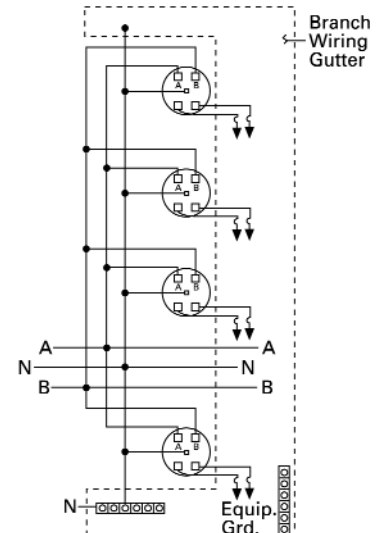
1 PHASE, 3 WIRE, INCOMING  
1 PHASE, 3 WIRE, OUTGOING



Catalog Number
Outdoor
WMM2200U



Catalog Number
Outdoor
WMM3200U



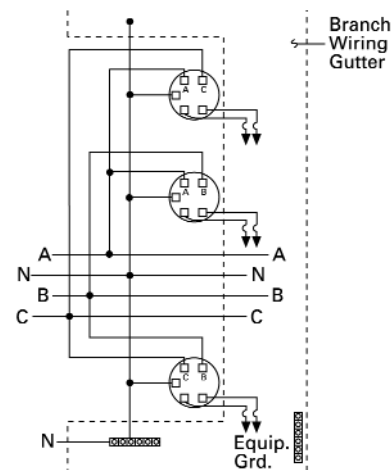
Catalog Number
Outdoor
WMM4200U

## OUTDOOR

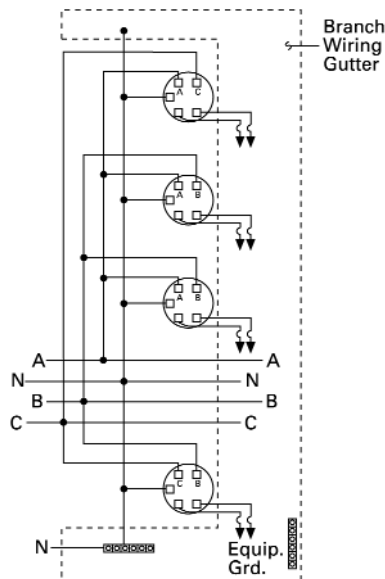
3 PHASE, 4 WIRE, INCOMING  
1 PHASE, 3 WIRE, OUTGOING

All 3 phase, 4 wire meter modules have the maximum possible degree of phase balancing. Single phase sockets are factory-connected to different phases for automatic load balancing.

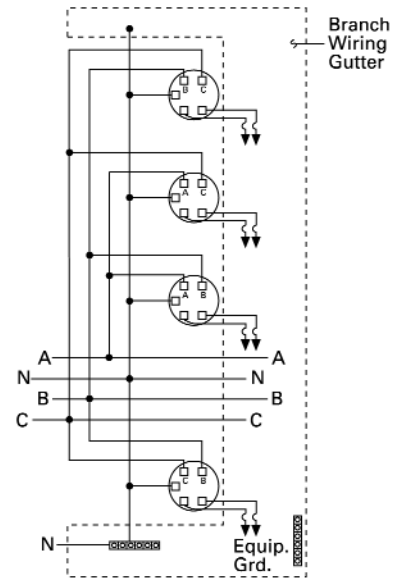
- 2-high modules—suffix indicates phases not used.
- 4-high modules—suffix indicates phase with two sockets.
- 5-high modules—suffix indicates phase with one socket in the module.



Catalog Number
Outdoor
WMM34200U



Catalog Number
Outdoor
WMM44ABU200U



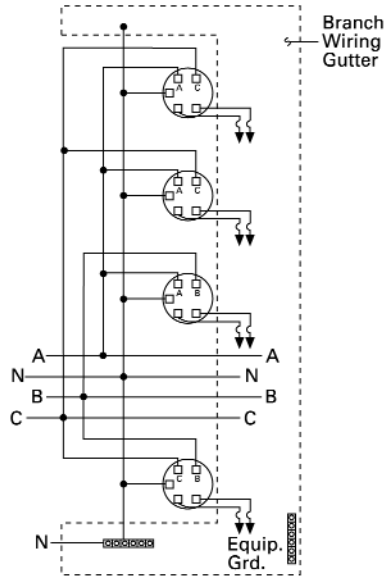
Catalog Number
Outdoor
WMM44BC200U

# 200A Meter Modules - Ring Style Wiring Diagrams

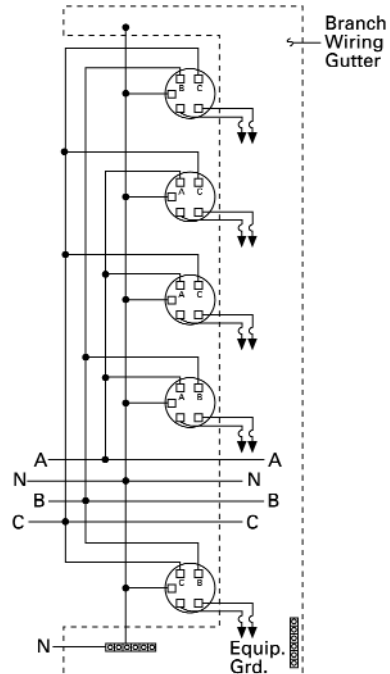
**OUTDOOR**  
**3 PHASE, 4 WIRE, INCOMING**  
**1 PHASE, 3 WIRE, OUTGOING**

All 3 phase, 4 wire meter modules have the maximum possible degree of phase balancing. Single phase sockets are factory-connected to different phases for automatic load balancing.

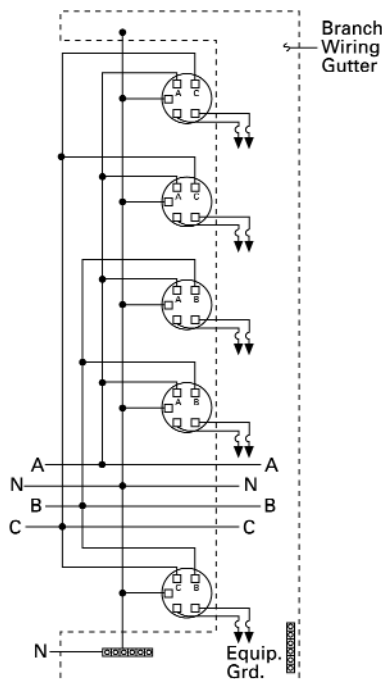
- 2-high modules—suffix indicates phases not used.
- 4-high modules—suffix indicates phase with two sockets.
- 5-high modules—suffix indicates phase with one socket in the module.



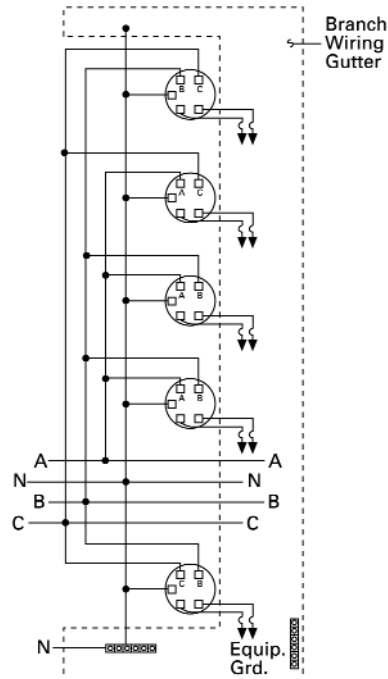
Catalog Number
Outdoor
WMM44CA200U



Catalog Number
Outdoor
WMM54AB200U



Catalog Number
Outdoor
WMM54BC200U



Catalog Number
Outdoor
WMM54CA200U

# 200A Meter Modules - Ring Style Knockout Diagram Dimensions (in inches)

