

# Meter Centers

## 125A Meter Modules - Ring Style

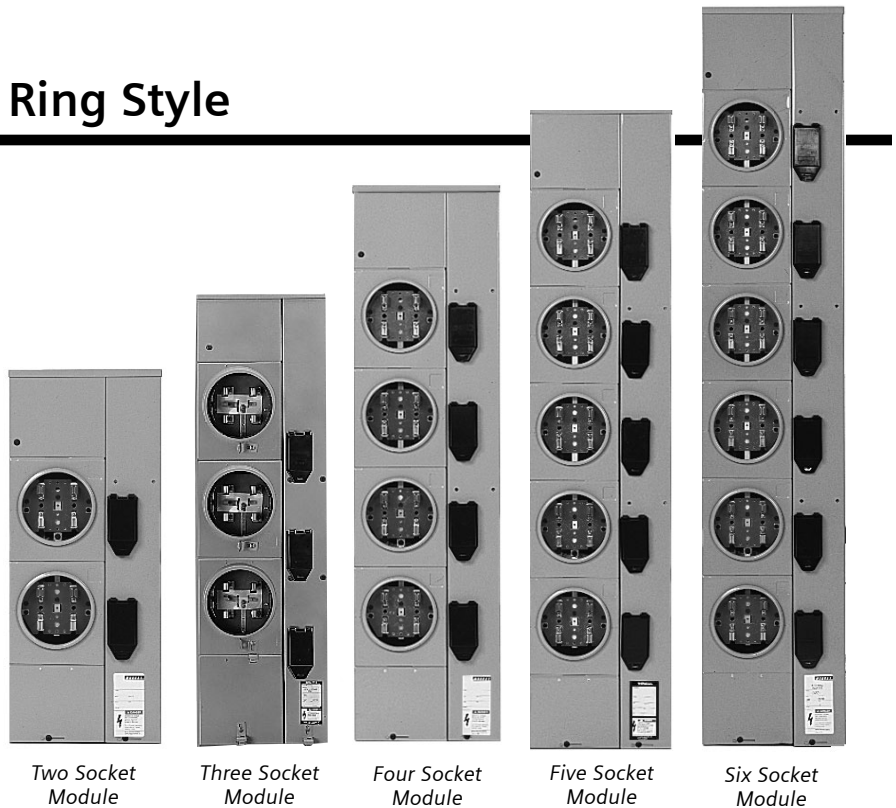
### FEATURES

Siemens Modular Metering can be adapted to almost every application in residential and commercial metering. Easy handling, fast installation, simplified layout, ordering and stocking were primary considerations in the design of this system.

The complete line can be furnished for single phase, three wire 120/240V AC; three phase, four wire 120/208V AC; or three phase, four wire 240V AC Delta Systems. All service entrance modules are listed by Underwriters' Laboratories under file #E10703.

Finish is ANSI #61 light gray enamel electrodeposited on phosphatized steel for indoor enclosures and zinc-coated G90 steel for outdoor enclosures. Siemens Modular Metering offers short circuit ratings up to 100,000A IR.

Eight basic modules are comprised in the line . . . circuit breaker, fusible switch, and tap box service entrance modules combined with two, three, four, five and six-socket meter modules.



Two Socket Module

Three Socket Module

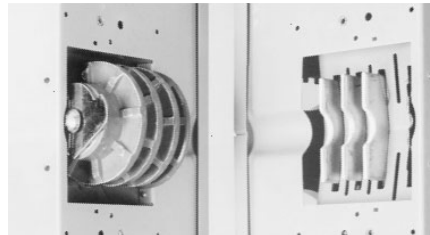
Four Socket Module

Five Socket Module

Six Socket Module

### Single Bolt Joint

The time-saving single bolt joint is an integral assembly of fiberglass-reinforced polyester insulators and conductor disks held in place by one high-strength bolt. Insulators are bevelled for easy positioning of the joint in order to connect modules.



### Bus Construction

All bus is built-in for compactness. Unmetered bus is barriered and all inaccessible bus connections are welded. All other connections—joint stack and meter base—are bolted and accessible.



### Circuit Breaker Provisions

Each 125A or 200A (shown) meter socket has provision for a 2-pole plug-in circuit breaker immediately adjacent. Generous right-side gutter allows wiring from top or bottom, top-back (field cutting required) or bottom-back with easy access to each branch breaker.



### Rain Caps / Circuit Breaker Covers

All meter stacks are combination indoor/outdoor, Type 3R, with rain caps, and circuit breaker covers as well as gaskets.



Ampere Rating	Number Meter Sockets	Outdoor Enclosure Type 3R Catalog Number
<b>1 PHASE, 3 WIRE SN, INCOMING / OUTGOING 120/240 VOLT AC 125 AMPERE, 1 PHASE SOCKET Order Type QP Circuit Breakers</b>		
1200	2	WMM2U
1200	3	WMM3U
1200	4	WMM4U
1200	5	WMM5U
1200	6	WMM6U
<b>3 PHASE, 4 WIRE SN, INCOMING 1 PHASE, 3 WIRE SN, OUTGOING 120/208 VOLT AC 125 AMPERE, 1 PHASE SOCKET Order Type QP Circuit Breakers</b>		
1200	3	WMM34U
1200	4	WMM44ABU WMM44BCU WMM44CAU
1200	5	WMM54ABU WMM54BCU WMM54CAU
1200	6	WMM64U

# fastfax

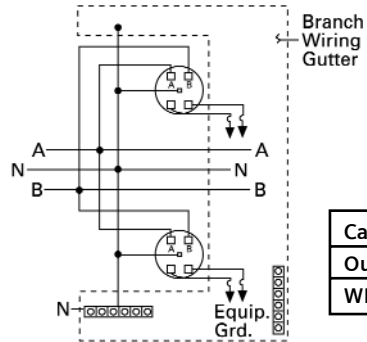
# SIEMENS

# 125A Meter Modules - Ring Style Wiring Diagrams

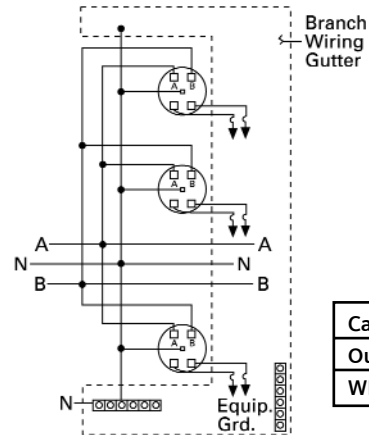
## OUTDOOR

1 PHASE, 3 WIRE, INCOMING

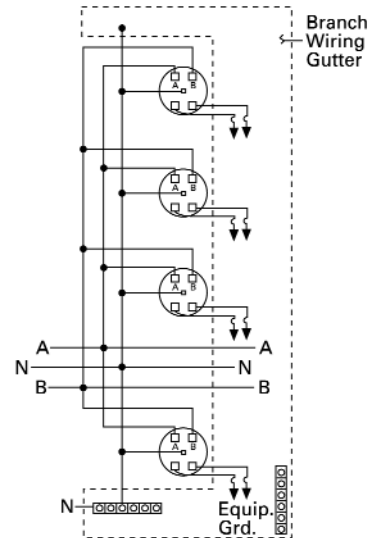
1 PHASE, 3 WIRE, OUTGOING



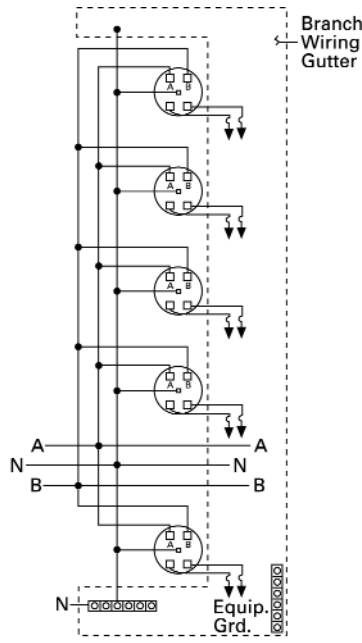
Catalog Number
Outdoor
WMM2U



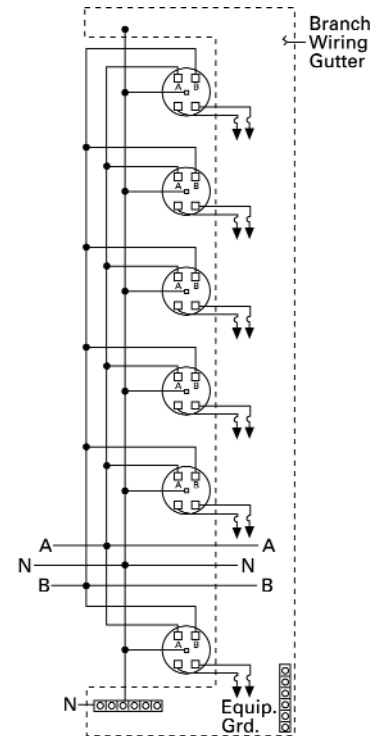
Catalog Number
Outdoor
WMM3U



Catalog Number
Outdoor
WMM4U



Catalog Number
Outdoor
WMM5U



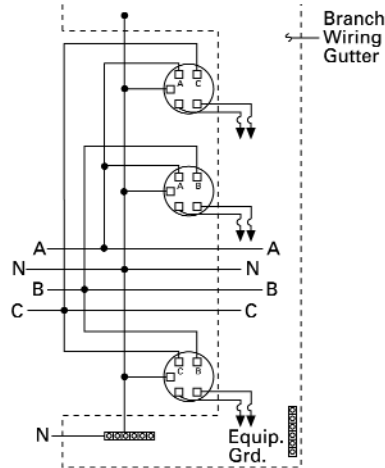
Catalog Number
Outdoor
WMM6U

# 125A Meter Modules - Ring Style Wiring Diagrams

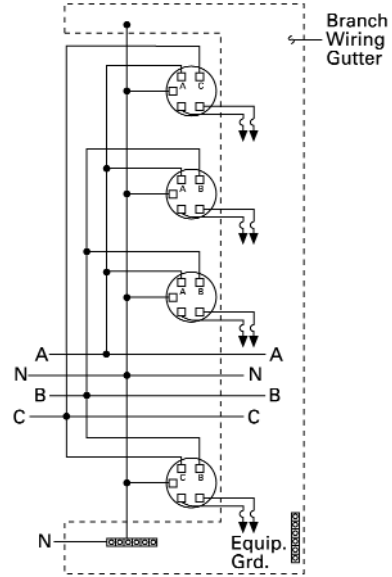
**OUTDOOR**  
**3 PHASE, 4 WIRE, INCOMING**  
**1 PHASE, 3 WIRE, OUTGOING**

All 3 phase, 4 wire meter modules have the maximum possible degree of phase balancing. Single phase sockets are factory-connected to different phases for automatic load balancing.

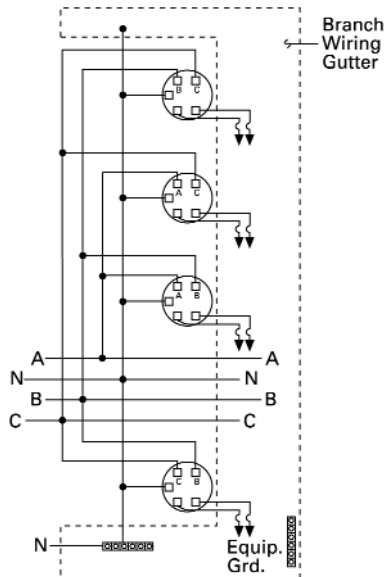
- 2-high modules—suffix indicates phases not used.
- 4-high modules—suffix indicates phase with two sockets.
- 5-high modules—suffix indicates phase with one socket in the module.



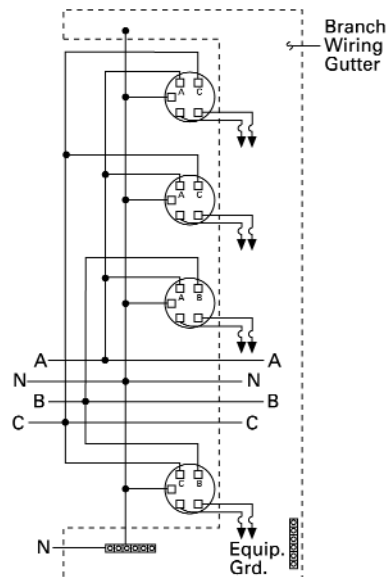
Catalog Number
Outdoor
WMM34U



Catalog Number
Outdoor
WMM44ABU



Catalog Number
Outdoor
WMM44BCU



Catalog Number
Outdoor
WMM44CAU

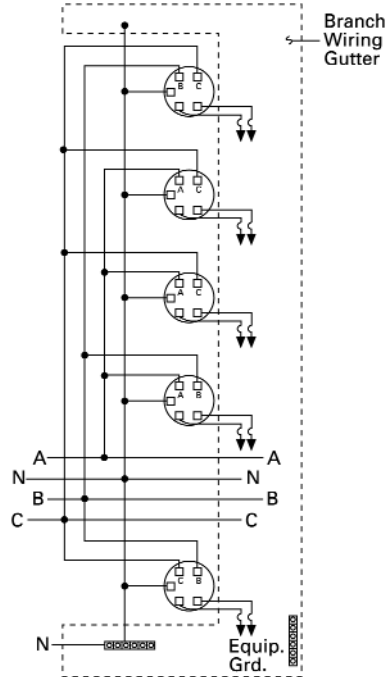
# 125A Meter Modules - Ring Style Wiring Diagrams

## OUTDOOR

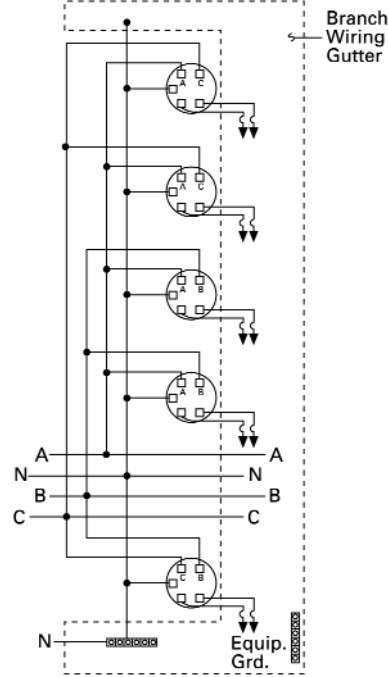
**3 PHASE, 4 WIRE, INCOMING**  
**1 PHASE, 3 WIRE, OUTGOING**

All 3 phase, 4 wire meter modules have the maximum possible degree of phase balancing. Single phase sockets are factory-connected to different phases for automatic load balancing.

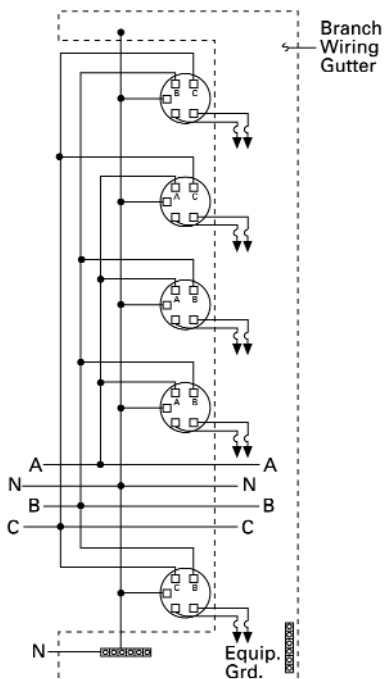
- 2-high modules—suffix indicates phases not used.
- 4-high modules—suffix indicates phase with two sockets.
- 5-high modules—suffix indicates phase with one socket in the module.



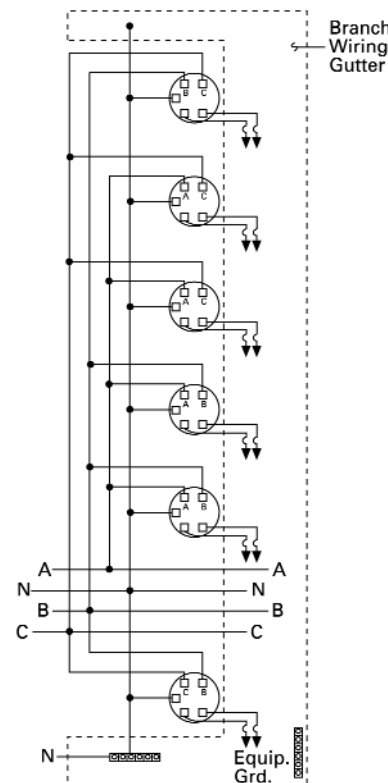
Catalog Number
Outdoor
WMM54ABU



Catalog Number
Outdoor
WMM54BCU

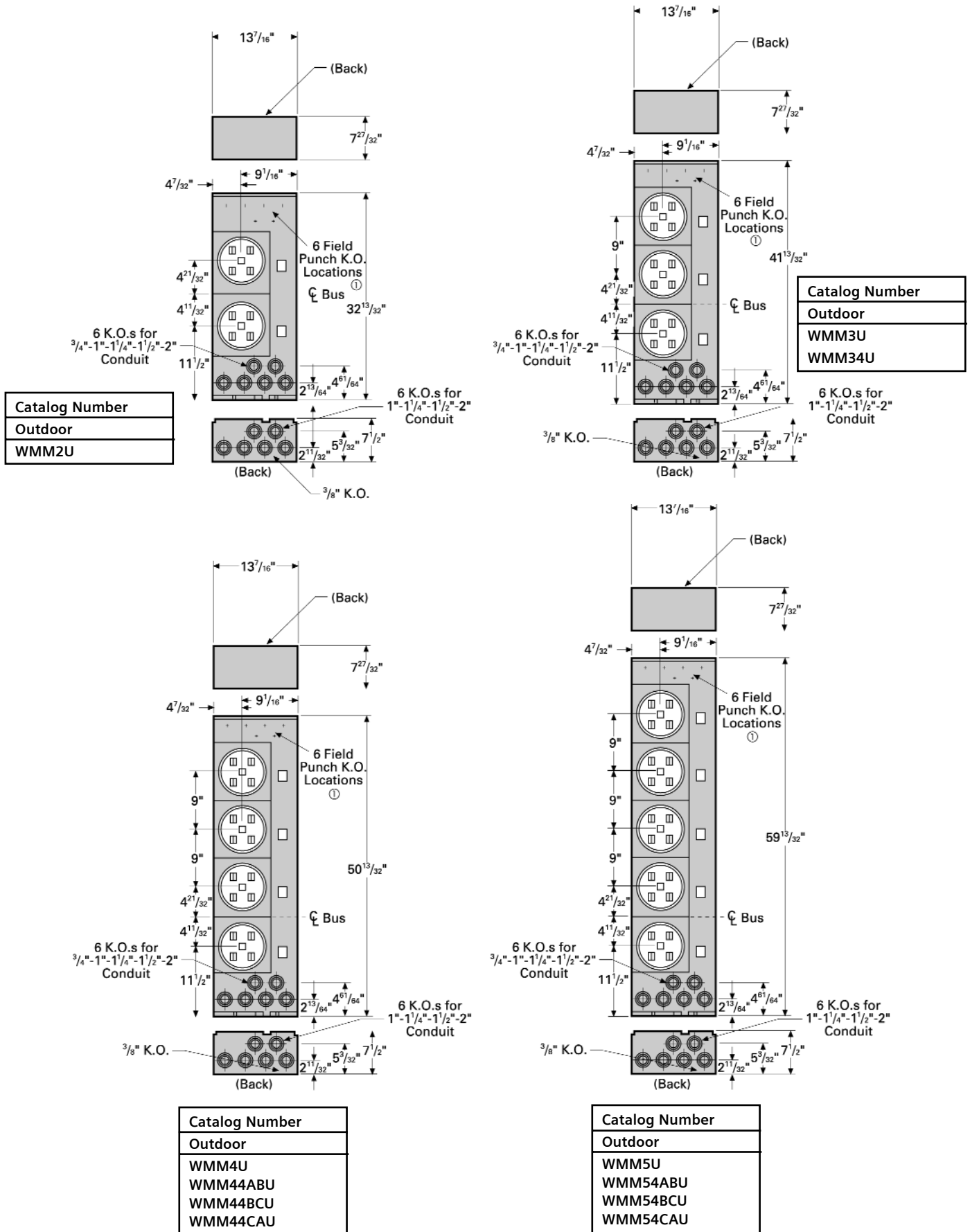


Catalog Number
Outdoor
WMM54CAU



Catalog Number
Outdoor
WMM64U

# 125A Meter Modules - Ring Style Knockout Diagram Dimensions (in inches)



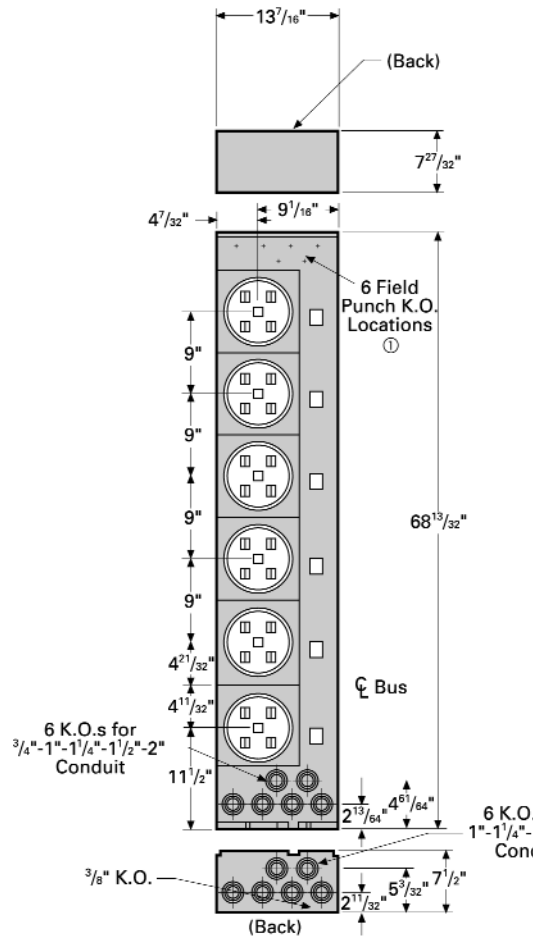
Catalog Number
Outdoor
WMM2U

Catalog Number
Outdoor
WMM3U
WMM34U

Catalog Number
Outdoor
WMM4U
WMM44ABU
WMM44BCU
WMM44CAU

Catalog Number
Outdoor
WMM5U
WMM54ABU
WMM54BCU
WMM54CAU

# 125A Meter Modules - Ring Style Knockout Diagram Dimensions (in inches)



Catalog Number
Outdoor
WMM6U
WMM64U