

EUSERC Meter/Load Center Combinations

Surface Mount (JC0406L1200SEC)

FEATURES

- UL Listed only for use as service entrance equipment
- NEMA Type 3R enclosure with painted, G90 galvanized steel
- 22,000A IC rating
- Overhead and Underground feed
- Ring style meter cover
- Tin plated copper bus bars
- 7" deep can
- Steel breaker mounting base pan
- *INSTA-WIRE* neutrals and grounds
- Visible neutrals and grounds
- Side-hinged load center door; requires the removal of only one screw to remove door
- Surface mounting
- Key hole shaped mounting holes for easy hanging
- Deadfront pull ring
- Captive deadfront screw
- See wiring diagram for lug sizes and torque data
- Main Breaker not included

ACCESSORIES

- Top end wall has type RX hub provisions:
 - EC38597 (1-1/4")
 - EC38598 (1-1/2")
 - EC38599 (2")
 - EC385600 (2-1/2")
- Bottom end wall has type HC hub provisions:
 - ECHC200 (2")
 - ECHC250 (2-1/2")
 - ECHC300 (3")
- Ground bar kits:
 - ECGB5, ECGB10, ECGB14 (check wiring diagram for limitations)
- 2/0 - #4 wire range Lug Kit: ECLK2
- 5th Jaw Assembly: EMC5J
- Mechanical Breaker Interlock: ECQML12
- Meter Socket Jumper: ECJS
- Filler Plate: QF3 or ECQF3



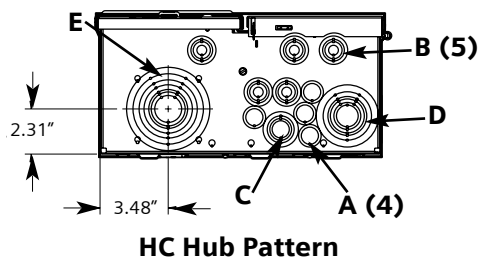
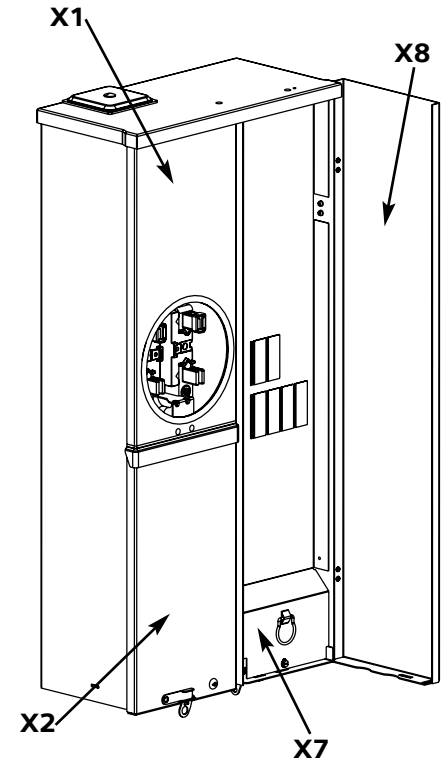
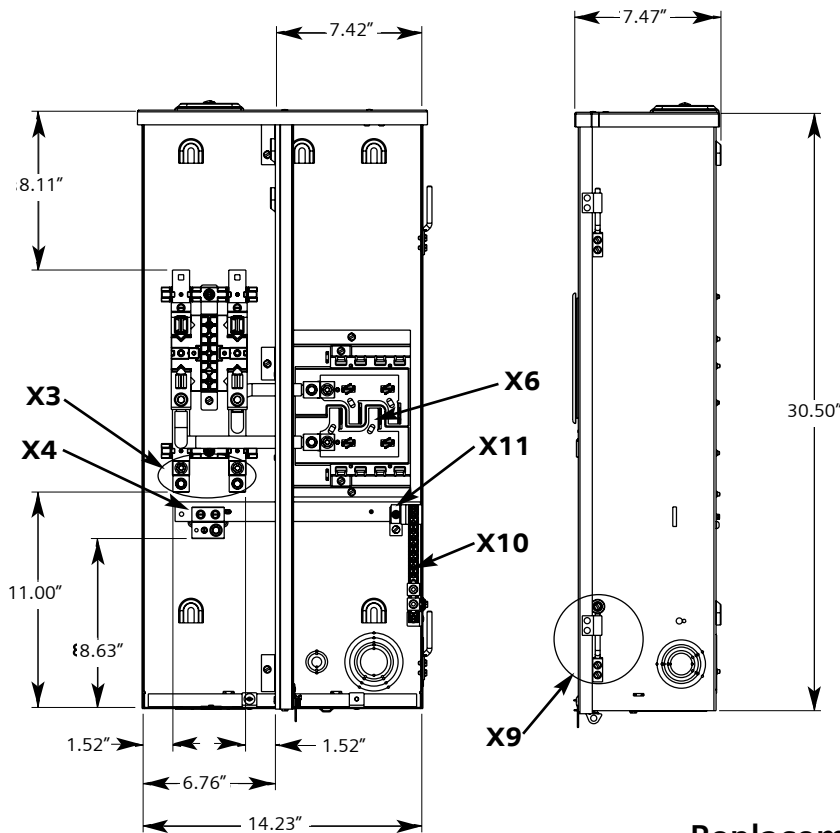
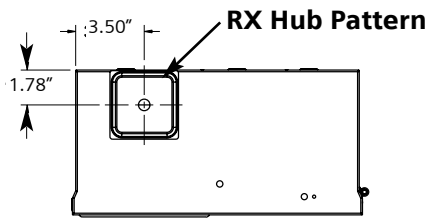
| Main Ampere Rating | Catalog Number | No. of Circuits | No. of Spaces |
|--------------------|----------------|-----------------|---------------|
| 200 | JC0406L1200SEC | 4 | 6 |

fastfax

MURRAY

EUSERC Meter/Load Center Combinations

Dimensions, Knockout Diagrams, Replacement Parts



Knockout Schedule

- A = 1/2"
- B = 1/2", 3/4"
- C = 1/2", 3/4", 1"
- D = 3/4", 1", 1-1/4", 1-1/2", 2"
- E = 1", 1-1/4", 1-1/2", 2", 2-1/2", 3"
- F = 1", 1-1/4", 1-1/2", 2", 2-1/2"
- G = 0.31" diameter Ground Wire K.O.

Replacement Parts

Replacement Parts are to be ordered as an "ITESA2 Special" using the descriptions following the X reference below:

| X Reference | Description | Part No. |
|-------------|--------------------------------|-------------------------------|
| X1 | Meter Cover | 5459623 |
| X2 | Pull Section Cover and Latch | 5459628, MO-11320, 55707-3 |
| X3 | Line Phase Lugs | 6519900 |
| X4 | Utility Neutral Lug | 6529980 |
| X5 | Main Breaker (field installed) | Type MP-T, MP-HT, MD-T, MD-HT |
| X6 | Load Center Interior | 8019959 |
| X7 | Deadfront | 5329542 |
| X8 | Load Center Door | 5459631, 1120010, 5819904 |
| X9 | Door Hinge Pin | 5819903 |
| X10 | Neutral Bar | 8029140 |
| X11 | Load Center Ground Lug | 67554 |