

# EUSERC Meter/Load Center Combinations

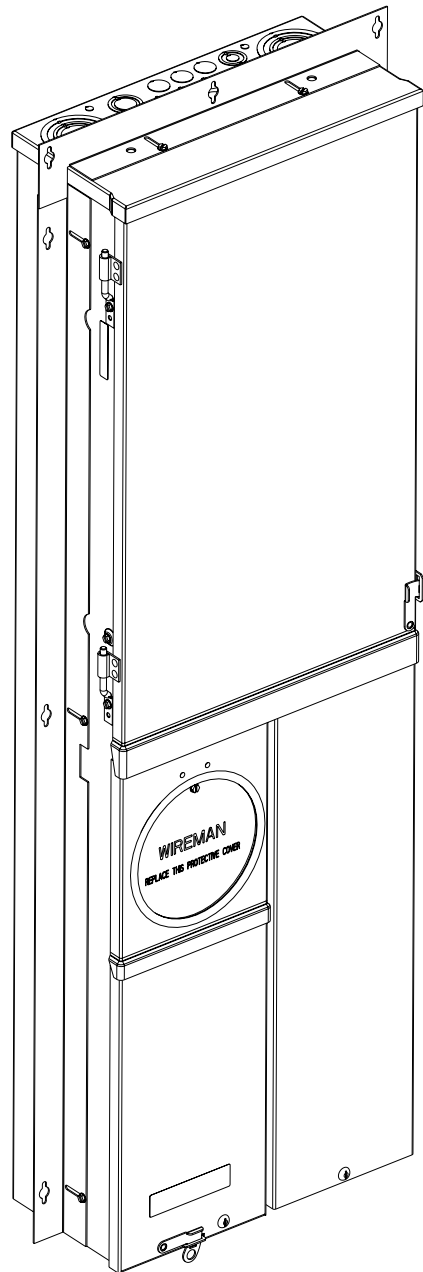
## Flush Mount (JA3042B1200FED and JA3042B1225FED)

### FEATURES

- UL Listed only for use as service entrance equipment
- NEMA Type 3R enclosure with painted, G90 galvanized steel
- 22,000A IC rating
- Underground feed only
- Ring style meter cover
- Tin plated copper bus bars
- 7" deep can
- Steel breaker mounting base pan
- INSTA-WIRE neutrals and grounds
- Visible neutrals and grounds
- Side-hinged load center door; requires the removal of only one screw to remove door
- Semi-flush mounting
- Adjustable flush rails for 2x4 or 2x6 installations
- Key hole shaped mounting holes for easy hanging
- Deadfront pull ring
- Captive deadfront screw
- See wiring diagram for lug sizes and torque data

### ACCESSORIES

- Bottom end wall has type HC hub provisions:
  - EHC200 (2")
  - EHC250 (2-1/2")
  - EHC300 (3")
- Ground bar kits:
  - ECGB5, ECGB10, ECGB14
  - (check wiring diagram for limitations)
- 2/0 - #4 wire range Lug Kit: ECLK2
- 5th Jaw Assembly: EMC5J
- Mechanical Breaker Interlock: ECQML12
- Meter Socket Jumper: ECJS
- Filler Plate: QF3 or ECQF3



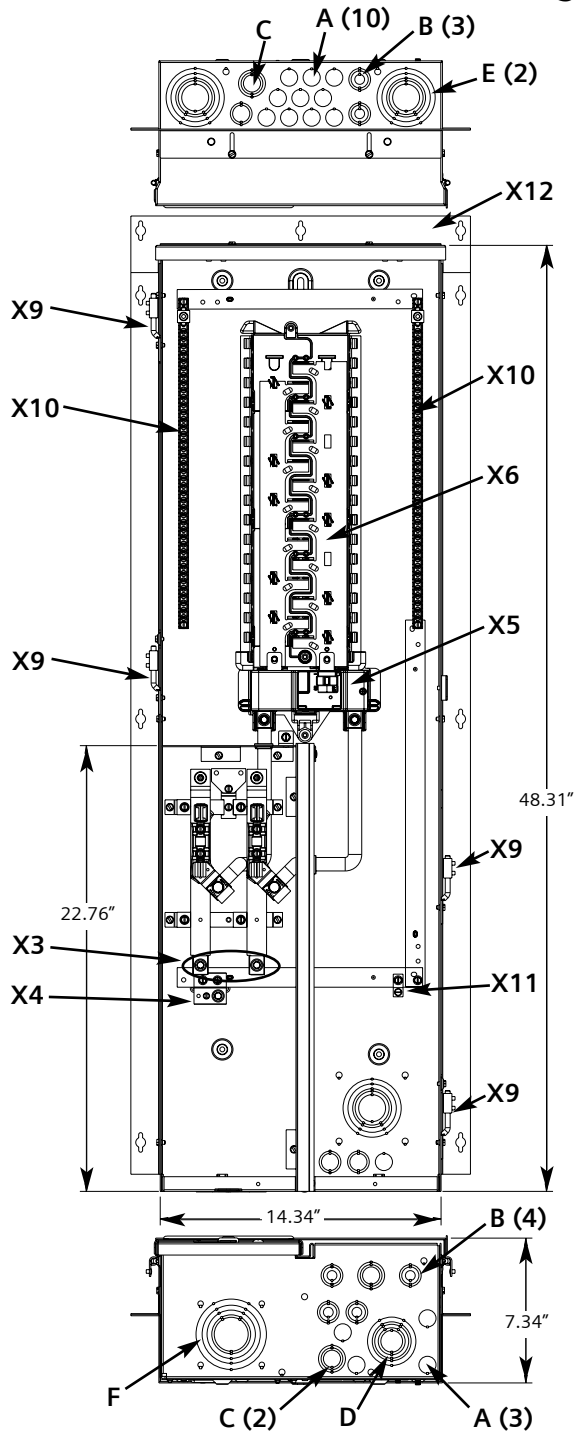
| Main Ampere Rating | Catalog Number | No. of Circuits | No. of Spaces |
|--------------------|----------------|-----------------|---------------|
| 200                | JA3042B1200FED | 30              | 42            |
| 225                | JA3042B1225FED | 30              | 42            |

**fastfax**

**MURRAY**

# EUSERC Meter/Load Center Combinations

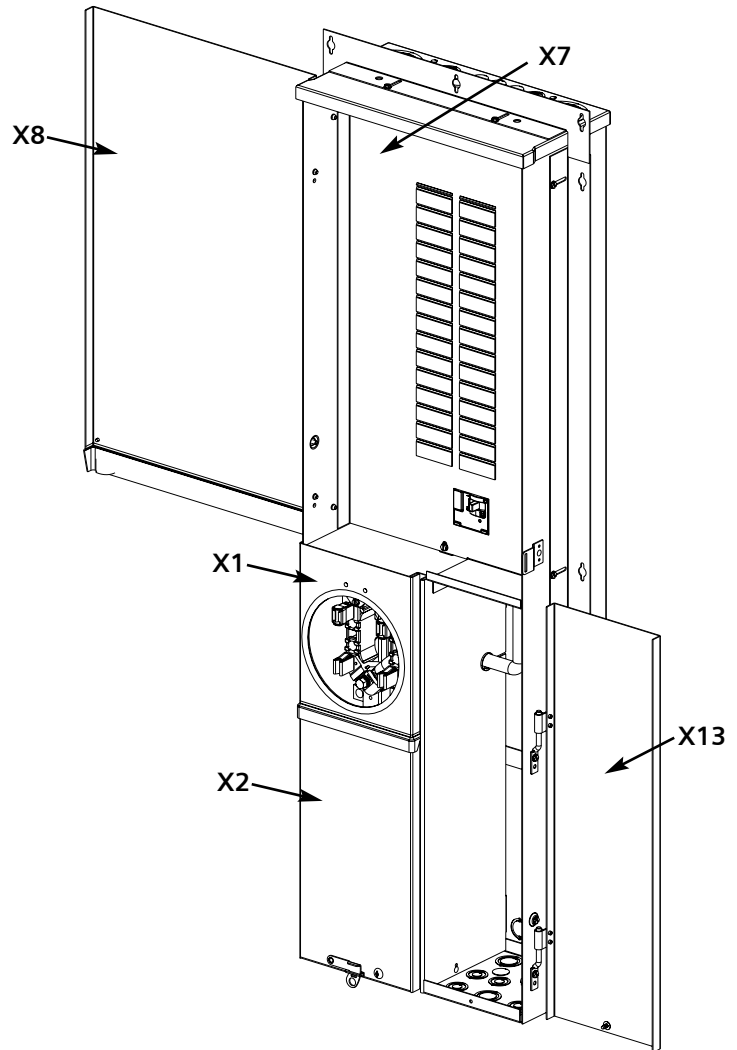
Dimensions, Knockout Diagrams, Replacement Parts



HC Hub Pattern

## Knockout Schedule

- A = 1/2"
- B = 1/2", 3/4"
- C = 1/2", 3/4", 1"
- D = 3/4", 1", 1-1/4", 1-1/2", 2"
- E = 1", 1-1/4", 1-1/2", 2", 2-1/2"
- F = 1-1/4", 1-1/2", 2", 2-1/2", 3"
- G = 0.31" diameter Ground Wire K.O.



## Replacement Parts

Replacement Parts are to be ordered as an "ITESA2 Special" using the descriptions following the X reference below:

| X Reference | Description                  | Part No.         |
|-------------|------------------------------|------------------|
| X1          | Meter Cover                  | 5459646          |
| X2          | Pull Section Cover and Latch | 5459648          |
| X3          | Line Phase Lugs              | 6519920          |
| X4          | Utility Neutral Lug          | 6529980          |
| X5          | Main Breaker                 | MBK200M          |
| X6          | Load Center Interior         | 8019941          |
| X7          | Deadfront                    | 5329572          |
| X8          | Load Center Door             | 5459644          |
| X9          | Door Hinge Pin               | 5819903, 5819904 |
| X10         | Neutral Bar                  | 8029147          |
| X11         | Load Center Ground Lug       | 36503            |
| X12         | Flush Rails                  | 5619942, 5619943 |
| X13         | Load Pull Section Door       | 5459647          |

Murray Electrical Products  
Siemens Energy & Automation, Inc.  
3333 Old Milton Parkway  
Alpharetta, GA 30005

1-800-964-4114  
[www.murrayconnect.com](http://www.murrayconnect.com)

©2005 Siemens Energy & Automation, Inc. All Rights Reserved. Siemens is a registered trademark of Siemens AG. Murray is a registered trademark of Siemens Energy & Automation, Inc. Product names mentioned may be trademarks or registered trademarks of their respective companies. Specifications are subject to change without notice.