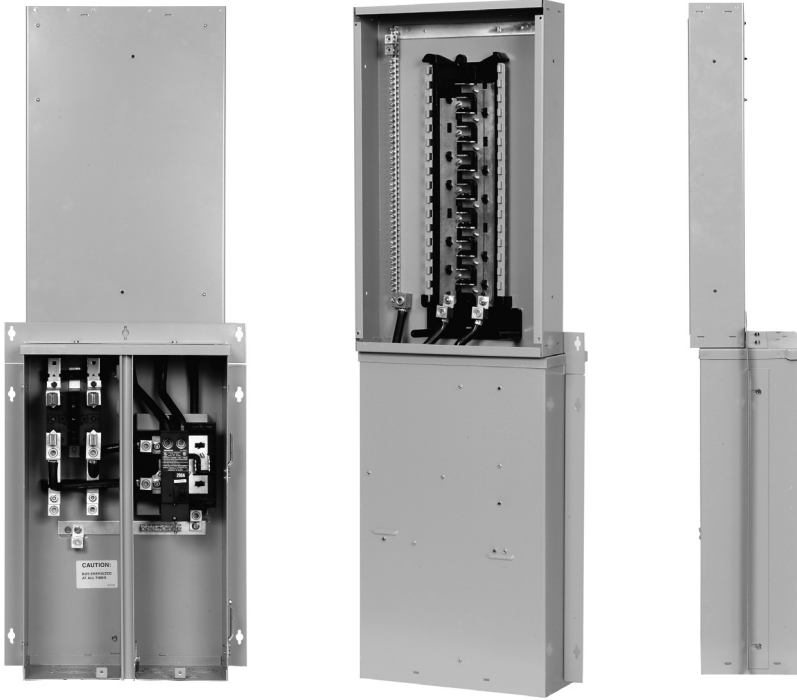


Back-to-Back Meter Load Center Combinations



| Main ① Ampere Rating | Main Breaker | Auxiliary Ampere Rating Max. | Additional Disconnect Breaker | KAIC | Catalog Number | Meter Main | | Load Center | |
|----------------------------|-----------------|------------------------------------|-------------------------------------|------|-------------------|-----------------------|--------------------|------------------|--------------------|
| | | | | | | ② No. of Spaces | No. of Circuits | No. of Spaces | No. of Circuits |
| 200 | MD-HT | 50 | MP-T, MP-HT | 22 | JA2442B1250FE2 | 2 | 1 | 24 | 42 |
| 200 | MD-HT | 50 | MP-T, MP-HT | 22 | JA3042B1250FE2 | 2 | 1 | 30 | 42 |

① Factory-installed main breaker.

② Field-installed second main breaker limited to 2-pole 15-50 Amp type MP-T or MP-HT breakers.

Meter Main Features

- Factory-installed 200A main breaker
- Space for a field-installed 50A (max.) additional breaker
- NEMA Type 3R enclosure with painted, G90 galvanized steel
- 22,000A IC Rated
- Meets EUSERC requirements
- Copper bussing standard
- Side-hinge door, easily removable
- Underground service entrance, HC hubs on bottom endwall

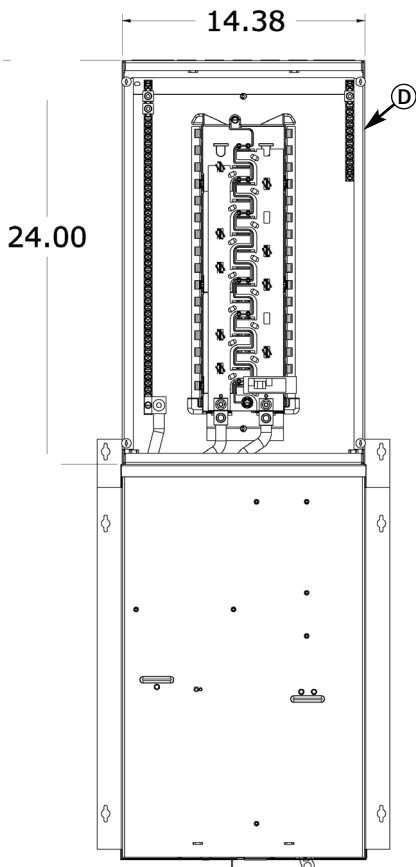
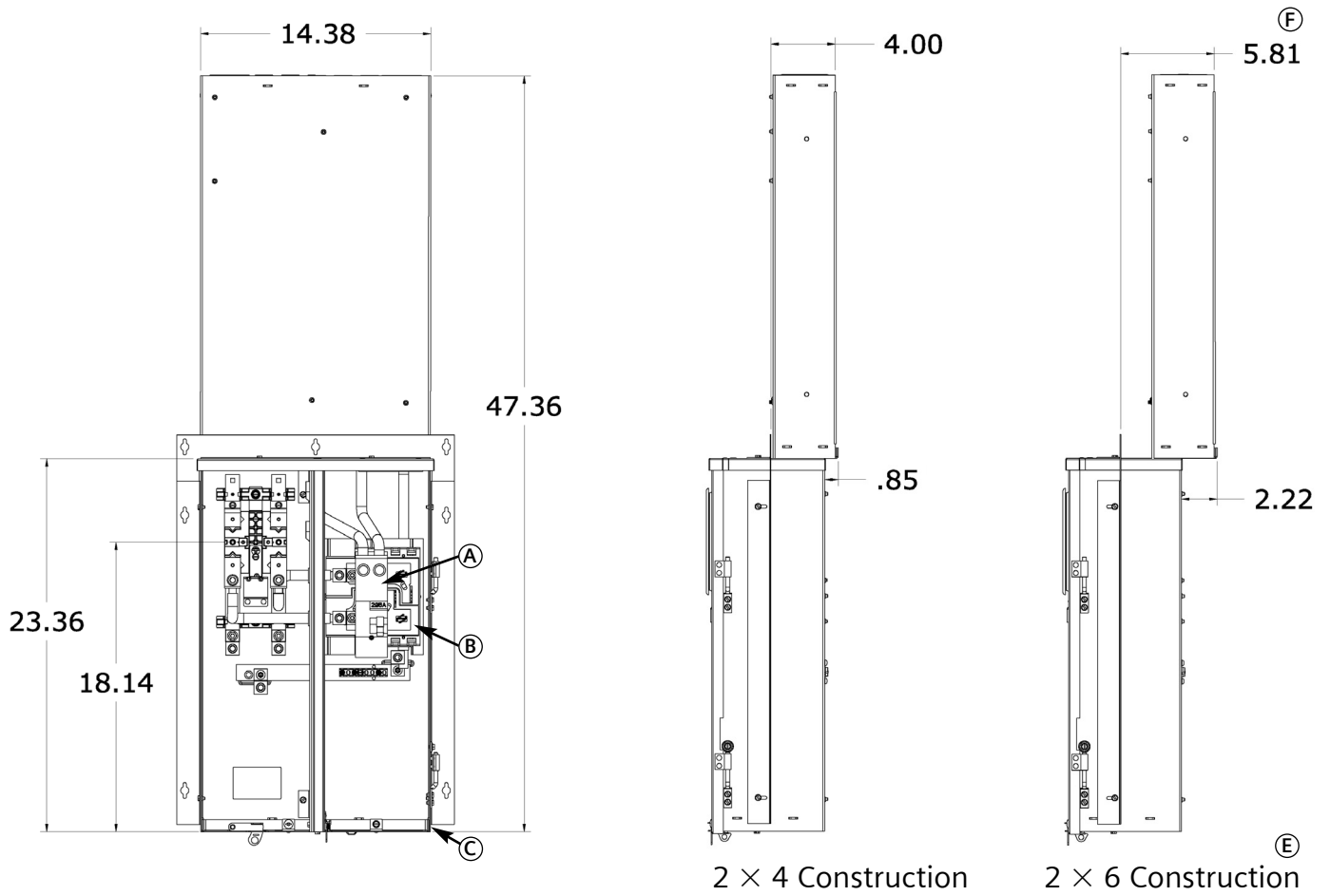
Load Center Features

- INSTA-WIRE® neutrals, grounds and circuit breakers provide quick conductor installation
 - Visible neutrals aid in conductor installation
 - Combination slot/square head screws
 - Copper bussing standard
 - Lifetime warranty on factory installed circuit breakers ①
 - Trim mounting tabs free up both hands to install the trim
 - The ground bars in the load center are UL accepted for multiple ground conductors ②
 - Load centers do not have fire ratings for use in firewalls
- ① Excluding AFCI, GFCI, and surge breakers.
② See the wiring diagram on the panel door for the latest product information

fastfax

MURRAY

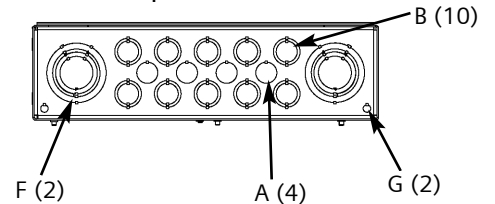
Back-to-Back Meter Load Center Combinations Diagrams



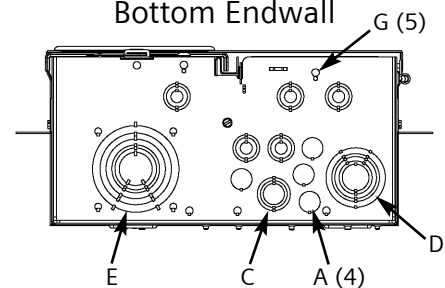
| KNOCKOUTS (inches): | |
|---------------------|---------------------------------|
| A: | 1/2 |
| B: | 1/2, 3/4 |
| C: | 1/2, 3/4, 1 |
| D: | 3/4, 1, 1-1/4, 1-1/2, 2 |
| E: | 1, 1-1/4, 1-1/2, 2, 2-1/2, 3 |
| F: | 1, 1-1/4, 1-1/2, 2 |
| G: | 0.31" diameter ground wire K.O. |

- (A) Factory-installed 200A main breaker
- (B) Space for a field-installed 50A (max.) additional breaker
- (C) Meter main
- (D) Load center
- (E) Adjustable flush rails
- (F) Can depth for 2 x 6 stud applications

Top Endwall



Bottom Endwall



Back-to-Back Meter Combinations

electriCenter Load Center Accessories

| Description | Catalog Number | Std. Pkg. | Shp.Wt. (lbs/std) |
|---|----------------|-----------|-------------------|
| Filler Plates | | | |
| – for branch breakers and 150-225A main breaker opening (2 required for 150-225A main breaker opening) | ECQF3 | 100 | .25 |
| – for 100 and 125A main breaker opening | ECMBF125 | 25 | .25 |
| Load Center Trim Screw (order quantity of 1 equals bag with 6 screws) Reference hole in enclosure | ECTS2 | 100 | 6 |
| Circuit Directory Card (42 circuit) self-adhesive | ECCP1 | 100 | 1 |
| Neutral Lug Kits | | | |
| – Wire Range #2 - 1/0 AWG Cu/Al | ECLK1-2 | 50 | |
| – Wire Range #4 - 2/0 AWG Cu/Al | ECLK2 | 50 | 2 |
| – Wire Range #1 - 300 MCM Cu/Al | ECLK3 | 10 | 2 |
| Collar Straps | | | |
| – Wire Range #14-1/0 AWG Cu/Al, for use with ground bar only | ECCS1 | 50 | 2 |
| – Wire Range #6 WG-250 kcmil Cu/Al, for use with ground bar only | ECCS2 | 50 | 2 |
| Ground Bar Kits | | | |
| – 5 position, Cu/Al Wire Range – #4-14 | ECGB5 | 20 | 2 |
| – 10 position, Cu/Al Wire Range – #4-14 | ECGB10 | 20 | 2 |
| – 14 position, Cu/Al Wire Range – #4-14 | ECGB14 | 20 | 2 |
| – 20 position, Cu/Al Wire Range – #4-14 | ECGB20 | 20 | 2 |
| – 10 position, Cu/Al Wire Range – #4-14, plus 1 position #14-1/0 Cu/Al | ECGB101 | 20 | 4 |
| – 14 position, Cu/Al Wire Range – #4-14, plus 1 position #14-1/0 Cu/Al | ECGB141 | 20 | 4 |
| – 20 position, Cu/Al Wire Range – #4-14, plus 1 position #14-1/0 Cu/Al | ECGB201 | 20 | 4 |
| – 14 position, Cu/Al Wire Range – #4-14, plus 1 position #6-2/0 Cu/Al | ECGB142 | 20 | 4 |
| – 20 position, Cu/Al Wire Range – #4-14, plus 1 position #6-2/0 Cu/Al | ECGB202 | 20 | 4 |
| Lug Kits, 2-pole | | | |
| – Wire Range – #3-1 AWG Cu, #1/0 AWG Al, subfeed or feed-thru applications | ECLK2125 | 1 | .25 |
| – Wire Range – #14-2/0 Cu, #8-3/0 Al, subfeed or feed-thru applications | ECLK2150 | 1 | .25 |
| – Wire Range – #1-300 mcm Cu/Al, subfeed or feed-thru applications | ECLK2225 | 1 | .25 |
| Hubs | | | |
| - Bottom end wall HC Type hub provision (2") | ECHC200 | | |
| - Bottom end wall HC Type hub provision (2-1/2") | ECHC250 | | |
| - Bottom end wall HC Type hub provision (3") | ECHC300 | | |
| 2/0 - #4 wire range lug kit | ECLK2 | | |
| 5th jaw assembly | EMC5J | | |
| Mechanical breaker interlock | ECQML12 | | |
| Meter socket jumper | ECJS | | |
| Filler plate | QF3 or ECQF3 | | |