

# SIEMENS Indoor Load Center

Catalog Number **G3030L1200** Series - Enclosure Type 1  
**G3030L1200CU**

RATINGS: 200A MAXIMUM - SEE MAIN BREAKER RATING IF USED.  
 BACK-FED BREAKER REQUIRES HOLD-DOWN KIT ECMBR2.  
 120/240 V~, 60 HZ, 1Ø 3W  
 208Y/120 V~, 60 HZ, 1Ø 3W

FOR INSTALLATION BY A QUALIFIED PERSON IN ACCORDANCE WITH ALL LOCAL ELECTRICAL CODES AND/OR THE NATIONAL ELECTRICAL CODE ®.

**SUITABLE FOR USE AS SERVICE EQUIPMENT WHEN MAIN BREAKER IS INSTALLED.** WHEN USED AS SERVICE EQUIPMENT, APPLY "SERVICE DISCONNECT" LABEL TO FRONT NEXT TO MAIN BREAKER HANDLE.

WHEN USED AS SERVICE EQUIPMENT, UNUSED NEUTRAL BAR TERMINALS MAY BE USED TO TERMINATE EQUIPMENT GROUNDING WIRES IN THE COMBINATIONS INDICATED FOR EQUIPMENT GROUND BAR TERMINALS.

IF THE NEUTRAL TIE STRAP IS REMOVED, LUG KIT ECLKB1 MUST BE INSTALLED AND BONDED. THE LEFT NEUTRAL BAR WILL BECOME THE EQUIPMENT GROUND.

TO RESET BREAKERS WITH TRIPPED HANDLE POSITION BETWEEN "ON" AND "OFF", MOVE HANDLE TO "OFF" THEN TO "ON".

REMOVE TWISTOUTS FROM TRIM ONLY WHERE BREAKERS WILL BE INSTALLED. ALL OPENINGS MUST BE FILLED WITH BREAKERS OR FILLER PLATES. USE TWO QF3 FILLER PLATES TO FILL 150-225A MAIN BREAKER OPENING.

THIS LOAD CENTER IS INVERTIBLE FOR BOTTOM FEED APPLICATIONS.

Siemens Energy & Automation, Inc. Alpharetta, Georgia U.S.A. **J2** 4099521 Rev.D

**IMPORTANT:** DO NOT ALLOW PETROLEUM BASED (HYDROCARBON) SPRAYS, CHEMICALS, SOLVENTS OR ANY PAINT TO CONTACT INTERIOR COMPONENTS. PETROLEUM BASED CHEMICALS CAN CAUSE DEGRADATION OF ELECTRICAL INSULATING MATERIALS.

**⚠ DANGER**  
 Hazardous Voltage.  
 Will cause death, serious injury or substantial property damage.  
 Turn off power supplying this equipment before working inside.



**⚠ PELIGRO**  
 Voltaje peligroso. Causará la muerte, lesiones graves o daño substancial a la propiedad.  
 Desconecte el suministro de energía a este equipo antes de trabajar en su interior.

### SHORT CIRCUIT CURRENT RATING

THIS PANELBOARD HAS A MAXIMUM SHORT CIRCUIT CURRENT RATING OF 100,000 AMPS RMS SYMMETRICAL, 120/240V~. THE ACTUAL RATING IS DEPENDENT ON THE BRANCH BREAKERS INSTALLED IN THIS PANELBOARD AND THE MAIN/FEEDER BREAKER, IF ANY, INSTALLED AHEAD OF THIS PANELBOARD. THE CORRECT MAIN BREAKER/FEEDER/MAN BREAKER/PANELBOARD MAIN BREAKER/BRANCH BREAKER SERIES COMBINATIONS TO BE USED ARE LISTED IN THE TABULATION BELOW. ANY CIRCUIT BREAKER INSTALLED, REPLACED, OR ADDED IN THIS PANELBOARD MUST BE MANUFACTURED BY SIEMENS AND MUST BE OF THE CORRECT TYPE AS INDICATED IN THE TABULATION BELOW. USE OF OTHER CIRCUIT BREAKERS IN THIS EQUIPMENT WILL VOID THE WARRANTY.

MAIN BREAKER	FEEDER/MAIN BREAKER AND THE BREAKER PROTECTING THIS PANELBOARD IS A SIEMENS TYPE	PANELBOARD MAIN AND THE INSTALLED MAIN BREAKER IN THIS PANELBOARD IS A SIEMENS TYPE	BRANCH BREAKER AND THE BRANCH BREAKERS INSTALLED ARE SIEMENS TYPE	THEN THE MAX. SHORT CIRCUIT CURRENT RATING IN RMS SYMMETRICAL AMPS, 120/240 V~ IS
NONE USED	QN, QNR	NONE USED OR EQ8693, EQ8695, OR QP	QP, QPH, HQP, QPF, QPHF, QPF, QE, QEH, QAF, QAFH, QNR, QNRH, HQNR	10,000
NONE USED OR SIEMENS BREAKER TYPES FD6(A), FXD6(A), HFD6, HFXD6, JXD2(A), JD6(A), JXD6(A), HJD6(A), HJXD6(A), LD6(A), LXD6(A), HLD6(A), HLXD6(A), MD6, MXD6, HMD6, HMXD6, ND6, NXD6, HND6, HNXD6, PD6, PXD6, HPD6, HFXD6, RD6, RXD6, HRD6, HFXD6, OR CLASS J, T, R OR L FUSES	NONE USED OR QPMH	EQ8693, EQ8695 OR QPH	QP, QPH, HQP, QPF, QPHF, QE, QEH, QAF, QAFH, QNR, QNRH, HQNR	22,000
NONE USED	QNH, QNRH	NONE USED OR EQ8693 OR EQ8695	QP, QPH, HQP, QPF, QPHF, QE, QEH, QAF, QAFH, QNR, QNRH, HQNR	42,000
NONE USED OR SIEMENS BREAKER TYPES FD6(A), FXD6(A), HFD6, HFXD6, JXD2(A), JD6(A), JXD6(A), HJD6(A), HJXD6(A), LD6(A), LXD6(A), HLD6(A), HLXD6(A), MD6, MXD6, HMD6, HMXD6, ND6, NXD6, HND6, HNXD6, PD6, PXD6, HPD6, HFXD6, RD6, RXD6, HRD6, HFXD6, OR CLASS J, T, R OR L FUSES	QJ2H	NONE USED	QP, QPH, HQP, QPF, QPHF, QE, QEH, QAF, QAFH, QNR, QNRH, HQNR	65,000
NONE USED	HQPP, HQN, HQNR	NONE USED	HQP, HQNR	100,000
NONE USED OR SIEMENS BREAKER TYPES HFD6, HFXD6, HJD6(A), HJXD6(A), HLD6(A), HLXD6(A), HMD6, HMXD6, HND6, HNXD6, HPD6, HFXD6, HRD6, HFXD6, OR CLASS J, T, R OR L FUSES	HQPPH	NONE USED OR EQ8693 OR EQ8695	QP, QPH, HQP, QPF, QPHF, QE, QEH, QAF, QAFH	100,000
NONE USED	HQJ2H	NONE USED		

‡ THIS PANELBOARD IS A MAIN LUG DEVICE THAT MAY BE CONVERTED TO MAIN BREAKER WITH THE ADDITION OF FIELD INSTALLED MAIN BREAKER KIT OR A MAIN BREAKER DEVICE THAT MAY BE CONVERTED TO MAIN LUG WITH THE ADDITION OF MAIN LUGS. SEE ACCESSORY TABLE FOR CATALOG NUMBERS OF APPROPRIATE KITS.

DESCRIPTION	CAT. NO.
150 AMP MAIN BREAKER	MBK150A
200 AMP MAIN BREAKER	MBK200A
150-225 AMP MAIN LUG	ECMLK225

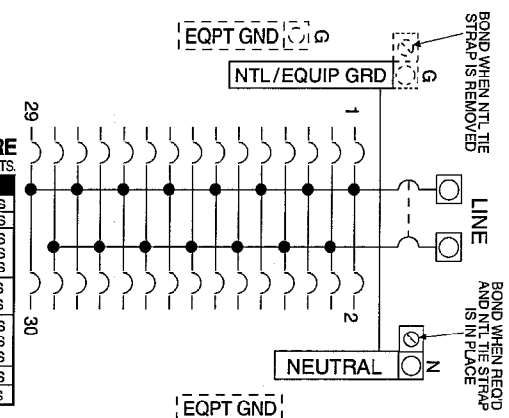
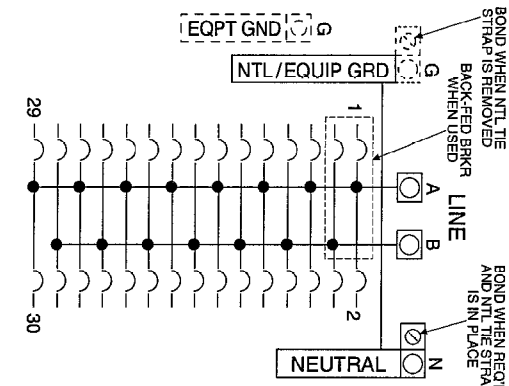
DESCRIPTION	CAT. NO.
DOOR LOCK	ECQFL2
FILLER PLATE, 1"	QF3
BREAKER HOLD-DOWN	ECMBR2
BONDABLE GROUND LUG	ECLKB1
SUBFEED LUG KIT	ECLK2125, ECLK2150, ECLK2225
STANDBY PWR INTERLOCK KITS:	
ECSPBK01, ECSPBK02, ECSPBK03, ECSPBK05, ECSPBK06, ECSPBK07	

### USE COPPER OR ALUMINUM 60°/75°C WIRE

SEE BREAKER MARKINGS FOR WIRE SIZE AND TORQUE REQUIREMENTS.

TERMINALS	WIRE	TORQUE
A, B, N	300 kcmil - 4 AWG	275 LB-INS
G	20-4 AWG	110 LB-INS
NEUTRAL/GROUND BARS (USE TYPE GB GROUND BAR KIT ACCESSORY)	10-14 CU/10-12 AL 8 AWG 6-4 AWG	20 LB-INS 25 LB-INS 35 LB-INS
GROUND CONDUCTORS ONLY	(2)or(3) 14 AWG (2) 12-10 AWG	20 LB-INS 20 LB-INS
ECLK1-2 NEUTRAL LUG KIT	20-2 AWG	45 LB-INS
ECLK2 NEUTRAL LUG KIT	20-4 AWG	135 LB-INS
ECLK3 NEUTRAL LUG KIT	300 KCMIL - 1 AWG	340 LB-INS
MAIN LUG/MAN BRKR TO BUS CONNECTION (1/4-20 NUT)		45 LB-INS
BONDING SCREW		45 LB-INS

Assembled in Mexico  
 © 2006 Copyright Siemens Energy & Automation, Inc.  
 © The National Electrical Code is a registered trademark of the National Fire Protection Association.



COLOR: PMS485 (RED)

PRINT COLOR: BLACK EXCEPT AS SHOWN

MATERIAL: FASSON UL LITHO 40FS-7305G (SPEC# 10254)

ALTERNATE MAT'L: 60# FASSON CRACK'N'PEEL PLUS, UNCOATED OFFSET, SUPER PERMANENT ADHESIVE WITH 83# LINER

DESIGN RESPONSIBILITY LOCATION:  
**SEA-NORCROSS**  
 PRINT DISTRIBUTION  
 ECN COPIES MUST BE ISSUED TO ALL CHECKED LOCATIONS FOR APPROVAL PRIOR TO CHANGE

SEA-TUC  SEA-DRM  McPHER  
 SEA-NOR  DUR-LEB  CHOICE  
 SEA-EL  DUR-HOU  IC-ASY  
 SEA-IT2  SEA-BEL  \*

1st ARTICLE	EDR NO.	REV	DATE	DESCRIPTION	BY	UNLESS OTHERWISE SPECIFIED DIMENSIONS ARE IN INCHES	-CONFIDENTIAL- PROPERTY OF Siemens Energy & Automation, Inc. Residential Products Division			
						TOLERANCES: .XX ±.12 .XXX HOLE DIAMETER ±.005 ANGULAR UNDIMENSIONED 90° ANGLES ±0°30'	<b>WIRING DIAGRAM</b>			
						DWN KAM DATE 10/5/01 CHK CDH DATE 10/5/01				
						APVD CDH DATE 10/5/01	SCALE 1:1	DO NOT SCALE DRAWING	SHEET 1 OF 1	