

SIEMENS

Rainproof Combination Metering

Catalog Number

MM0406L1200SEC
MM0406L1200FEC

Panelboard Rating:

200 Amps, Max; 120/240 Volts ~, 1 phase, 3 wire; 208Y/120 Volts ~, 1 phase, 3 wire
(Derived from 3 phase - 4 wire system With 5th Jaw Assembly installed)

Meter Socket Rating: 200 Amps Continuous

Suitable Only For Use As Service Equipment

For Overhead or Underground Service

Use 60/75° C Copper or Aluminum Conductor in

Terminals A1, B1, A2, B2, N1, N2, and G1.

Line terminals A1 and B1 are installed for underground service entry as shown in the wiring diagram. For overhead entry, reposition wire connectors from A1 and B1 to A2 and B2. Torque the sems nut to 40-45 lb in.

Unused neutral branch terminals may be used to terminate equipment grounding wires in the combinations indicated for equipment ground bar terminals.

General Information:

Circuit breaker trip position is indicated by handle position midway between ON and OFF. To reset, move handle to OFF position then turn ON. For installation by Qualified Person in accordance with all local electrical codes and/or the National Electrical Code.®

Terminal	Wire Size	Torque
A1, B1, A2, B2	250 Kcmil - #4	250 lb. in.
N1	250 Kcmil - #4	250 lb. in.
G1, N2	2/0 - #14	50 lb. in.
Branch Breaker Terminals	See Markings on Breaker	
Neutral Bar	#10 - #14 CU #10 - #12 AL #8 #6 - #4	20 lb. in. 20 lb. in. 25 lb. in. 35 lb. in.
Ground Bar Conductors only	(2) or (3) #14 (2) #12 - #10	20 lb. in. 20 lb. in.

If hub is required, use the catalog numbers listed below (for Surface mount devices only):

Trade size (in)	Catalog number
AX Type Hub (top endwall)	
1 1/4"	EC38597
1 1/2"	EC38598
2"	EC38599
2 1/2"	EC38600
HC Type Hub (bottom endwall)	
2"	ECHC200
2 1/2"	ECHC250
3"	ECHC300

Ground Bars:

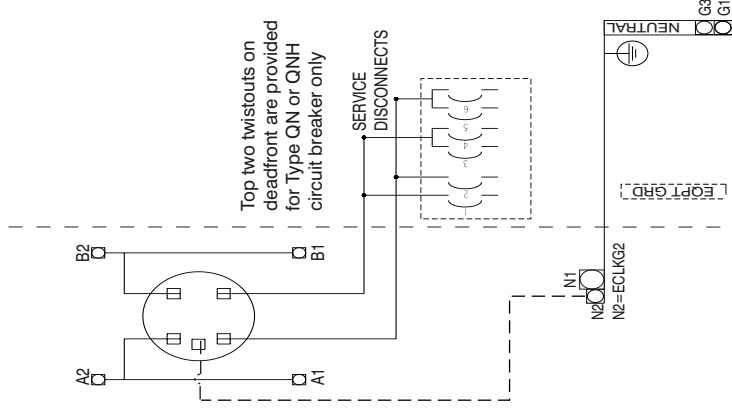
Catalog #	Taps
ECGB5	5
ECGB10	10
ECGB14	14

Accessories:

Filler Plate	QF3 or ECQF3
5 th Jaw Assembly	EMC5J
Mechanical Interlock	ECQML12
Meter Socket Jumper	ECJS

Short Circuit Current Rating (Withour Meter not included in short circuit rating)

This panelboard has a maximum short circuit current rating of 22,000 Amps RMS symmetrical, 120/240 V~. The actual rating is equal to the lowest interrupting rating of any installed circuit breakers. Any circuit breaker installed, replaced, or added in this panelboard must be manufactured by Siemens. This equipment has been designed for use only with Siemens Type QN, QNH, QP, QPH, QT, QPF, QPHF, QE, QEH, QAF, and QAFH circuit breakers. Use of other circuit breakers in this equipment will void the warranty.



Siemens Energy & Automation, Inc. Alpharetta, Georgia U.S.A.

MANUFACTURING DATE: J2

4099851 REV. B

Important Do not spray or allow any petroleum based chemicals, solvents, or paint to contact interior components.

®The National Electrical Code is a registered trademark of the National Fire Protection Association.

©2004 Copyright Siemens Energy & Automation, Inc.

ASSEMBLED IN MEXICO