

# SIEMENS

## Rainproof Combination Metering

Catalog Number  
**MM0406L1125SEC**  
**MM0406L1125FEC**

Enclosure  
Type 3R

Panelboard Rating:  
125 Amps, Max; 120/240 Volts ~, 1 phase, 3 wire; 208Y/120 Volts ~, 1 phase, 3 wire  
(Derived from 3 phase - 4 wire system With 5th Jaw Assembly installed)

Meter Socket Rating: 125 Amps Continuous

**Suitable Only For Use As Service Equipment**

**For Overhead or Underground Service**

**Use 60/75° C Copper or Aluminum Conductor in**

Terminals A1, B1, A2, B2, N1, N2, and G1.

Line terminals A1 and B1 are installed for underground service entry as shown in the wiring diagram. For overhead entry, reposition wire connectors from A1 and B1 to A2 and B2. Torque the sems nut to 40-45 lb in.

Unused neutral branch terminals may be used to terminate equipment grounding wires in the combinations indicated for equipment ground bar terminals.

General Information:

Circuit breaker trip position is indicated by handle position midway between ON and OFF. To reset, move handle to OFF position then turn ON. For installation by Qualified Person in accordance with all local electrical codes and/or the National Electrical Code.®

| Terminal                   | Wire Size                                     | Torque   |
|----------------------------|---|--|
| A1, B1, A2, B2             | 2/0 - #4                                      | 110 lb. in.  |
| N1                         | 2/0 - #4                                      | 110 lb. in.  |
| G1, N2                     | 2/0 - #14                                     | 50 lb. in.   |
| Branch Breaker Terminals   | See Markings on Breaker                       |  |
| Neutral Bar                | #10 - #14 CU<br>#10 - #12 AL<br>#8<br>#6 - #4 | 20 lb. in.<br>20 lb. in.<br>25 lb. in.<br>35 lb. in. |
| Ground Bar Conductors only | (2) or (3) #14<br>(2) #12 - #10               | 20 lb. in.<br>20 lb. in.                             |

| Trade size (in)              | Catalog number |
|------------------------------|----------------|
| AX Type Hub (top endwall)    |                |
| 1 1/4"                       | EC38597        |
| 1 1/2"                       | EC38598        |
| 2"                           | EC38599        |
| 2 1/2"                       | EC38600        |
| HC Type Hub (bottom endwall) |                |
| 2"                           | ECHC200        |
| 2 1/2"                       | ECHC250        |
| 3"                           | ECHC300        |

If hub is required, use the catalog numbers listed below (for Surface mount devices only):

### Ground Bars:

| Catalog # | Taps |
|-----------|------|
| ECGB5     | 5    |
| ECGB10    | 10   |
| ECGB14    | 14   |

### Accessories:

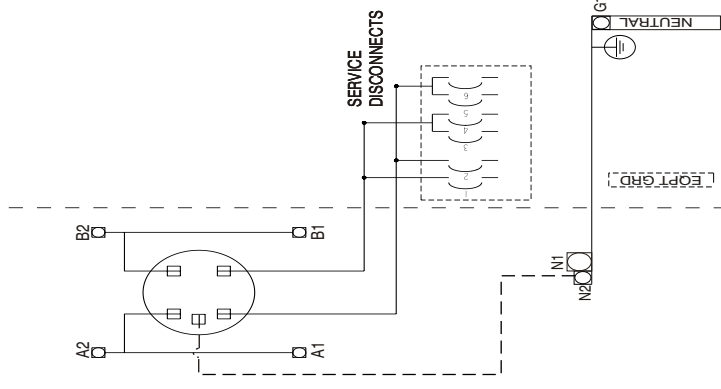
|                              |              |
|------------------------------|--------------|
| Filler Plate                 | QF3 or ECQF3 |
| 5 <sup>th</sup> Jaw Assembly | EMC5J        |
| Mechanical Interlock         | ECQML12      |
| Meter Socket Jumper          | ECJS         |

### Lug Kits:

| Catalog # | Wire Range | Torque    |
|-----------|------------|-----------|
| ECLK2     | 2/0 - #4   | 135 lb in |
| ECLKG2    | 2/0 - #14  | 50 lb in  |

Short Circuit Current Rating (Withour Meter not included in short circuit rating)

This panelboard has a maximum short circuit current rating of 22,000 Amps RMS symmetrical, 120/240 V~. The actual rating is equal to the lowest interrupting rating of any installed circuit breakers. Any circuit breaker installed, replaced, or added in this panelboard must be manufactured by Siemens. This equipment has been designed for use only with Siemens Type QP, QPH, QT, QPF, QPHF, QE, QEH, QAF, and QAFH circuit breakers. Use of other circuit breakers in this equipment will void the warranty.



Siemens Energy & Automation, Inc. Alpharetta, Georgia U.S.A.

MANUFACTURING DATE: J2

4099847 REV. C

**Important** Do not spray or allow any petroleum based chemicals, solvents, or paint to contact interior components.

®The National Electrical Code is a registered trademark of the National Fire Protection Association.

©2004 Copyright Siemens Energy & Automation, Inc.

**ASSEMBLED IN MEXICO**