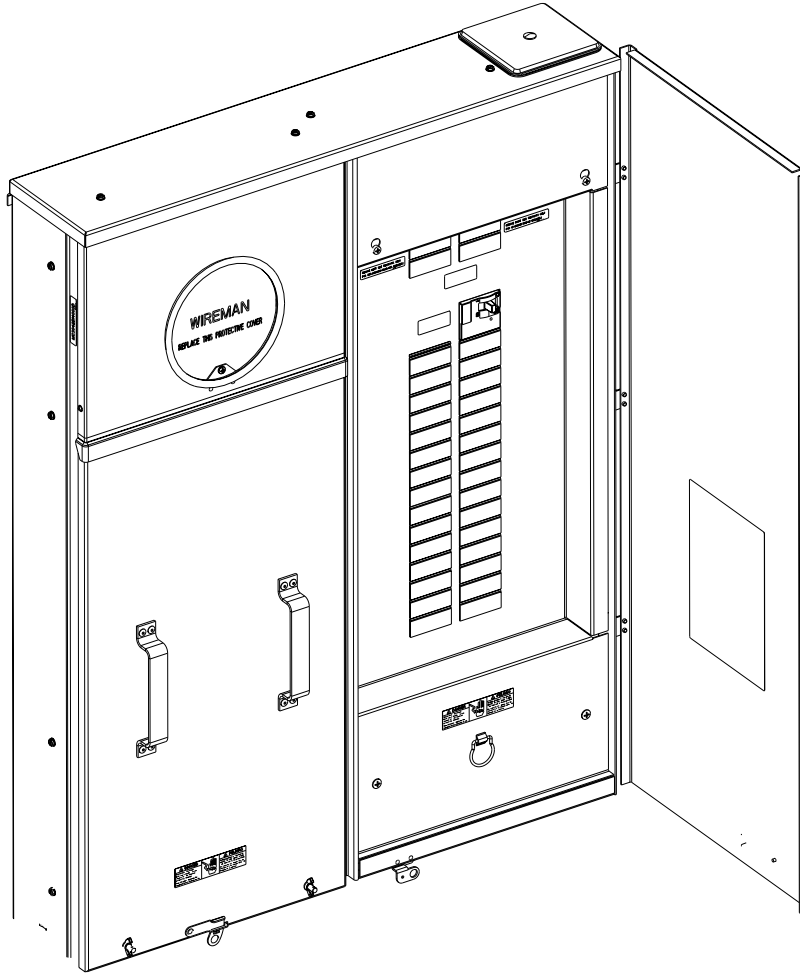


Meter/Load Center Combinations

MC3040MB21/MC3040MB22



Features

- UL Listed only for use as service entrance equipment
- 22,000 AIC rating
- Underground feed only
- EUSERC approved
- 200A factory installed main breaker
- Plug-in meter socket / ring type
- Uses HV type hub
- Provisions for up to 100A (MC3040MB21) and 150 or 200A (MC3040MB22) field installed secondary main
- Steel breaker mounting base pan
- Side-hinged load center door
- Surface mount
- Semiflush mounting available with addition of flush rail kit

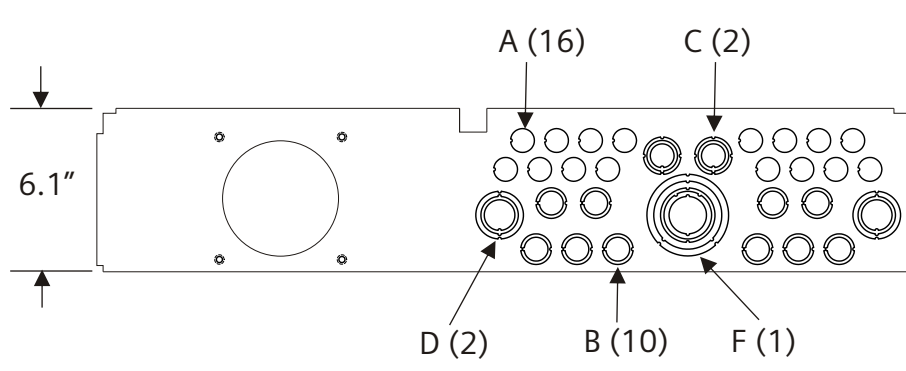
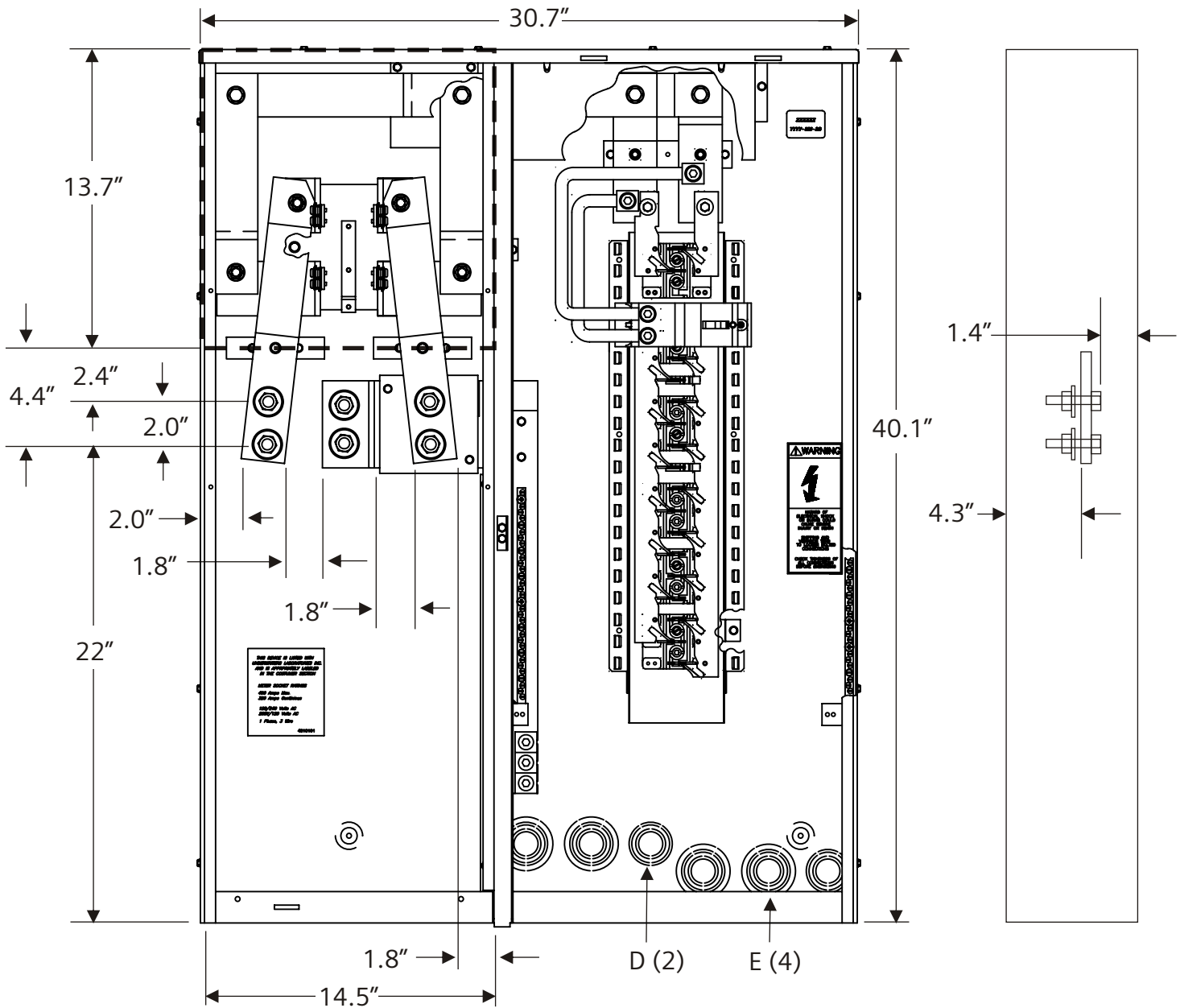
Accessories

- 1" Filler Plates - ECQF3
- Flush Rail Kit - FRK30X40
- HV Hub Provisions -
 - ECHV200 (2")
 - ECHV250 (2.5")
 - ECHV300 (3")
 - ECHV350 (3.5")
 - ECHV400 (4")

Amps Max	Socket Rating	No. Of Spaces	No. Of Circuits	Catalog Number	Feed	Main Type	Field Added Main Provisions	Bypass Type
300	320	30	40	MC3040MB21	UG	QNH	QP (100A max)	None
400	320	30	40	MC3040MB22	UG	QNH	QN (200A max)	None

fastfax

SIEMENS



- ### Knockout Schedule
- A = 1/2"
 - B = 1/2", 3/4"
 - C = 1/2", 3/4", 1"
 - D = 3/4", 1", 1-1/4"
 - E = 3/4", 1", 1-1/4", 1-1/2", 2"
 - F = 1", 1-1/4", 1-1/2", 2", 2-1/2"